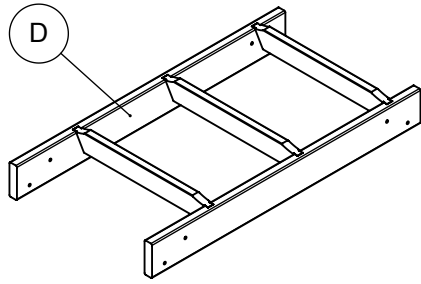
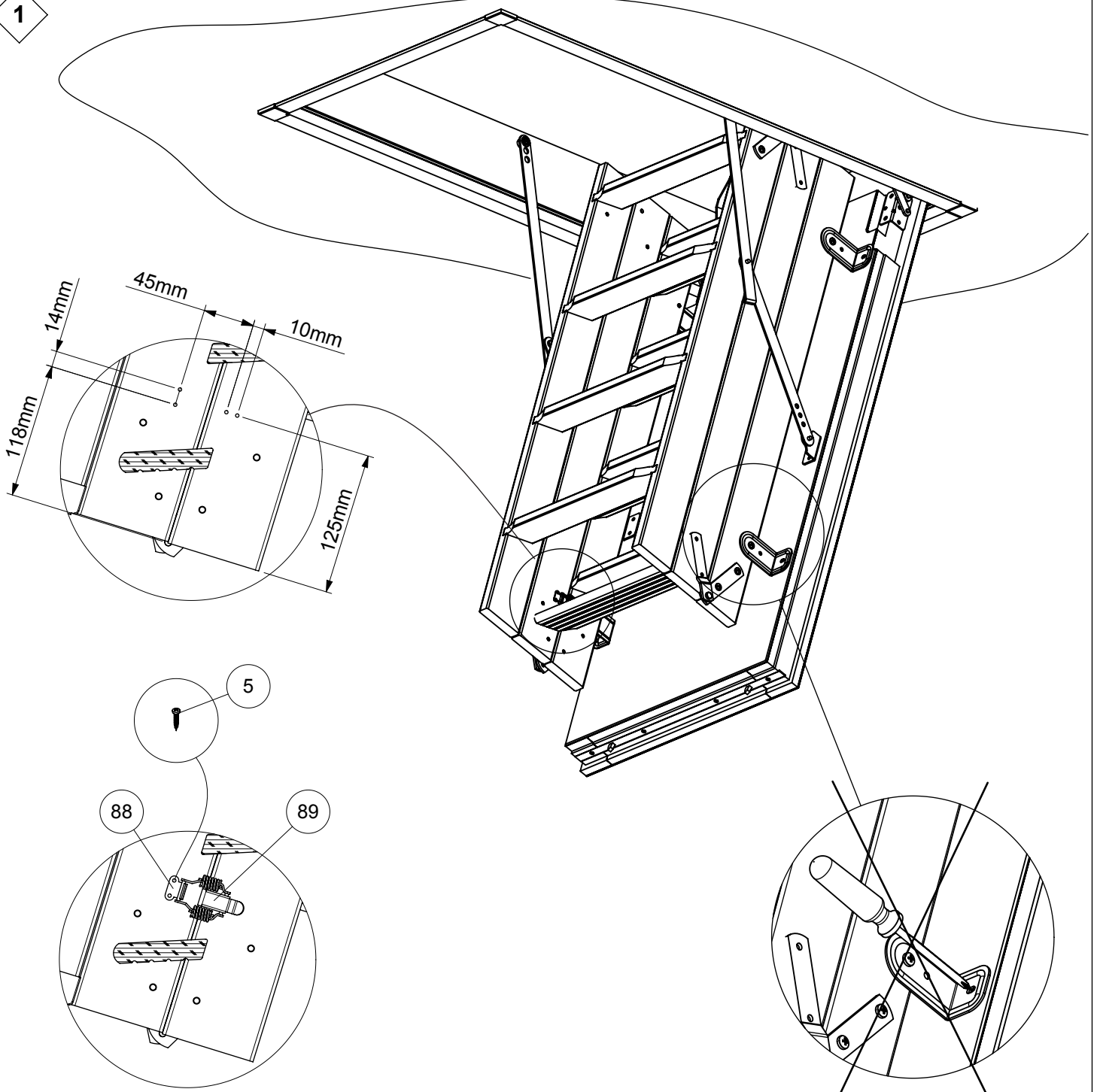


**IMPORTANT:**  
 WHERE FLOOR TO CEILING HEIGHT IS GREATER THAN 3 m  
 RELEASING THE SAFETY CATCH WHILST SUPPORTING,  
 THE LADDER MAY BE DIFFICULT.  
 IN THIS CASE WE COULD RECOMMEND THE USE OF  
 A SMALL STEP LADDER FOR SAFE OPERATION

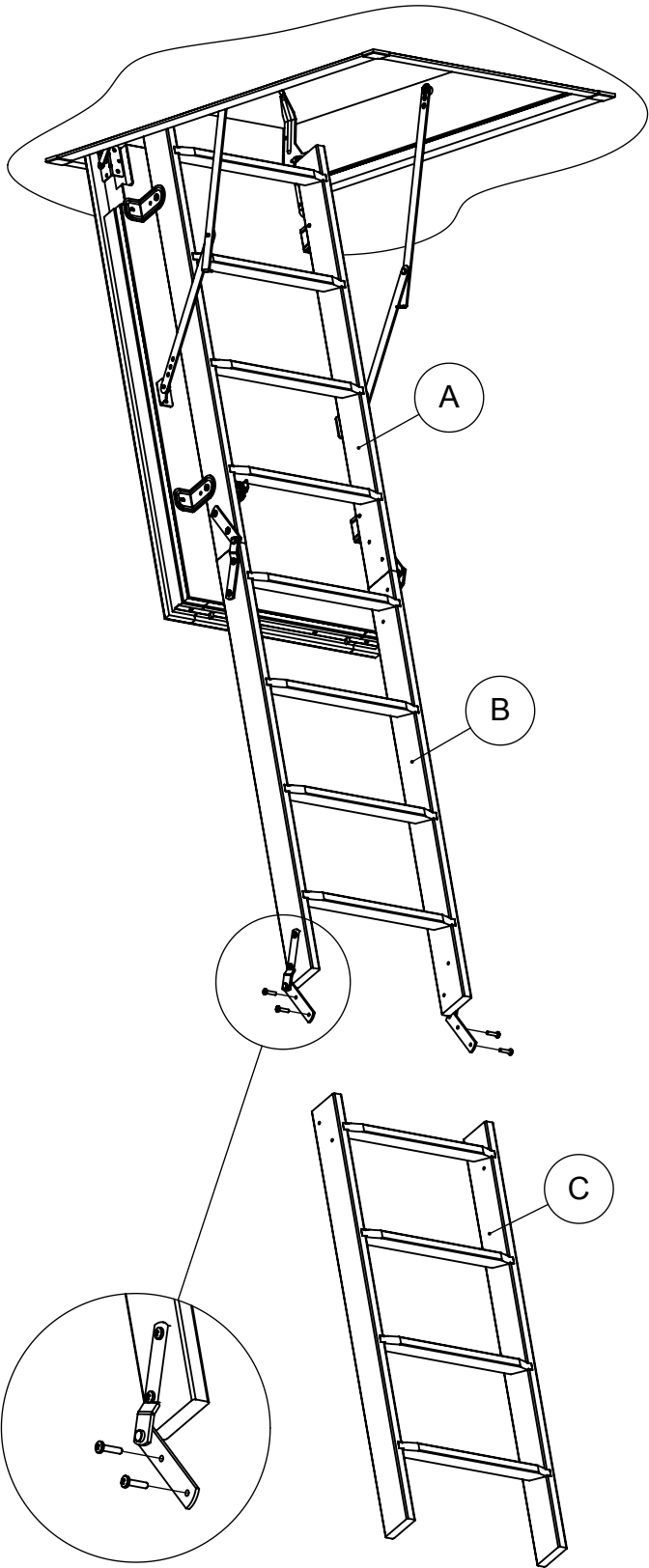


5 R1-63210 Ø3 x 16	13 K2-22000
14 R1-63129 M6 x 25	32 R1-63221 Ø4 x 20
88 R1-63101	48 H2-99406
	89 R1-63101

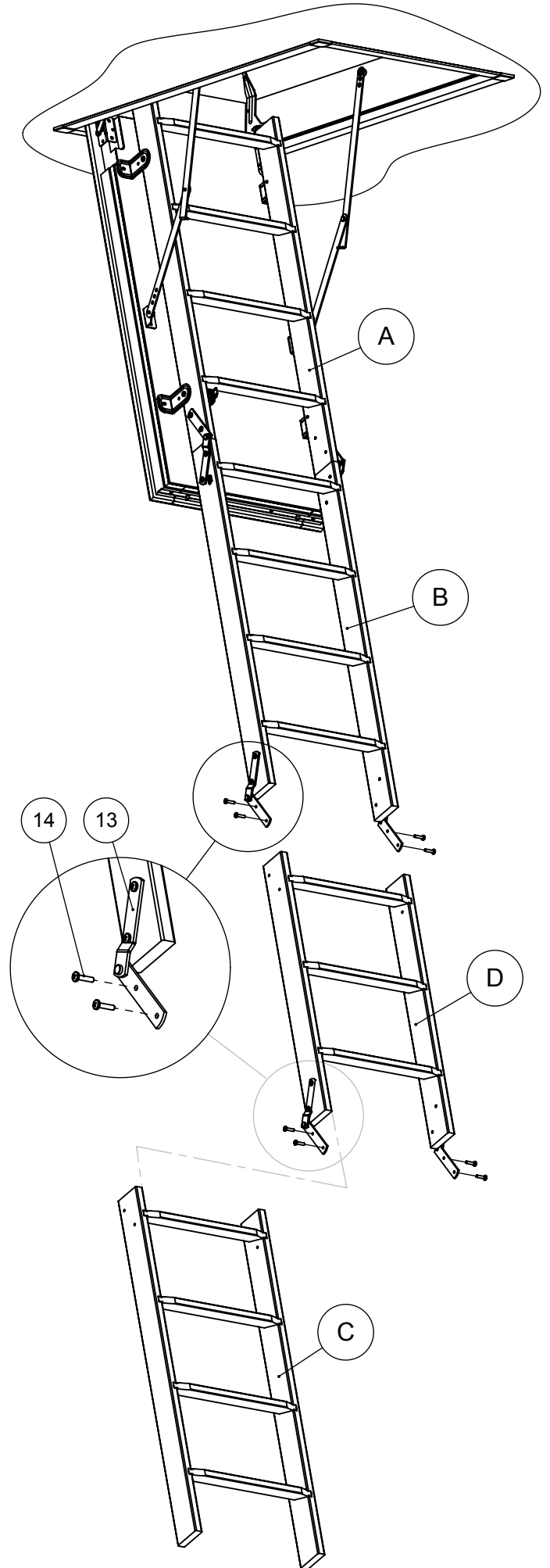
1

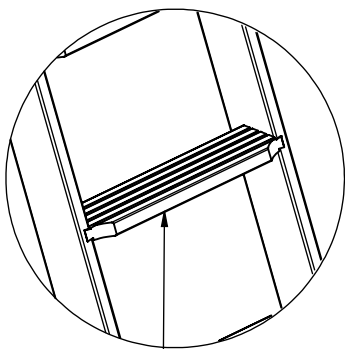
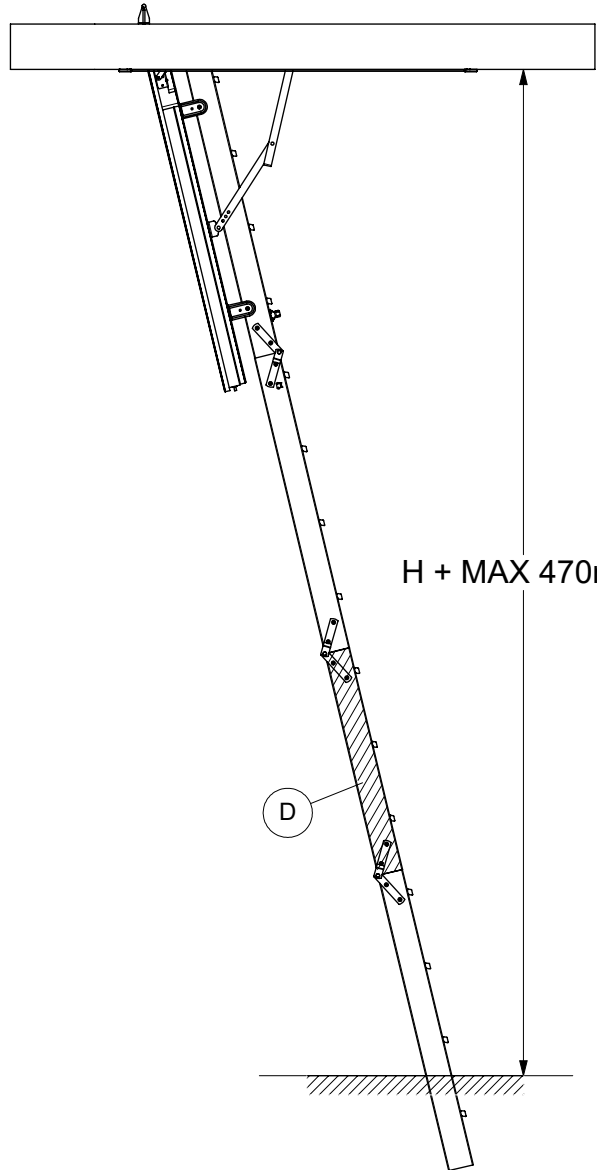
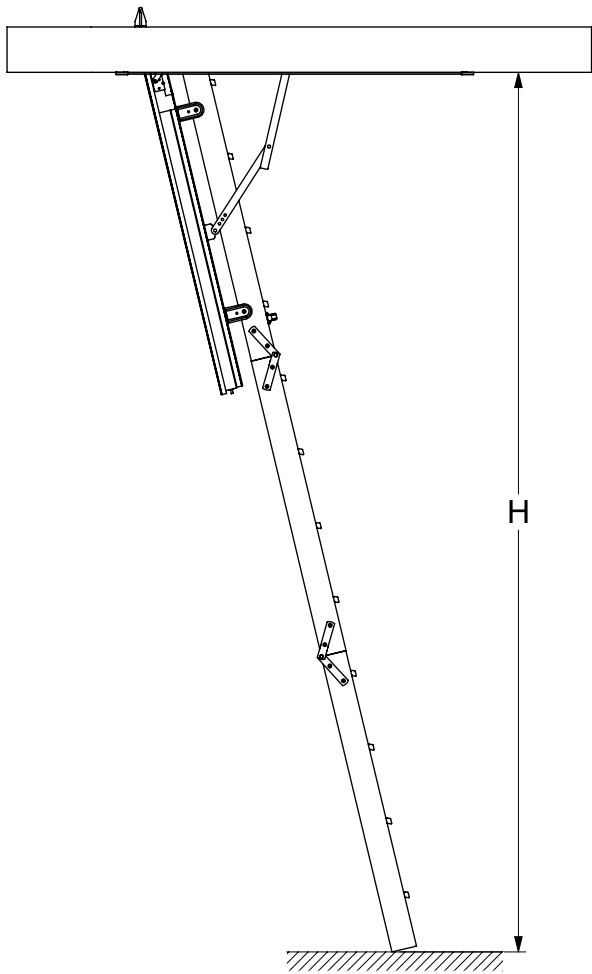


2

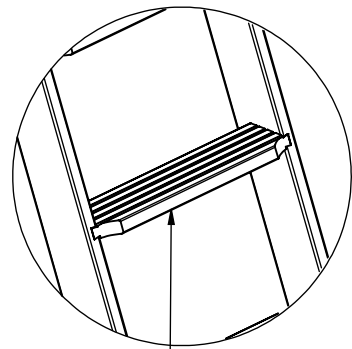


3

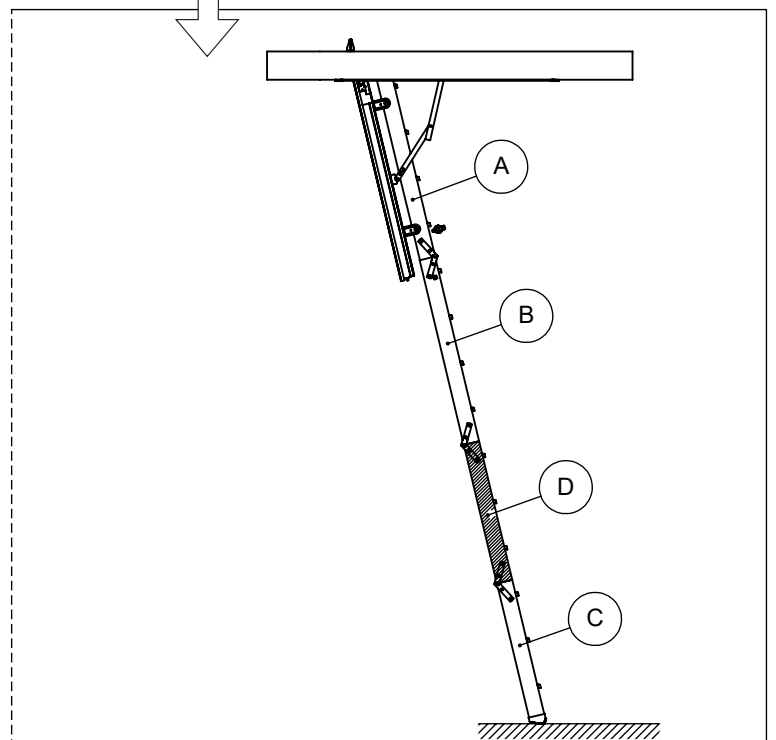
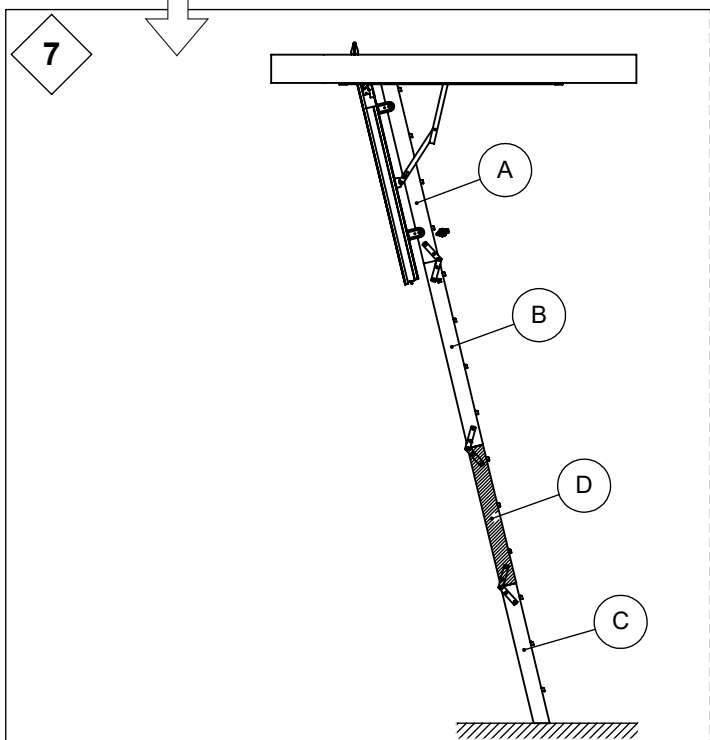
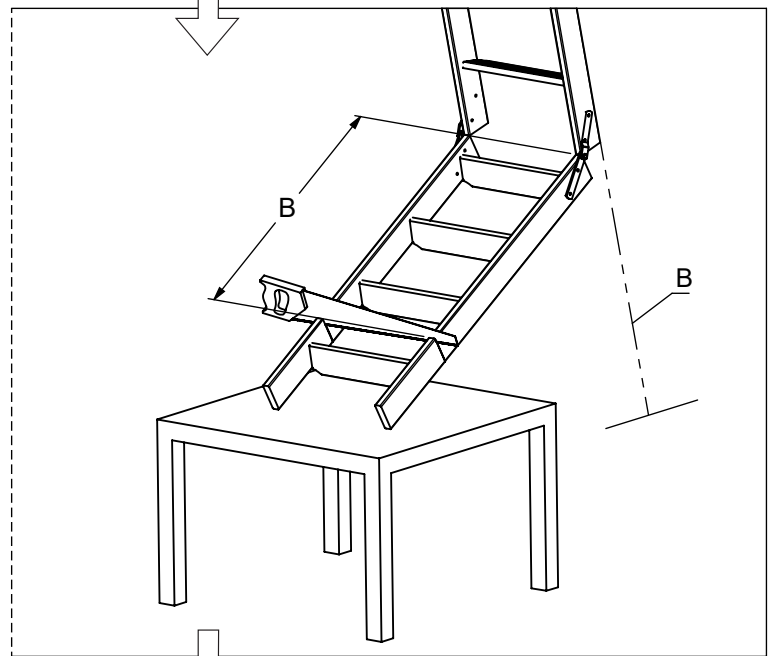
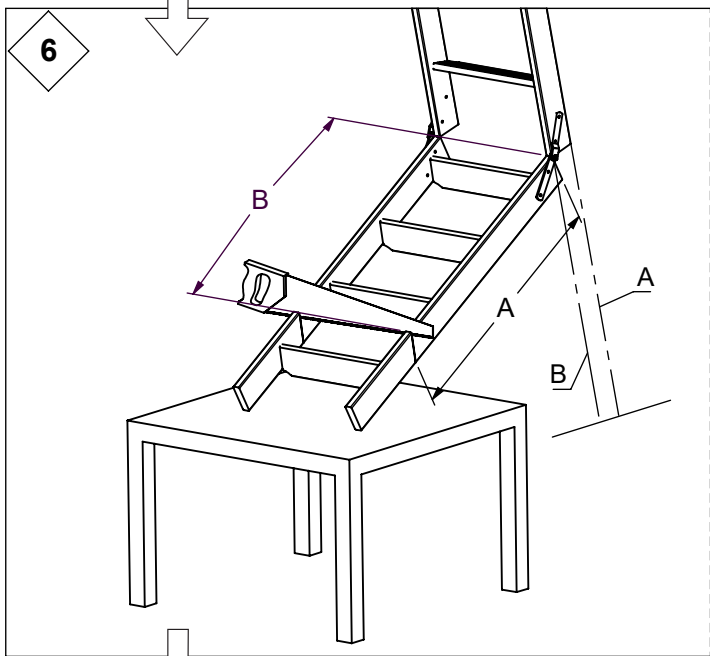
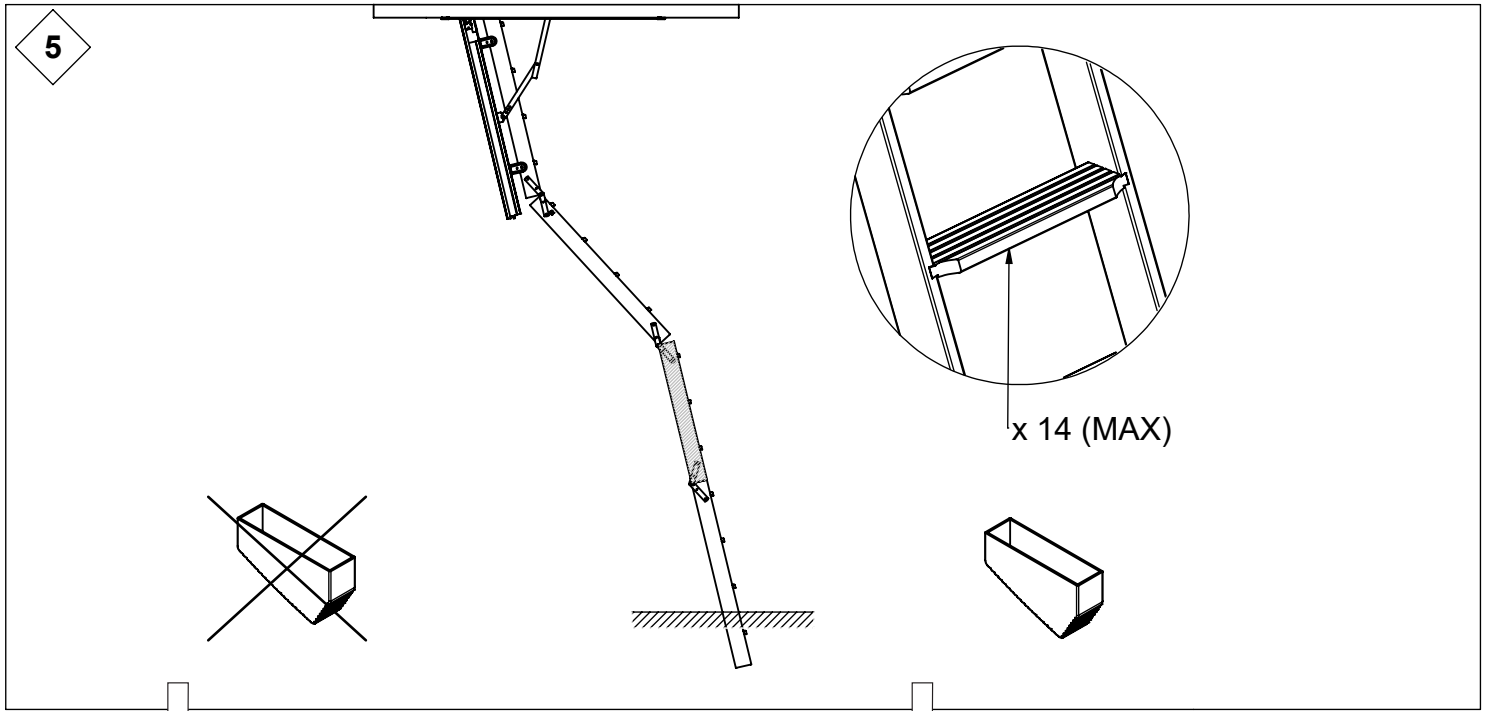




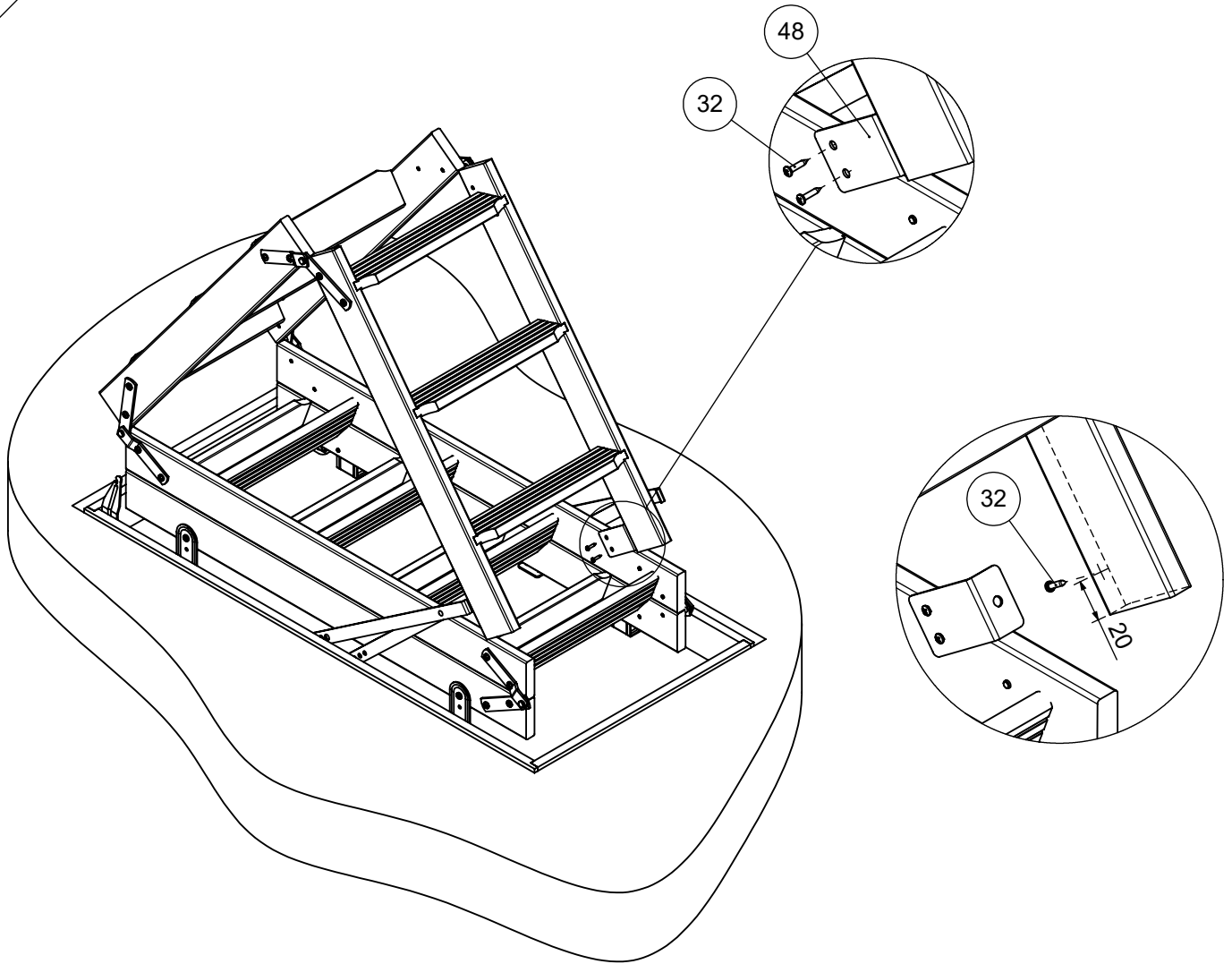
x 12



x 14 (MAX)



8



### OPERATION INSTRUCTIONS

Always follow the follow sequences:

1. Open the trapdoor using the pole provided.
2. Disengage the bottom section from the locking plate.
3. Disengage the safety lock that secures the first 2 ladder sections.
4. Unfold the ladder to the floor by holding both legs with a good grip.
5. To fold and close you loft ladder, follow the above mentioned sequences in reverse.