
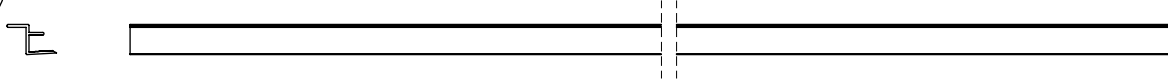
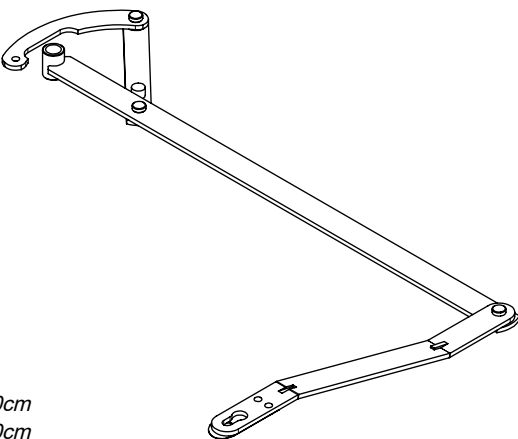
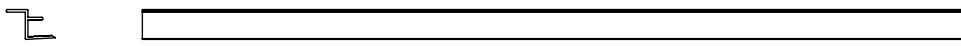
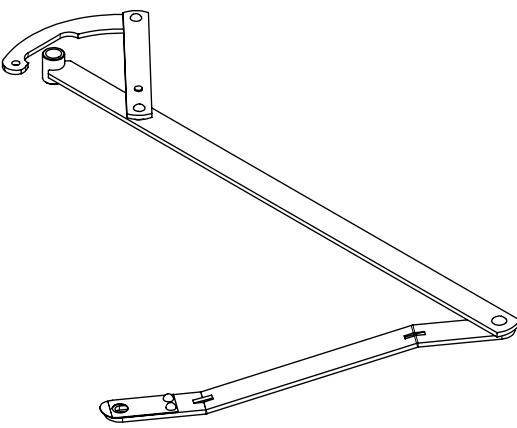
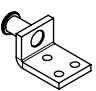

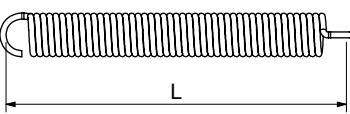






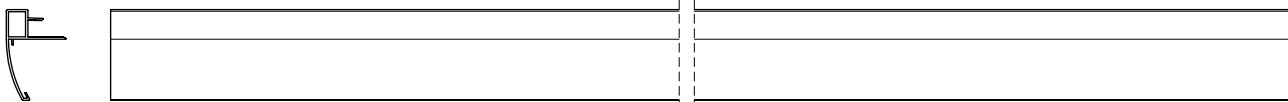
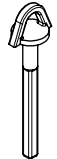


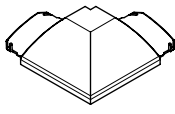

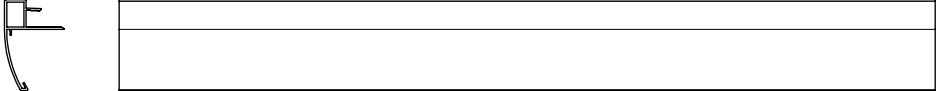
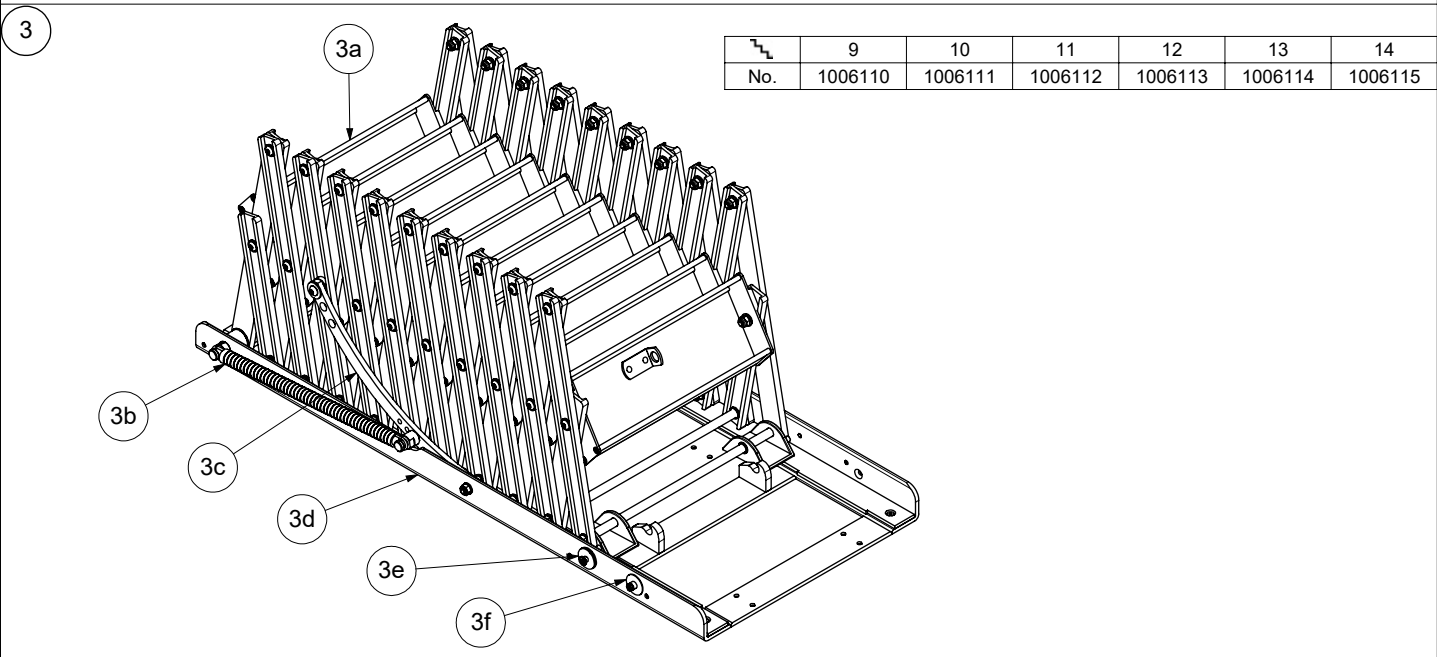
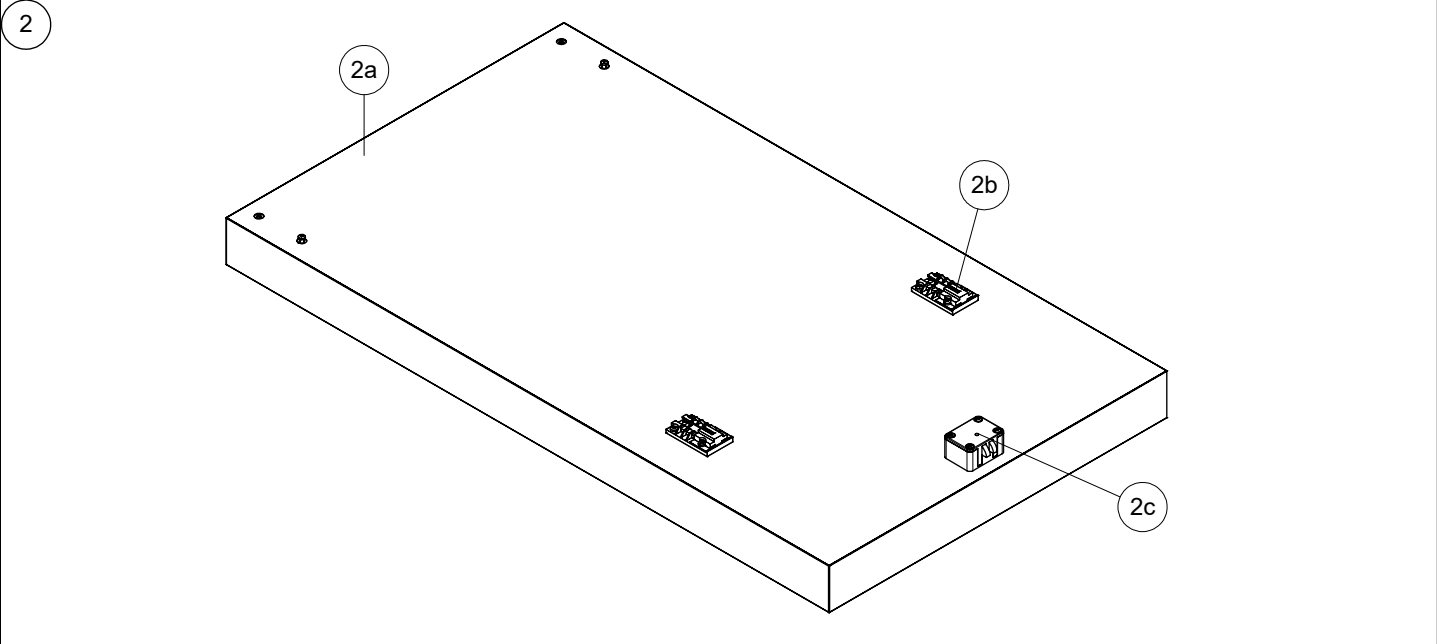
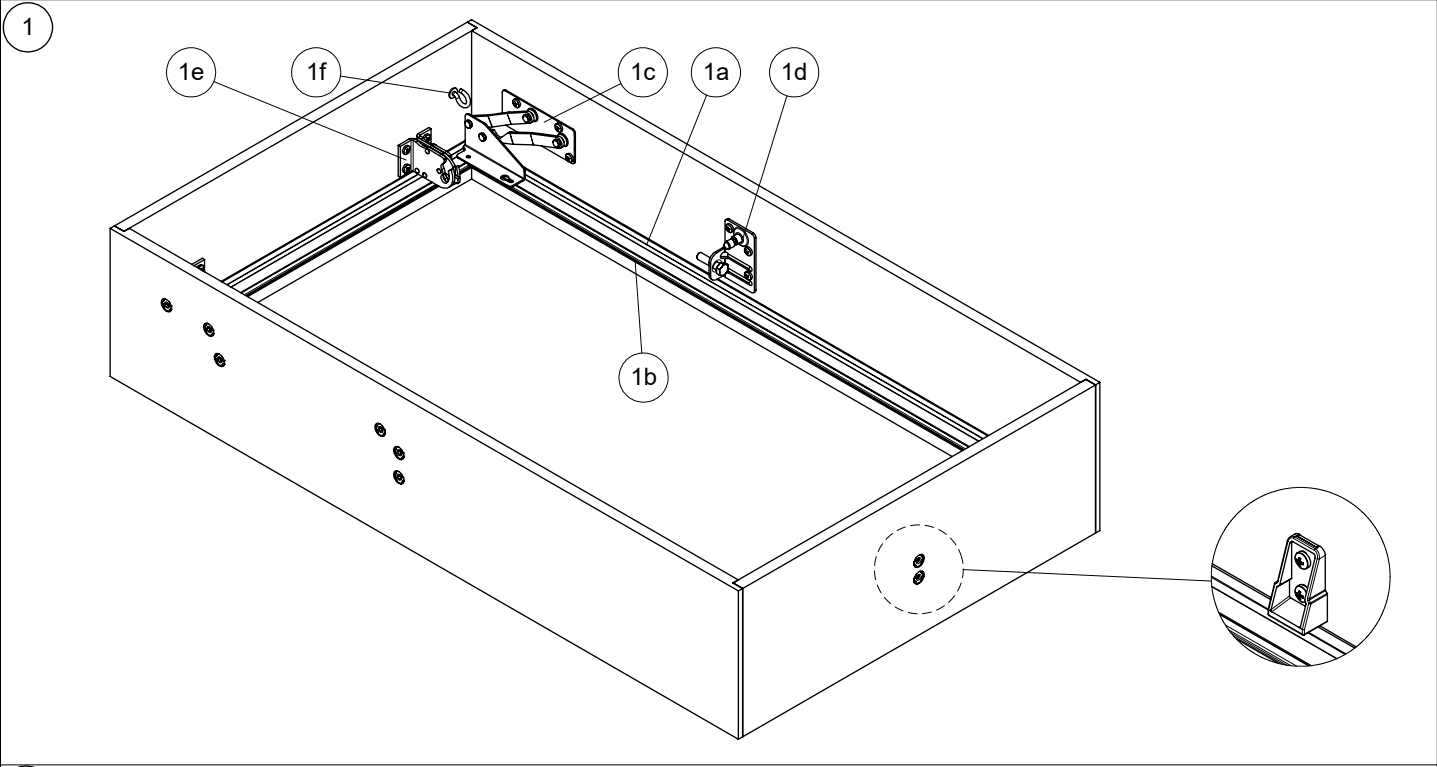
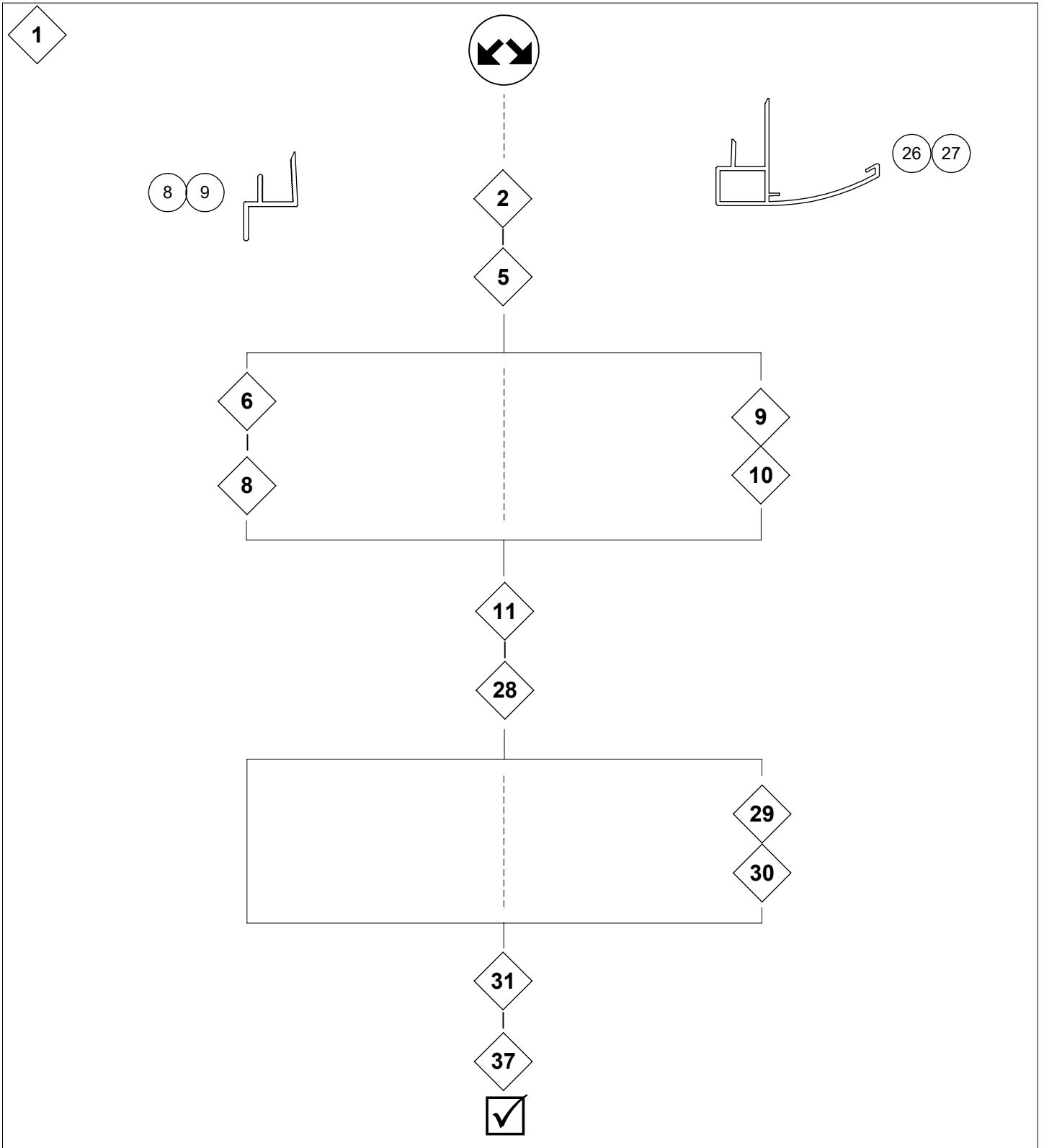
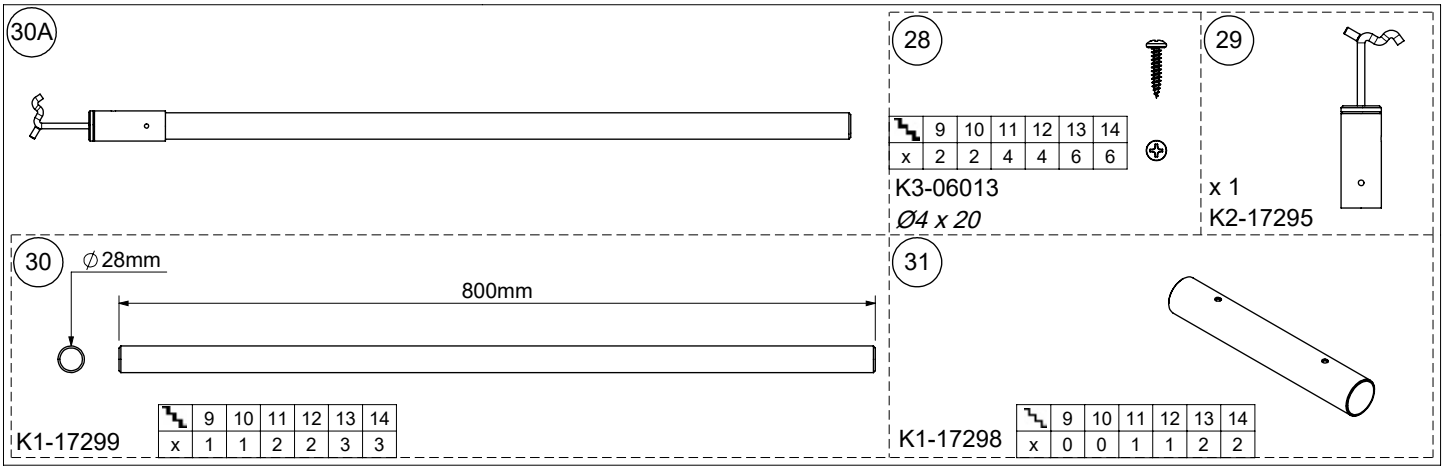
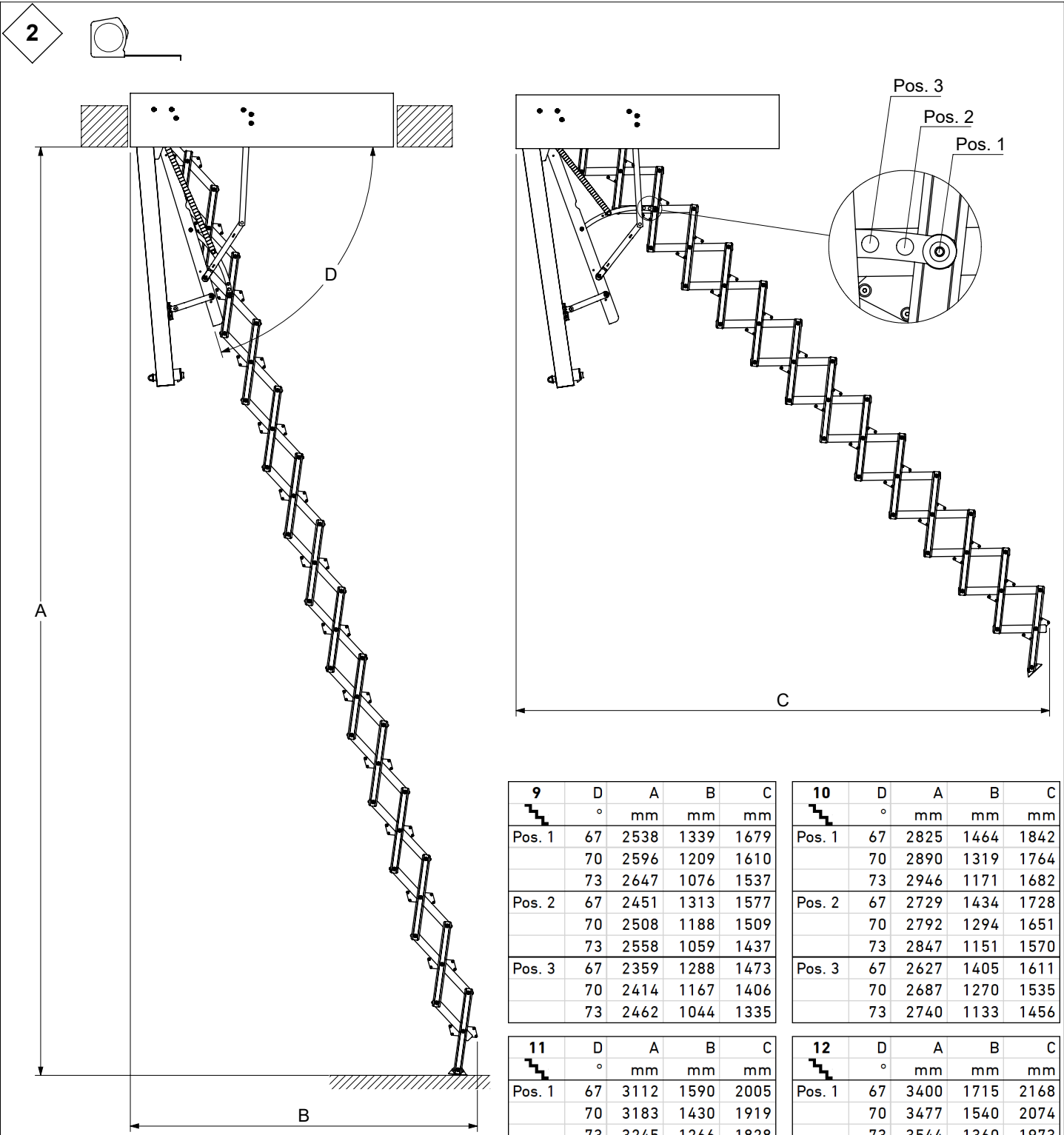


# ClickFix 76 VARIO V2

| <p>7</p>  <p>x 2<br/>C1-09100</p>   | <p>8</p>  <p>K1-21910 110cm    K1-21930 130cm<br/>x 2    K1-21910 120cm    K1-21940 140cm</p>  |  |  |   |   |  |  |          |        |             |             |             |             |          |        |             |  |             |  |
|--|--|--|--|---|---|--|--|----------|--------|-------------|-------------|-------------|-------------|----------|--------|-------------|--|-------------|--|
| <p>10</p>  <p>x 1<br/>C2-15460 60cm<br/>C2-15470 70cm</p>   | <p>9</p>  <p>x 2    K1-21860 60cm<br/>x 2    K1-21870 70cm</p> <p>11</p>  <p>x 1<br/>C2-15461 60cm<br/>C2-15471 70cm</p> |  |  |   |   |  |  |          |        |             |             |             |             |          |        |             |  |             |  |
| <p>12</p>  <p>x 2<br/>K2-17286</p>  | <p>13</p>  <p>x 6<br/>K3-02520<br/>M6 x 20</p>  | <p>14</p>  <p>L</p>                             | <table border="1"> <thead> <tr> <th>x 2</th> <th>L</th> <th></th> <th></th> </tr> </thead> <tbody> <tr> <td rowspan="2">R1-61410</td> <td rowspan="2">200 mm</td> <td>130 x 60 cm</td> <td>140 x 60 cm</td> </tr> <tr> <td>130 x 70 cm</td> <td>140 x 70 cm</td> </tr> <tr> <td rowspan="2">R1-61420</td> <td rowspan="2">225 mm</td> <td>120 x 60 cm</td> <td></td> </tr> <tr> <td>120 x 70 cm</td> <td></td> </tr> </tbody> </table> | x 2   | L   |  |  | R1-61410 | 200 mm | 130 x 60 cm | 140 x 60 cm | 130 x 70 cm | 140 x 70 cm | R1-61420 | 225 mm | 120 x 60 cm |  | 120 x 70 cm |  |
| x 2  | L  |  |  |   |   |  |  |          |        |             |             |             |             |          |        |             |  |             |  |
| R1-61410   | 200 mm   | 130 x 60 cm  | 140 x 60 cm  |   |   |  |  |          |        |             |             |             |             |          |        |             |  |             |  |
|  |  | 130 x 70 cm  | 140 x 70 cm  |   |   |  |  |          |        |             |             |             |             |          |        |             |  |             |  |
| R1-61420   | 225 mm   | 120 x 60 cm  |  |   |   |  |  |          |        |             |             |             |             |          |        |             |  |             |  |
|  |  | 120 x 70 cm  |  |   |   |  |  |          |        |             |             |             |             |          |        |             |  |             |  |
| <p>15</p>  <p>x 2<br/>C2-15250</p>  | <p>16</p>  <p>x 4<br/>K3-02054<br/>M5 x 20</p>  | <p>17</p>  <p>x 10<br/>R1-63200<br/>Ø6 x 80</p> | <p>18</p>  <p>x 1<br/>K1-20648</p>  | <p>19</p>  <p>x 1<br/>K2-20636</p> | <p>20</p>  <p>x 1<br/>K1-20634</p> |  |  |          |        |             |             |             |             |          |        |             |  |             |  |
| <p>26</p>  <p>K1-21410 110cm    K1-21430 130cm<br/>x 2    K1-21420 120cm    K1-21440 140cm</p> | <p>21</p>  <p>x 1<br/>K1-20633</p>  | <p>22</p>  <p>x 6<br/>K3-03026<br/>M6</p>       | <p>23</p>  <p>x 6<br/>K3-04026<br/>Ø6,4</p>   | <p>24</p>  <p>x 4<br/>H1-21340</p> | <p>25</p>  <p>x 4<br/>K3-08126</p> |  |  |          |        |             |             |             |             |          |        |             |  |             |  |
| <p>27</p>  <p>K1-21360 60cm<br/>x 2    K1-21370 70cm</p>                                       |  |  |  |   |   |  |  |          |        |             |             |             |             |          |        |             |  |             |  |







| <b>9</b> | D  | A    | B    | C    |
|----------|----|------|------|------|
|          | °  | mm   | mm   | mm   |
| Pos. 1   | 67 | 2538 | 1339 | 1679 |
|          | 70 | 2596 | 1209 | 1610 |
|          | 73 | 2647 | 1076 | 1537 |
| Pos. 2   | 67 | 2451 | 1313 | 1577 |
|          | 70 | 2508 | 1188 | 1509 |
|          | 73 | 2558 | 1059 | 1437 |
| Pos. 3   | 67 | 2359 | 1288 | 1473 |
|          | 70 | 2414 | 1167 | 1406 |
|          | 73 | 2462 | 1044 | 1335 |

| <b>10</b> | D  | A    | B    | C    |
|-----------|----|------|------|------|
|           | °  | mm   | mm   | mm   |
| Pos. 1    | 67 | 2825 | 1464 | 1842 |
|           | 70 | 2890 | 1319 | 1764 |
|           | 73 | 2946 | 1171 | 1682 |
| Pos. 2    | 67 | 2729 | 1434 | 1728 |
|           | 70 | 2792 | 1294 | 1651 |
|           | 73 | 2847 | 1151 | 1570 |
| Pos. 3    | 67 | 2627 | 1405 | 1611 |
|           | 70 | 2687 | 1270 | 1535 |
|           | 73 | 2740 | 1133 | 1456 |

| <b>11</b> | D  | A    | B    | C    |
|-----------|----|------|------|------|
|           | °  | mm   | mm   | mm   |
| Pos. 1    | 67 | 3112 | 1590 | 2005 |
|           | 70 | 3183 | 1430 | 1919 |
|           | 73 | 3245 | 1266 | 1828 |
| Pos. 2    | 67 | 3007 | 1555 | 1878 |
|           | 70 | 3076 | 1400 | 1793 |
|           | 73 | 3135 | 1242 | 1703 |
| Pos. 3    | 67 | 2894 | 1522 | 1748 |
|           | 70 | 2961 | 1373 | 1664 |
|           | 73 | 3019 | 1221 | 1576 |

| <b>12</b> | D  | A    | B    | C    |
|-----------|----|------|------|------|
|           | °  | mm   | mm   | mm   |
| Pos. 1    | 67 | 3400 | 1715 | 2168 |
|           | 70 | 3477 | 1540 | 2074 |
|           | 73 | 3544 | 1360 | 1973 |
| Pos. 2    | 67 | 3285 | 1676 | 2029 |
|           | 70 | 3359 | 1507 | 1935 |
|           | 73 | 3424 | 1334 | 1836 |
| Pos. 3    | 67 | 3162 | 1639 | 1886 |
|           | 70 | 3234 | 1476 | 1793 |
|           | 73 | 3297 | 1310 | 1696 |

| <b>13</b> | D  | A    | B    | C    |
|-----------|----|------|------|------|
|           | °  | mm   | mm   | mm   |
| Pos. 1    | 67 | 3687 | 1841 | 2332 |
|           | 70 | 3770 | 1650 | 2228 |
|           | 73 | 3843 | 1455 | 2119 |
| Pos. 2    | 67 | 3563 | 1797 | 2179 |
|           | 70 | 3643 | 1613 | 2077 |
|           | 73 | 3713 | 1425 | 1969 |
| Pos. 3    | 67 | 3429 | 1756 | 2024 |
|           | 70 | 3507 | 1579 | 1923 |
|           | 73 | 3575 | 1398 | 1816 |

| <b>14</b> | D  | A    | B    | C    |
|-----------|----|------|------|------|
|           | °  | mm   | mm   | mm   |
| Pos. 1    | 67 | 3974 | 1966 | 2495 |
|           | 70 | 4064 | 1760 | 2383 |
|           | 73 | 4142 | 1550 | 2264 |
| Pos. 2    | 67 | 3840 | 1918 | 2330 |
|           | 70 | 3927 | 1719 | 2219 |
|           | 73 | 4002 | 1516 | 2102 |
| Pos. 3    | 67 | 3697 | 1873 | 2161 |
|           | 70 | 3780 | 1682 | 2052 |
|           | 73 | 3854 | 1487 | 1937 |

3

Example 1  
Exemple 1  
Beispiel 1  
Voorbeeld 1  
Eksempel 1

A = 3180 mm

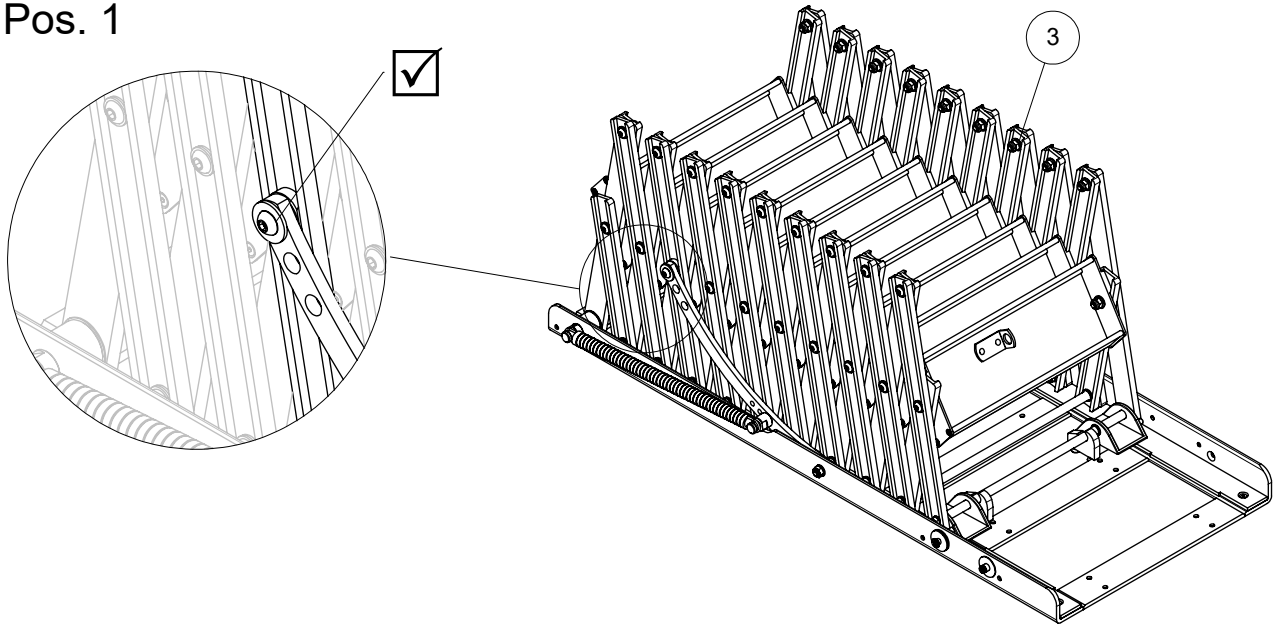
| 11     | D  | A    | B    | C    |
|--------|----|------|------|------|
|        | °  | mm   | mm   | mm   |
| Pos. 1 | 67 | 3112 | 1590 | 2005 |
|        | 70 | 3183 | 1430 | 1919 |
|        | 73 | 3245 | 1266 | 1828 |
| Pos. 2 | 67 | 3007 | 1555 | 1878 |
|        | 70 | 3076 | 1400 | 1793 |
|        | 73 | 3135 | 1242 | 1703 |
| Pos. 3 | 67 | 2894 | 1522 | 1748 |
|        | 70 | 2961 | 1373 | 1664 |
|        | 73 | 3019 | 1221 | 1576 |

Example 2  
Exemple 2  
Beispiel 2  
Voorbeeld 2  
Eksempel 2

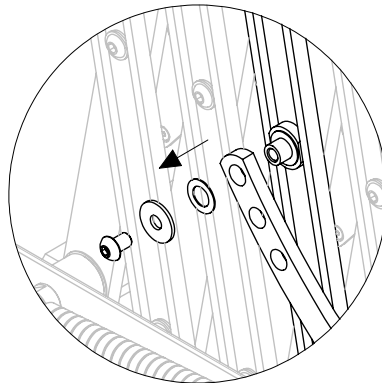
A = 3080 mm

| 11     | D  | A    | B             | C    |
|--------|----|------|---------------|------|
|        | °  | mm   | mm            | mm   |
| Pos. 1 | 67 | 3112 | 1590          | 2005 |
|        | 70 | 3183 | 1430          | 1919 |
|        | 73 | 3245 | 1266 <td 1828 |      |
| Pos. 2 | 67 | 3007 | 1555          | 1878 |
|        | 70 | 3076 | 1400          | 1793 |
|        | 73 | 3135 | 1242          | 1703 |
| Pos. 3 | 67 | 2894 | 1522          | 1748 |
|        | 70 | 2961 | 1373          | 1664 |
|        | 73 | 3019 | 1221          | 1576 |

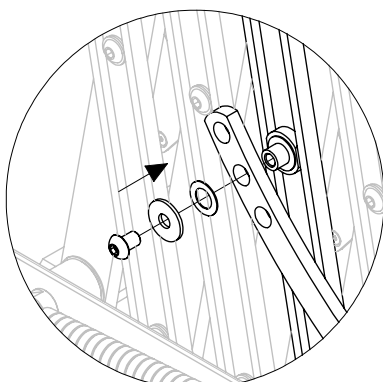
Pos. 1



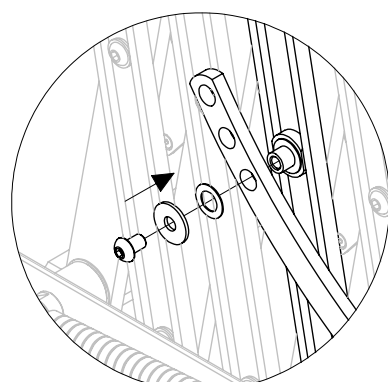
Pos. 2 / 3



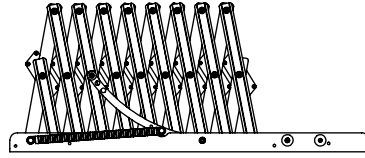
Pos. 2



Pos. 3

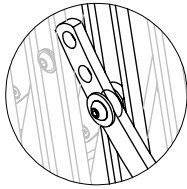
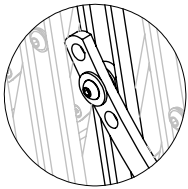
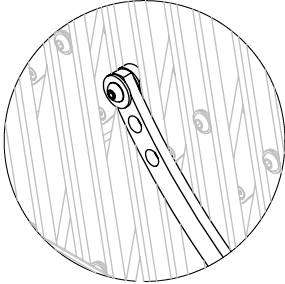


4



9

10



Pos.  
1

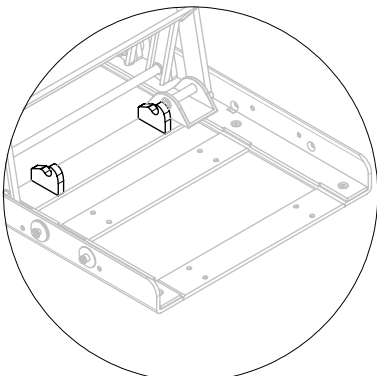
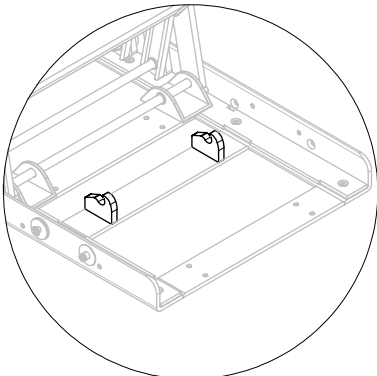
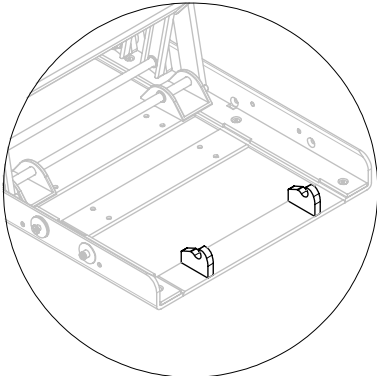
Pos.  
2

Pos.  
3

Pos.  
1

Pos.  
2

Pos.  
3



Pos.  
C

Pos.  
B

Pos.  
B

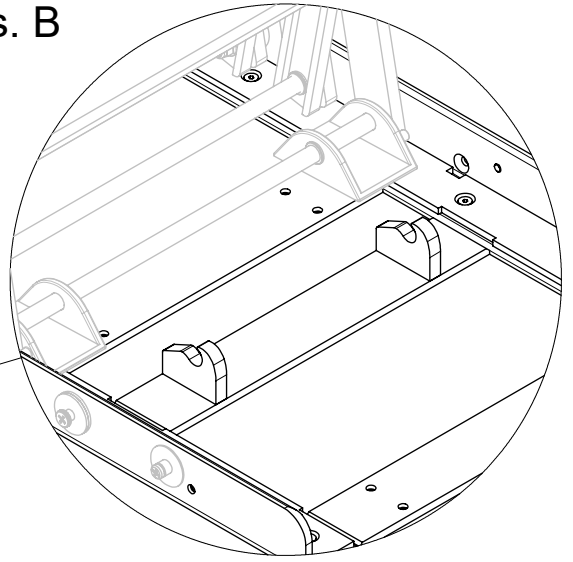
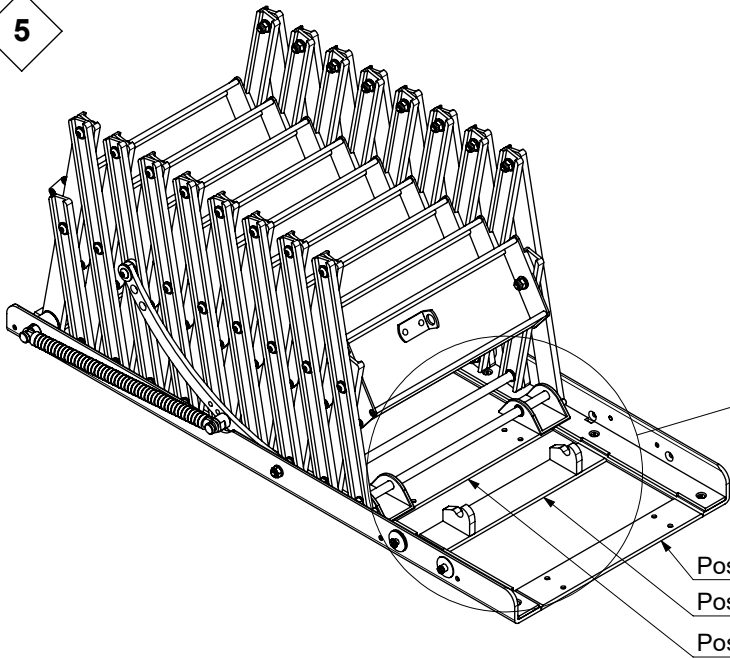
Pos.  
B

Pos.  
B

Pos.  
A

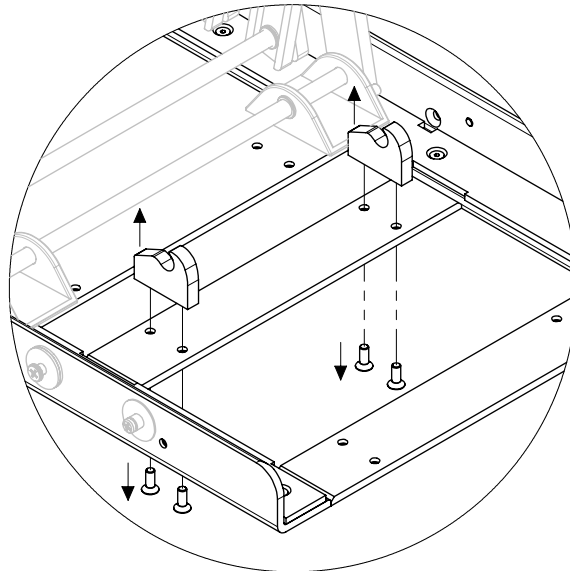
5

Pos. B

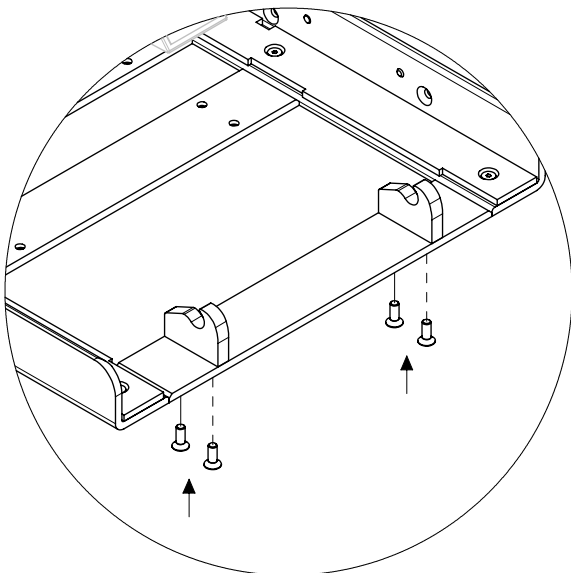


Pos. A  
Pos. B  
Pos. C

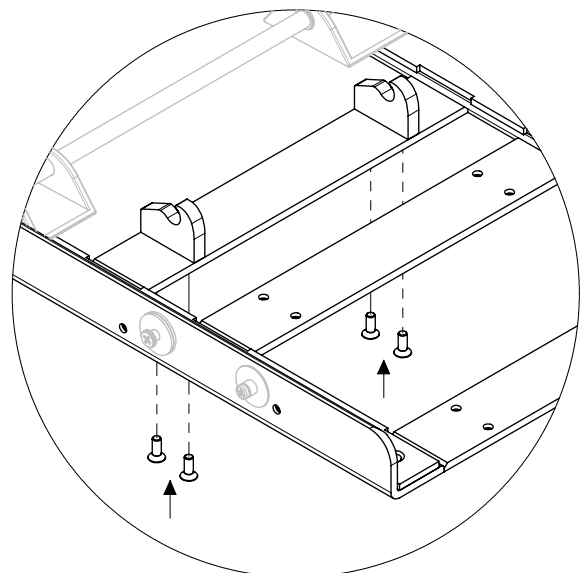
Pos. A / C



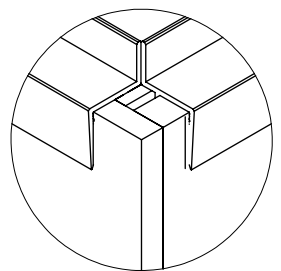
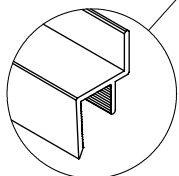
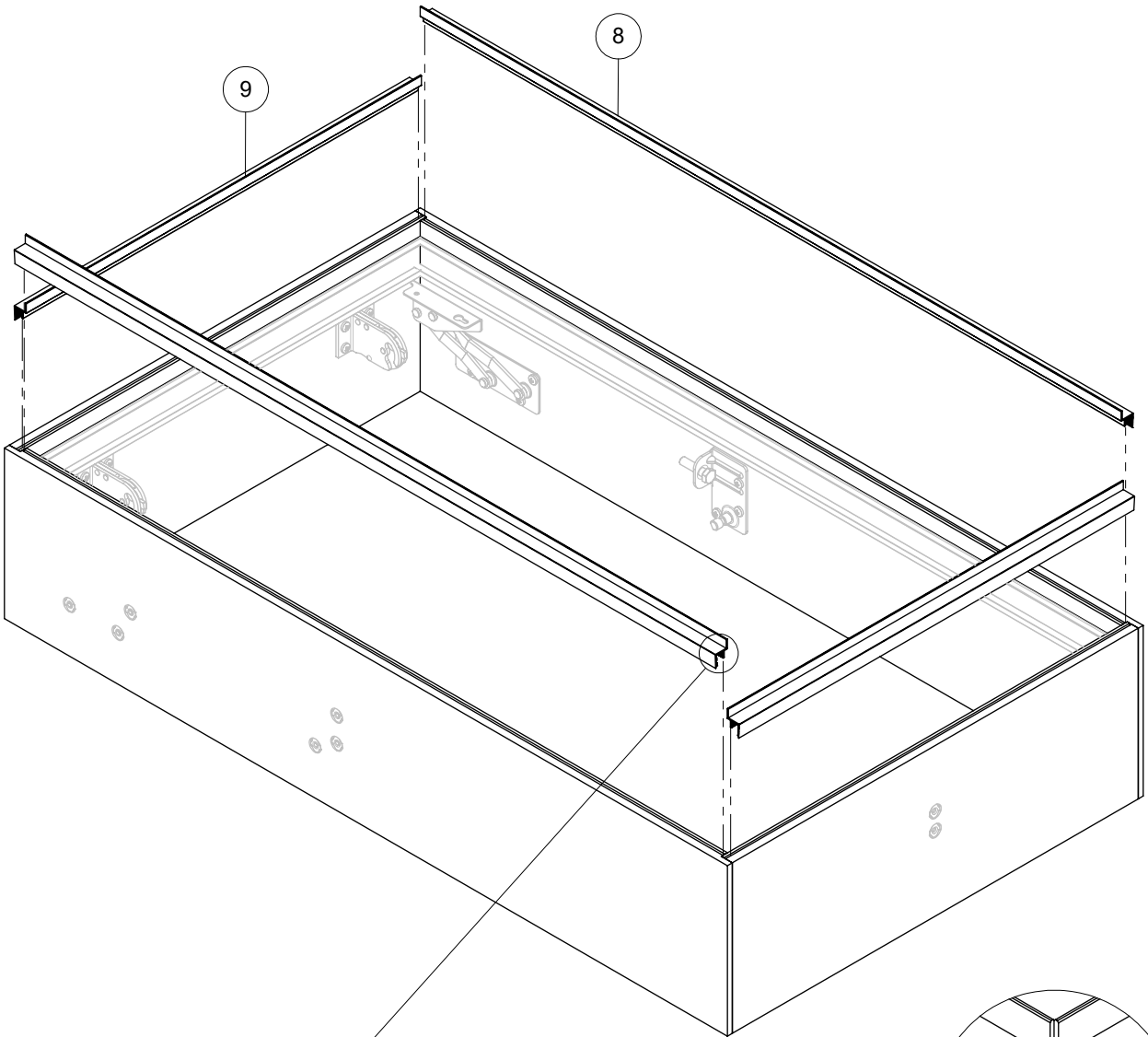
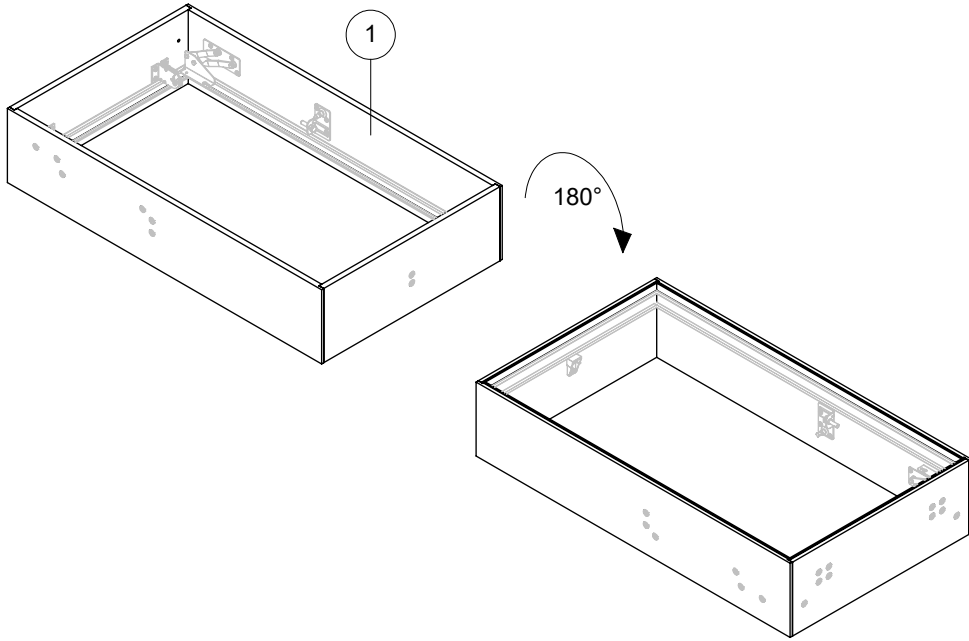
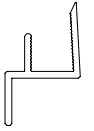
Pos. A



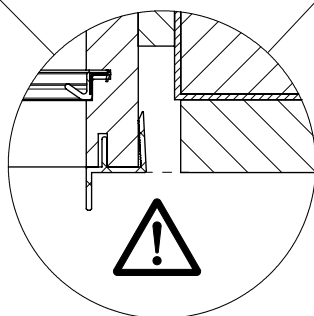
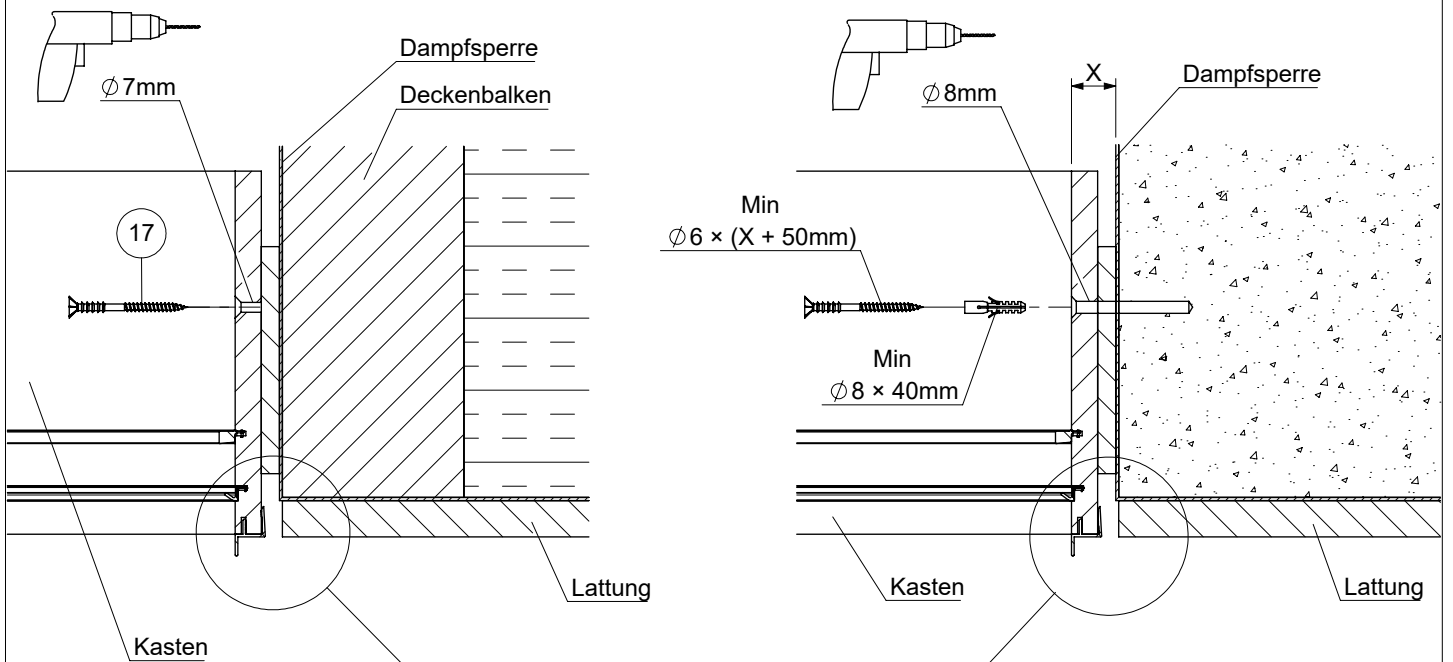
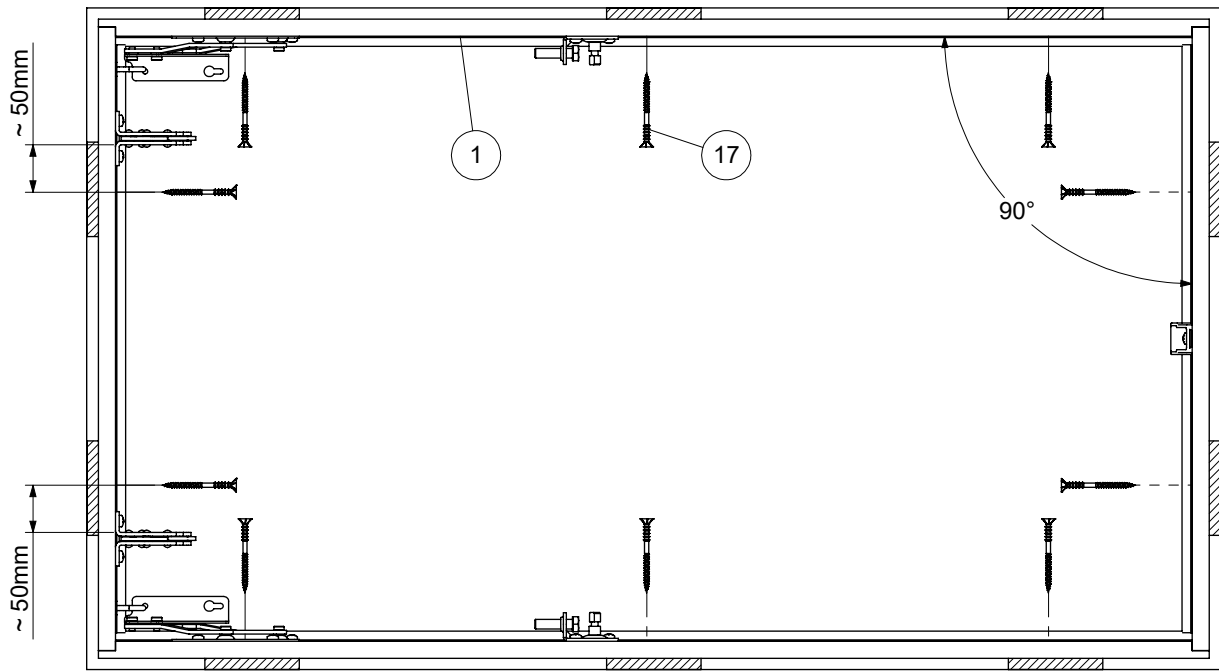
Pos. C



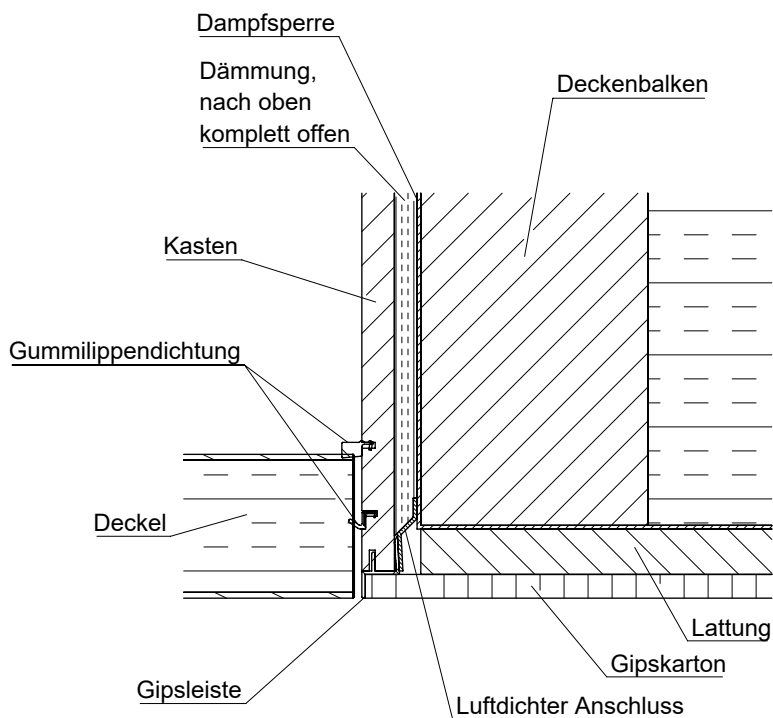
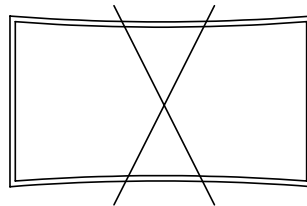
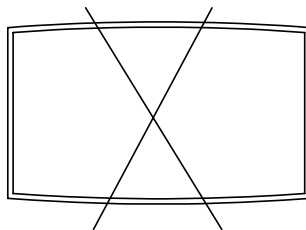
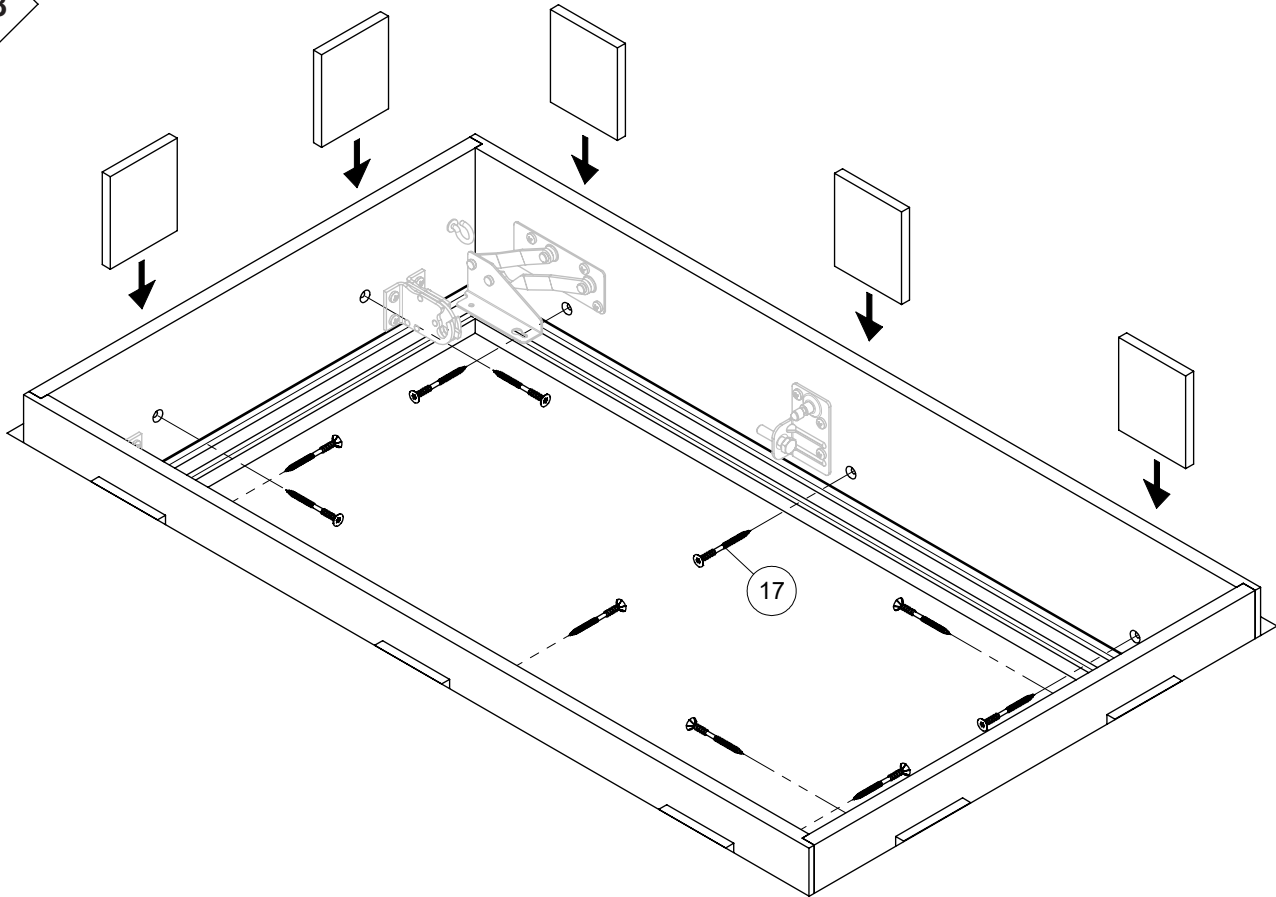
6







8

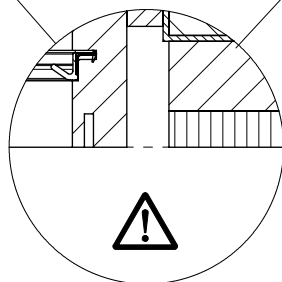
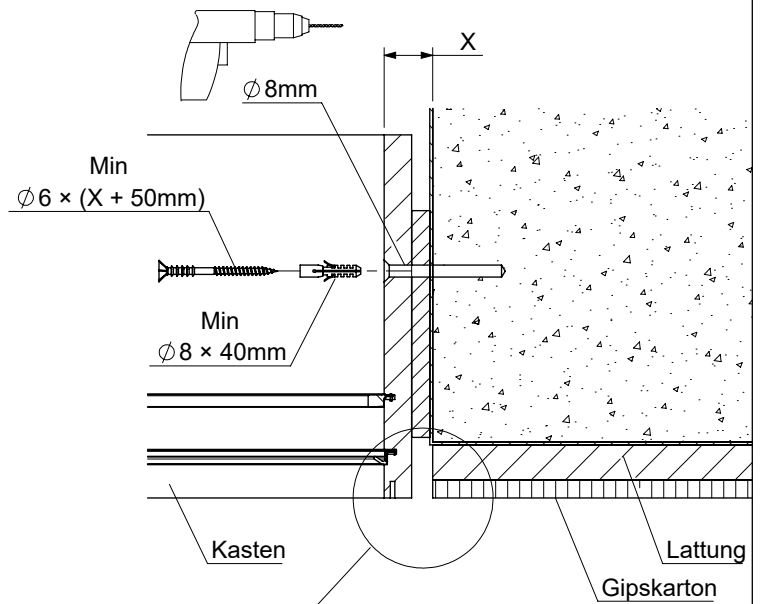
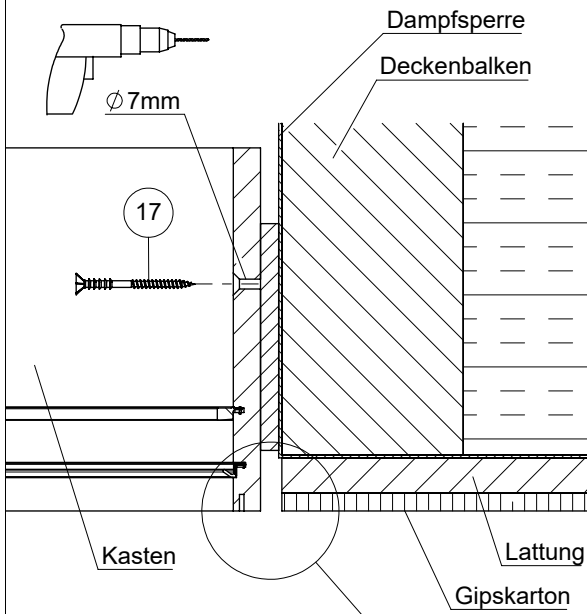
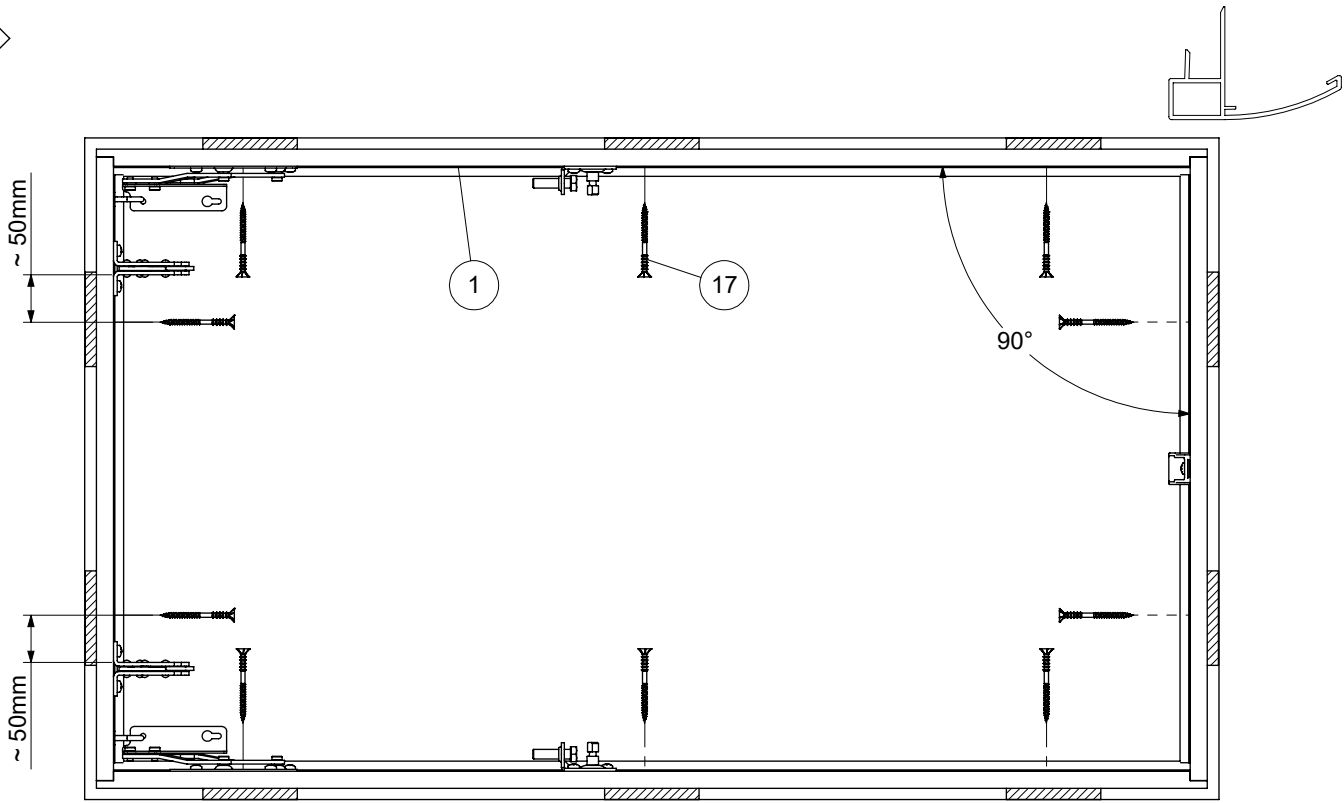


**ACHTUNG:**

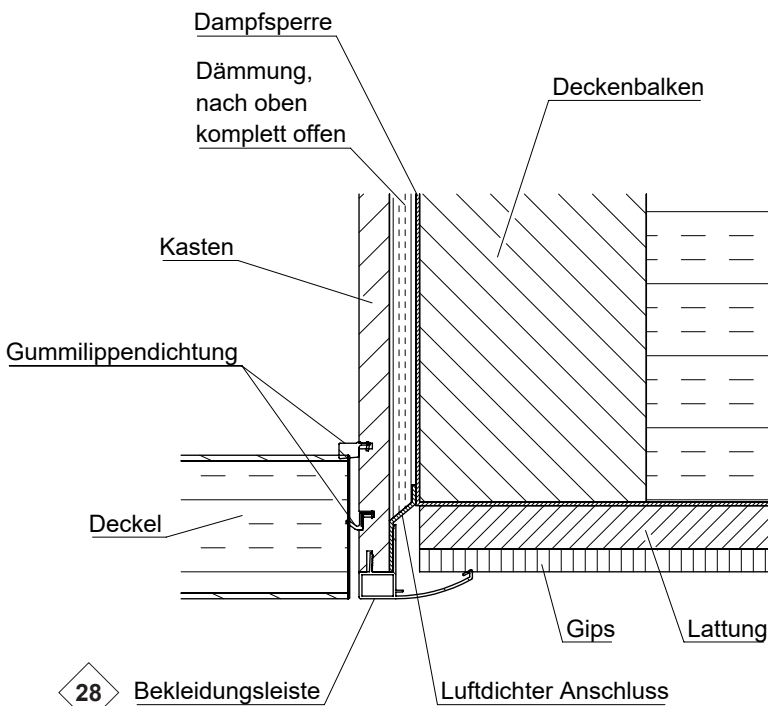
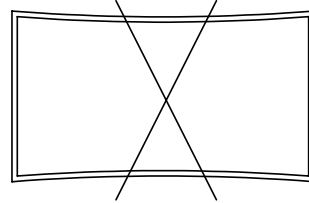
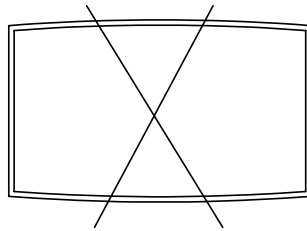
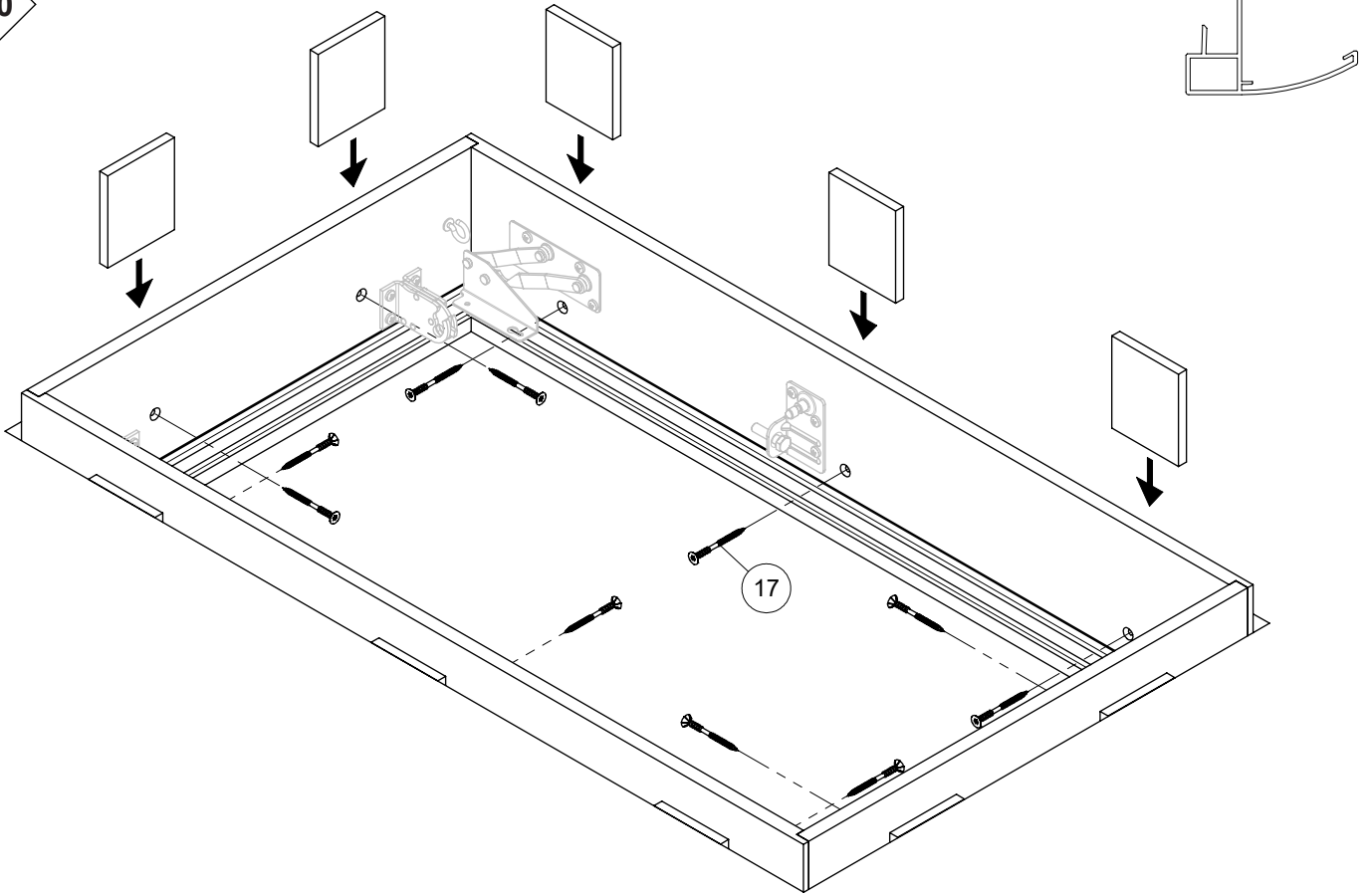
Unbedingt den luftdichten Anschluss des Lukenkastens unten an die Decke und die Zwischenraumdämmung bauseits durchführen.



11

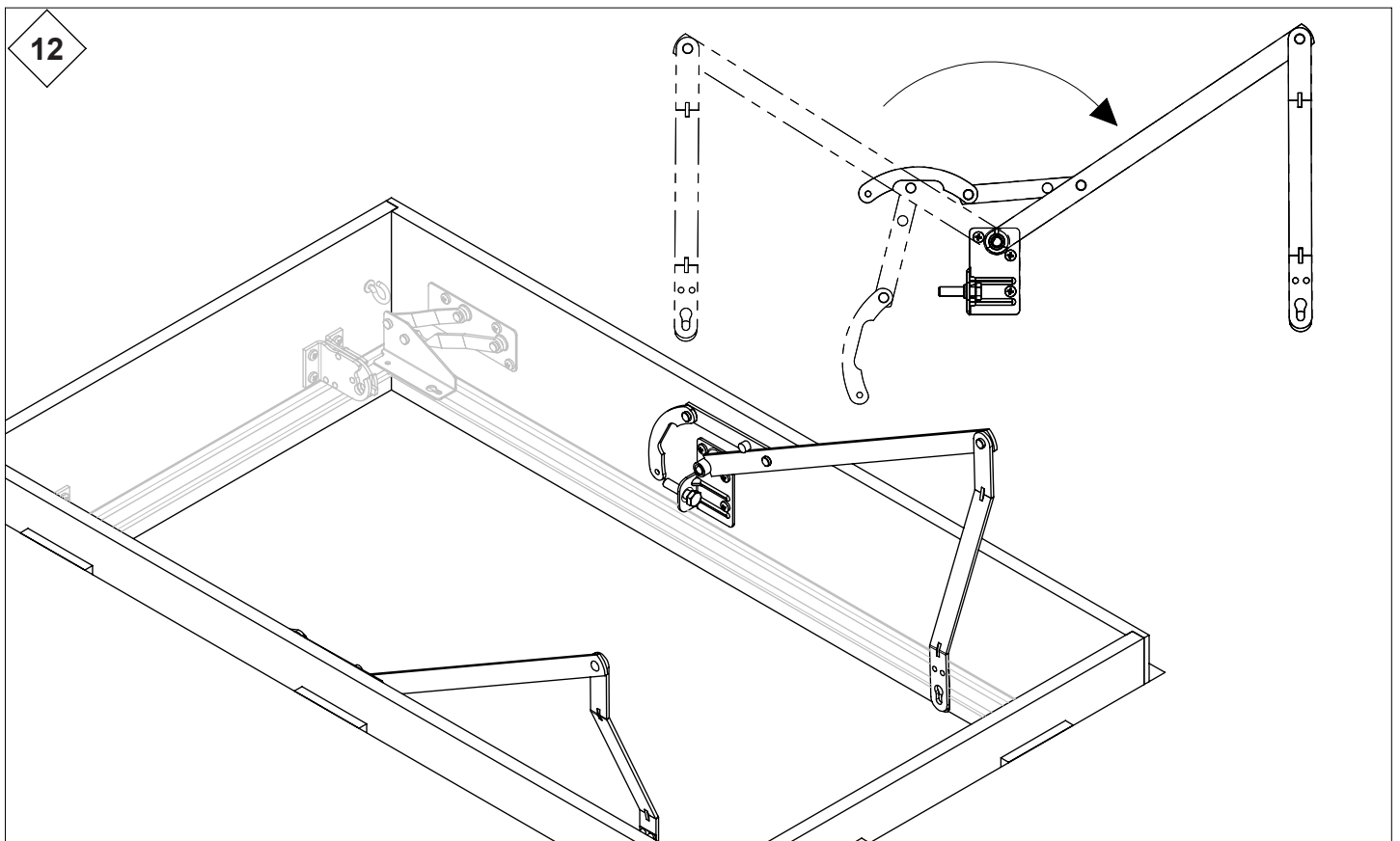
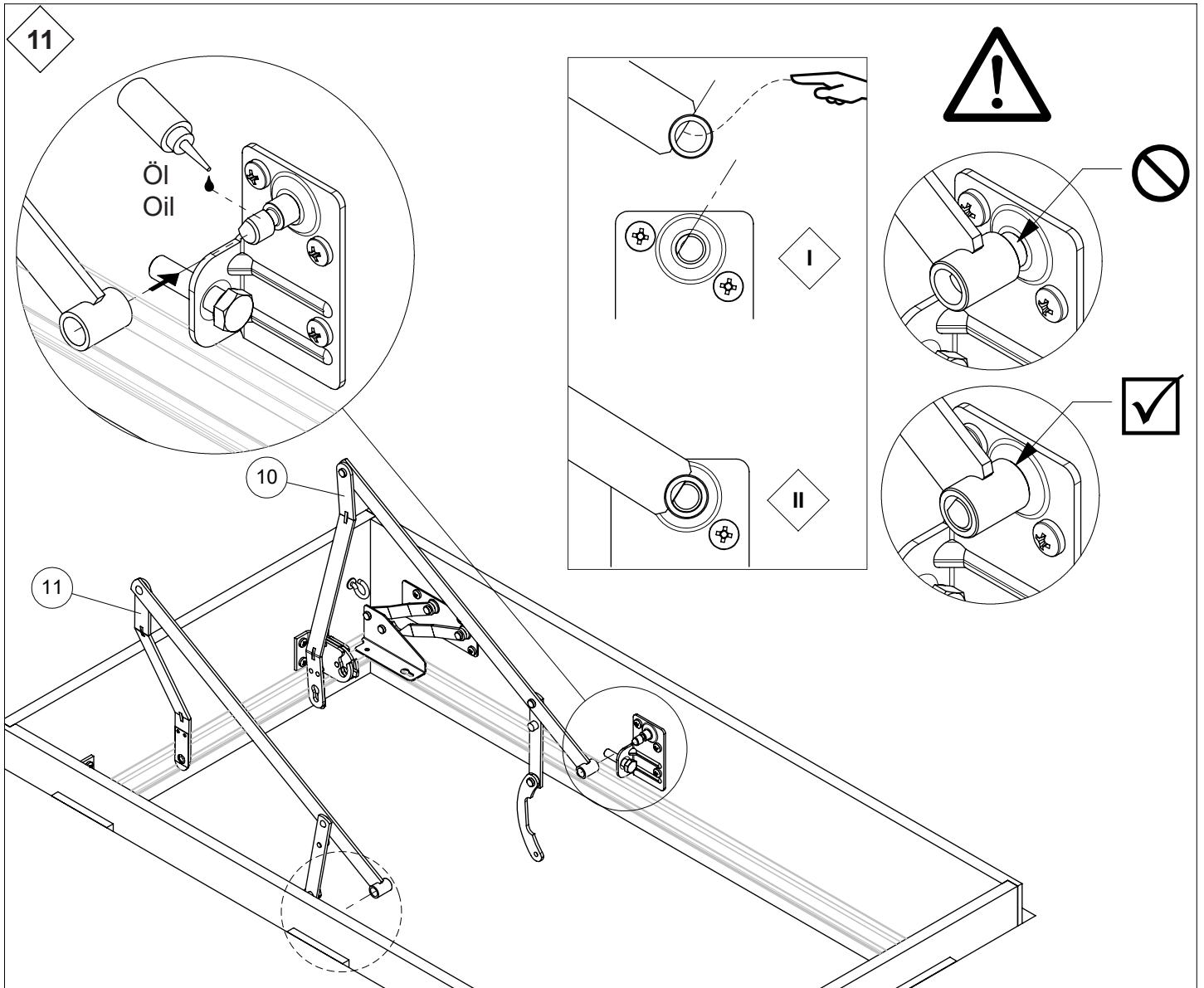


10

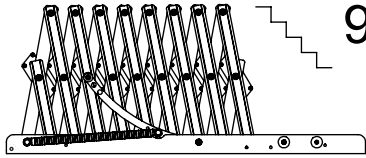


**ACHTUNG:**

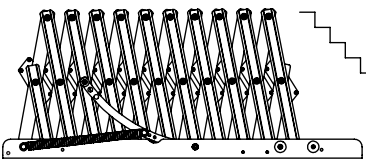
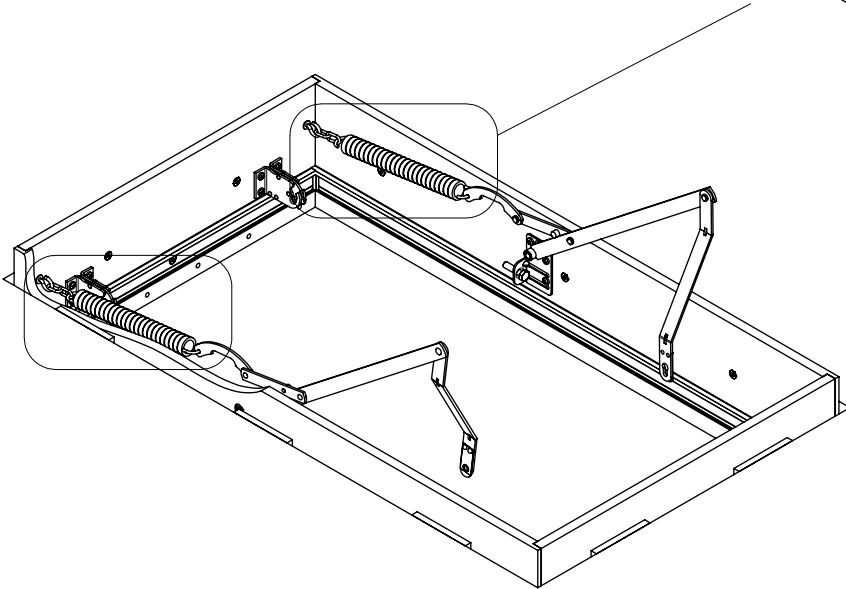
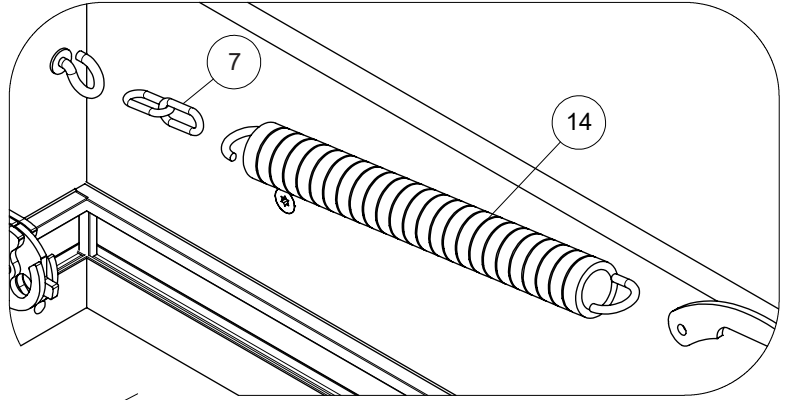
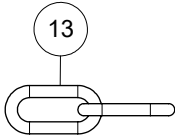
Unbedingt den luftdichten Anschluss des Lukenkastens unten an die Decke und die Zwischenraumdämmung bauseits durchführen.



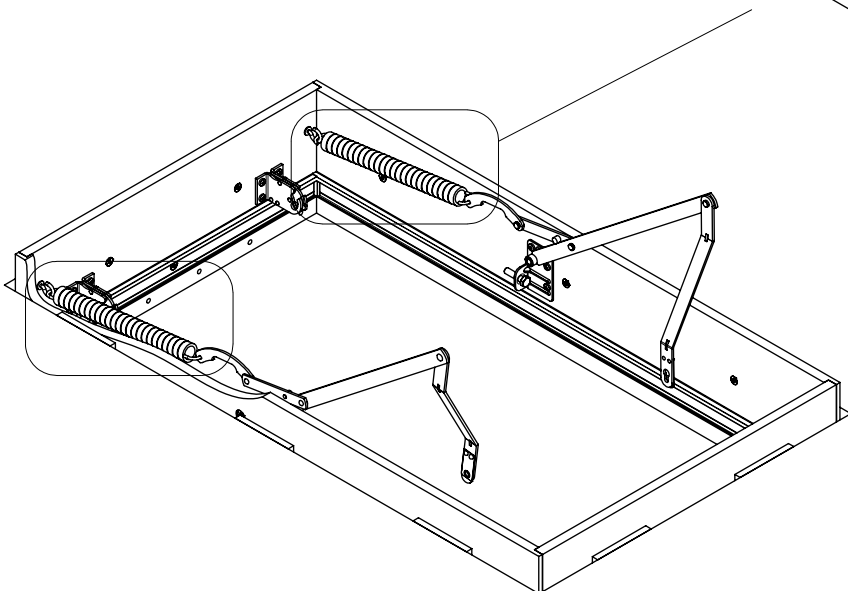
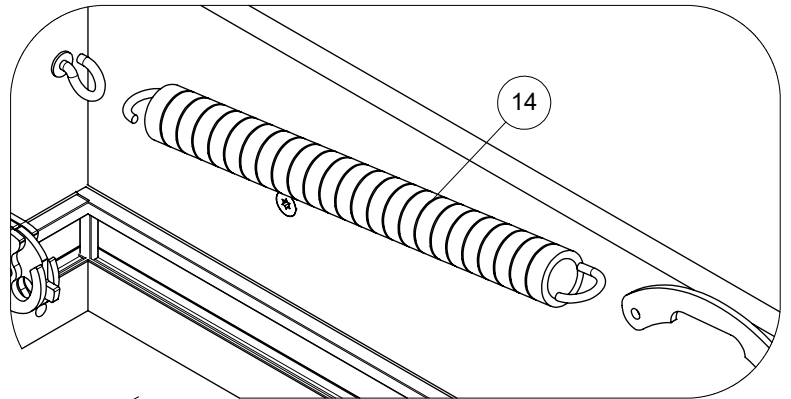
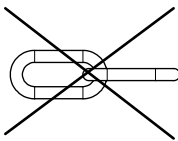
13

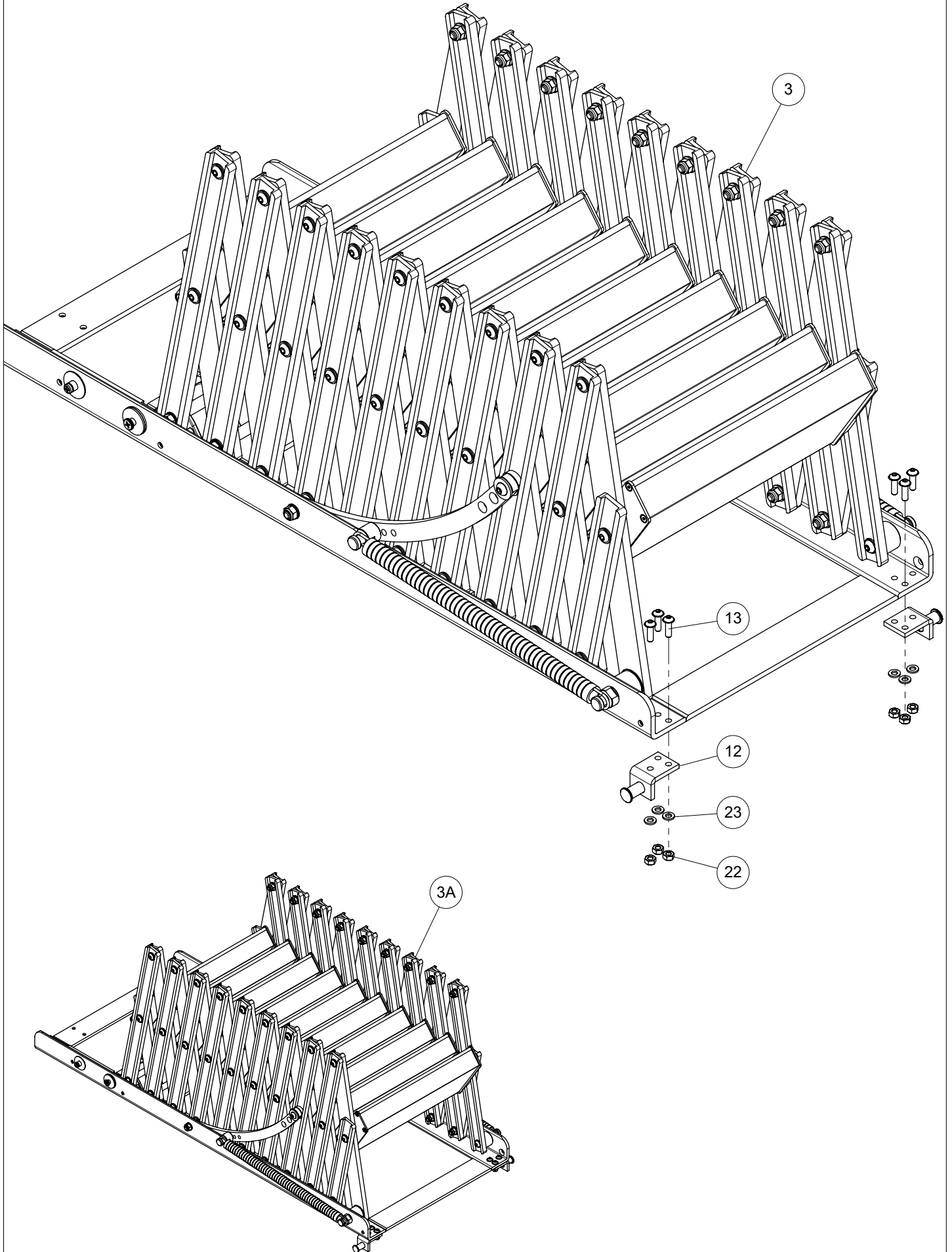


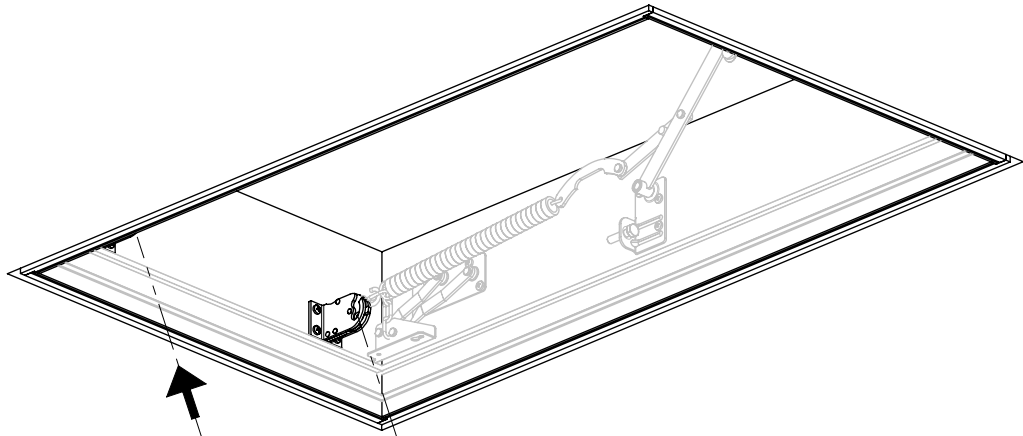
9-10



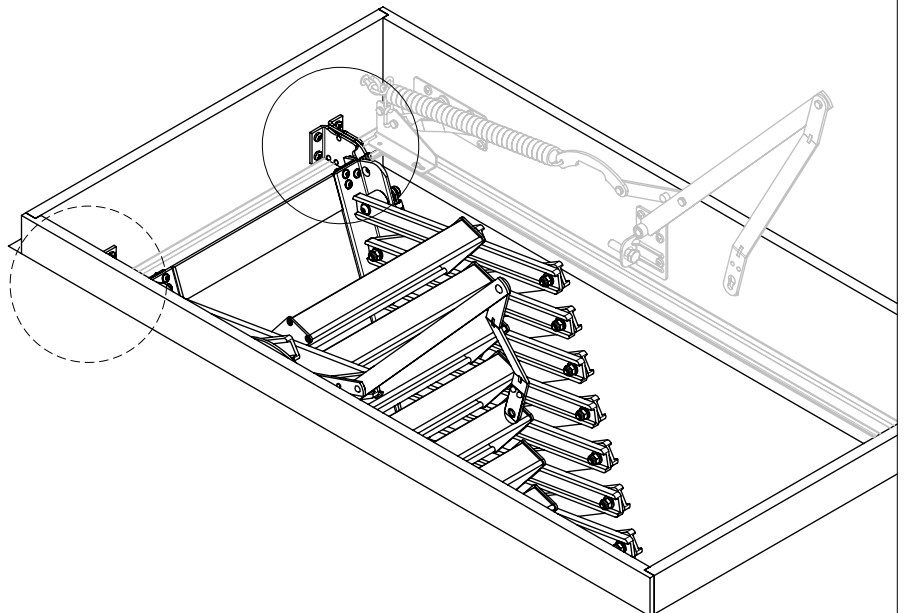
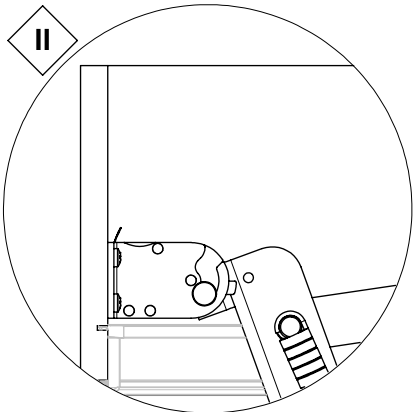
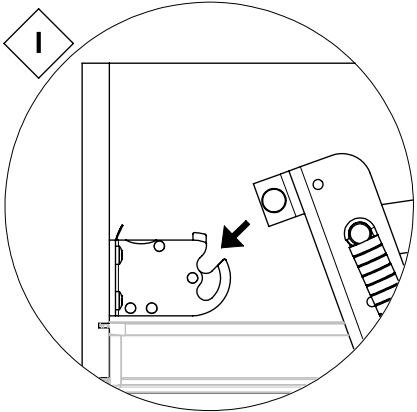
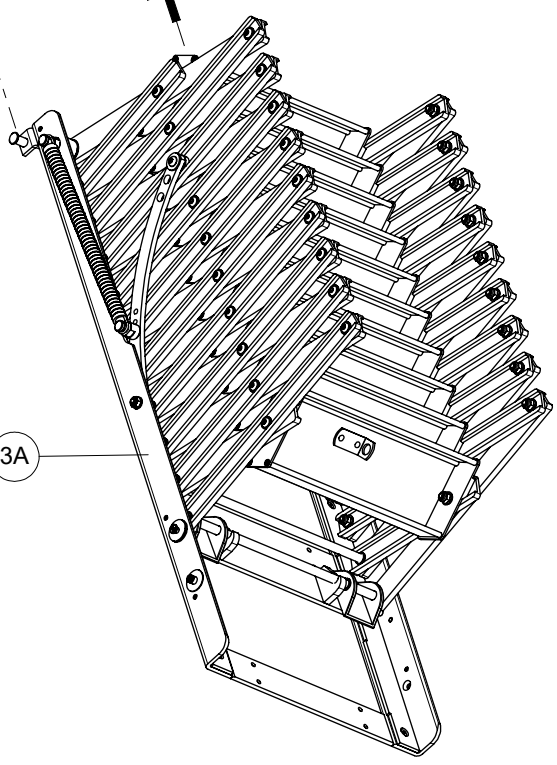
11-14



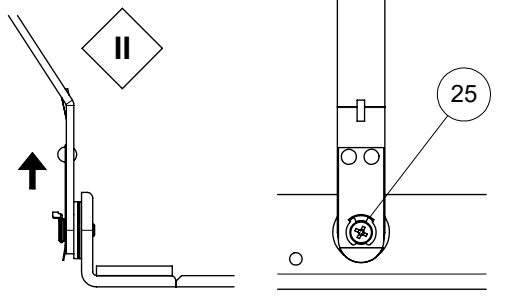
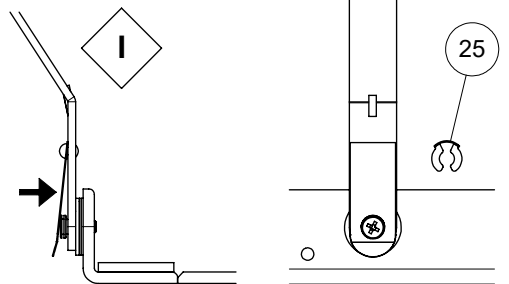
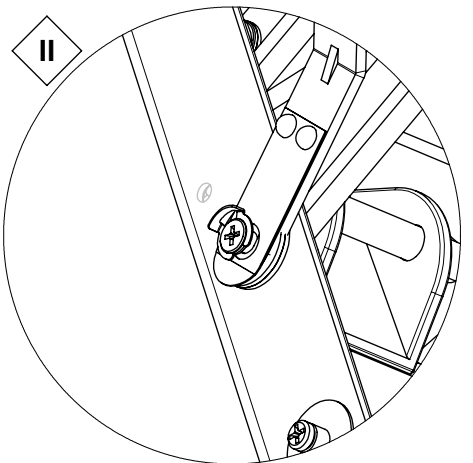
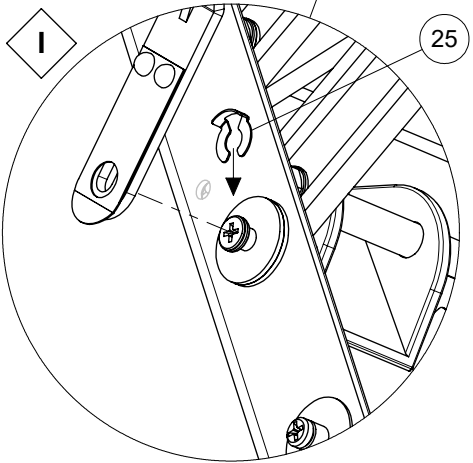
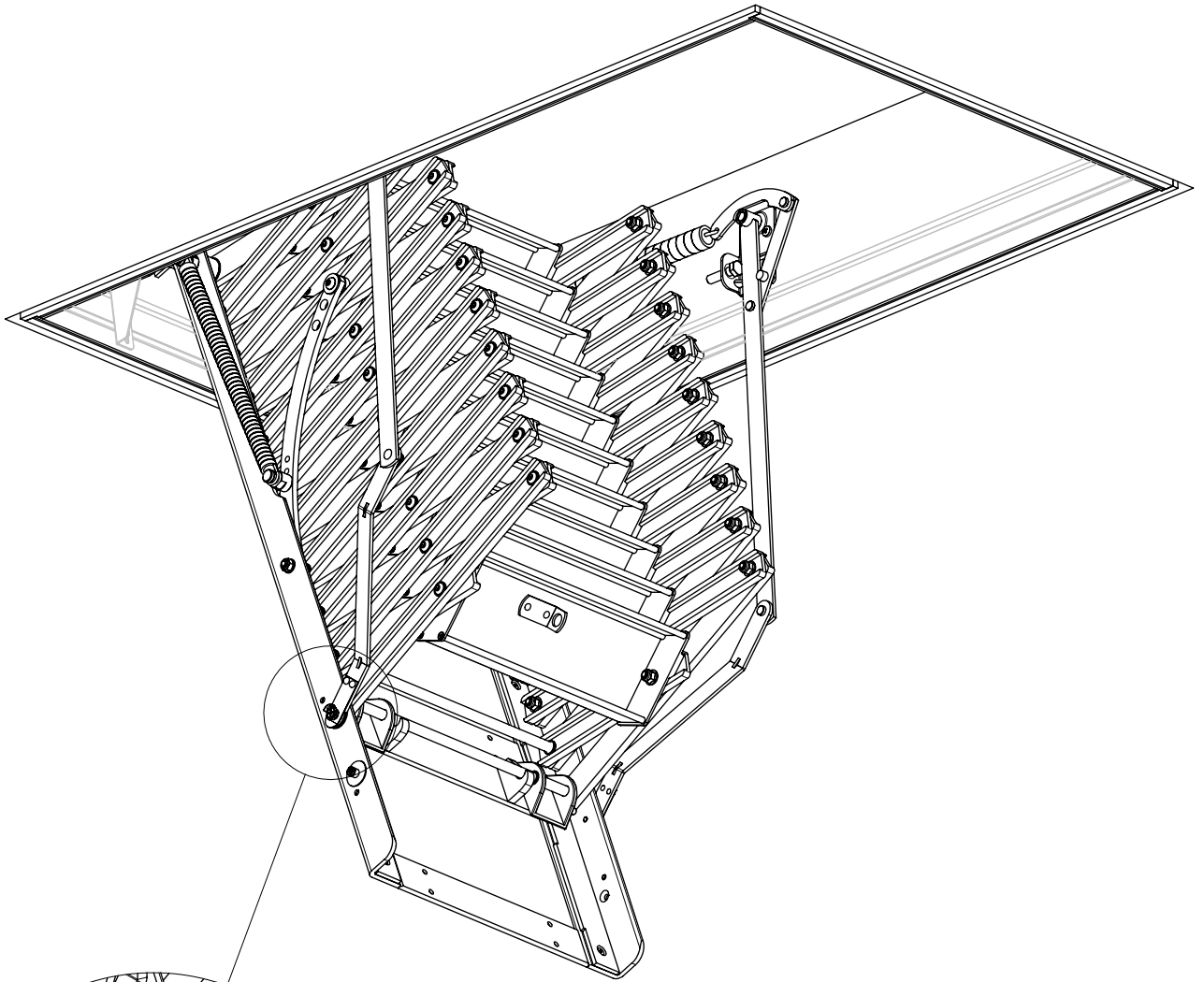




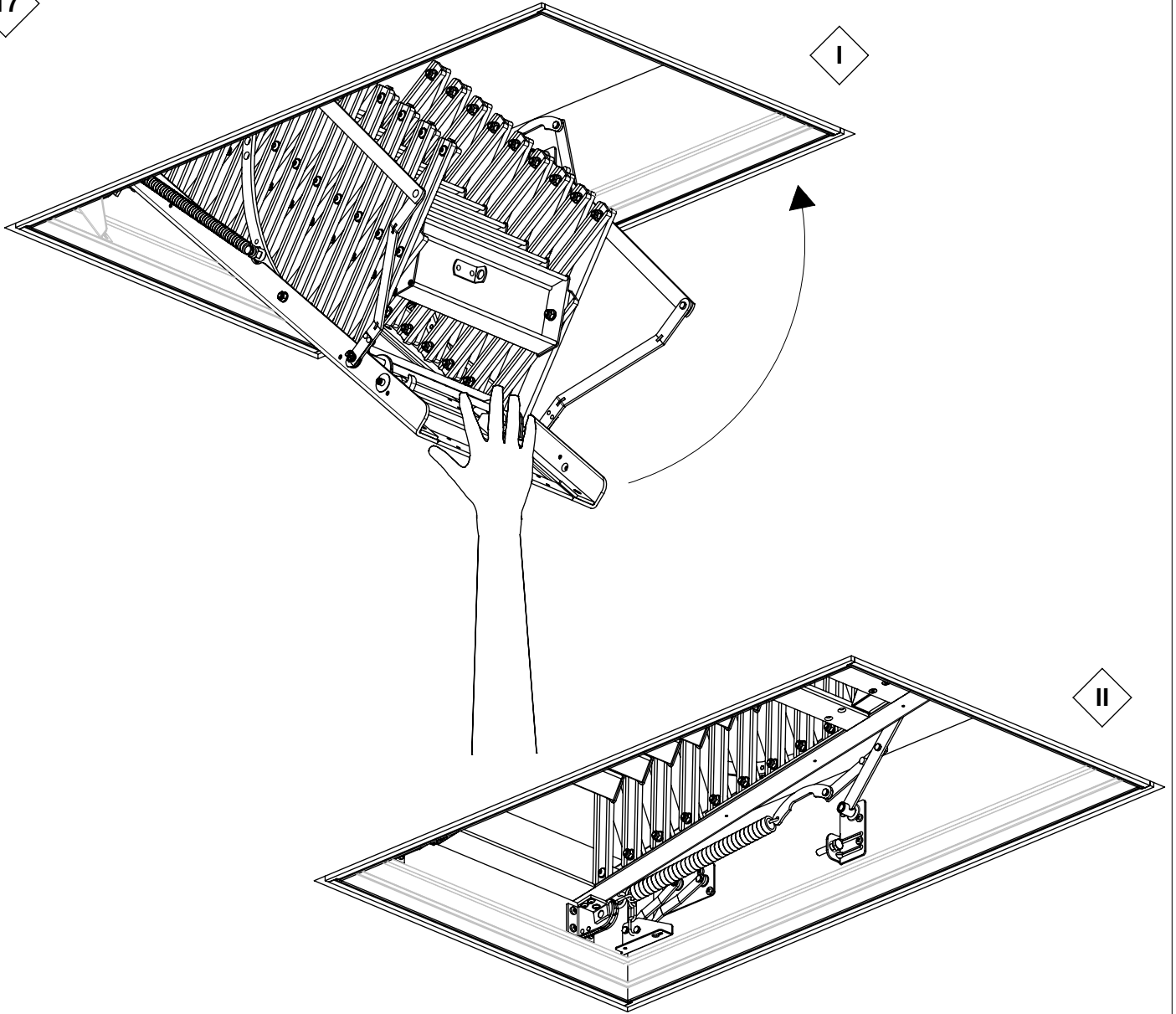
3A



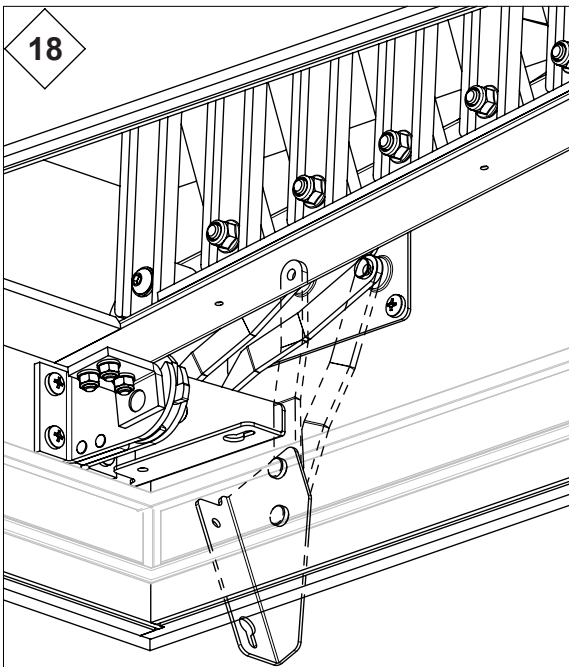




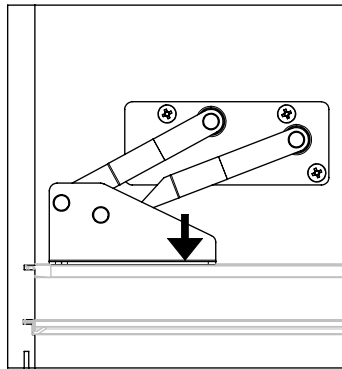
17



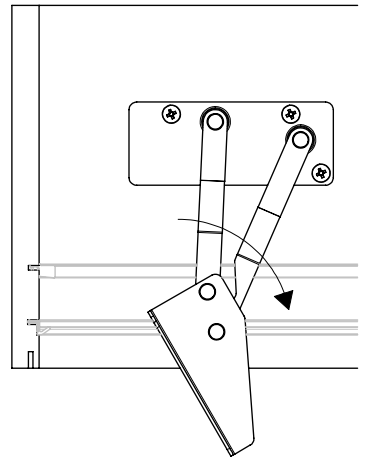
18

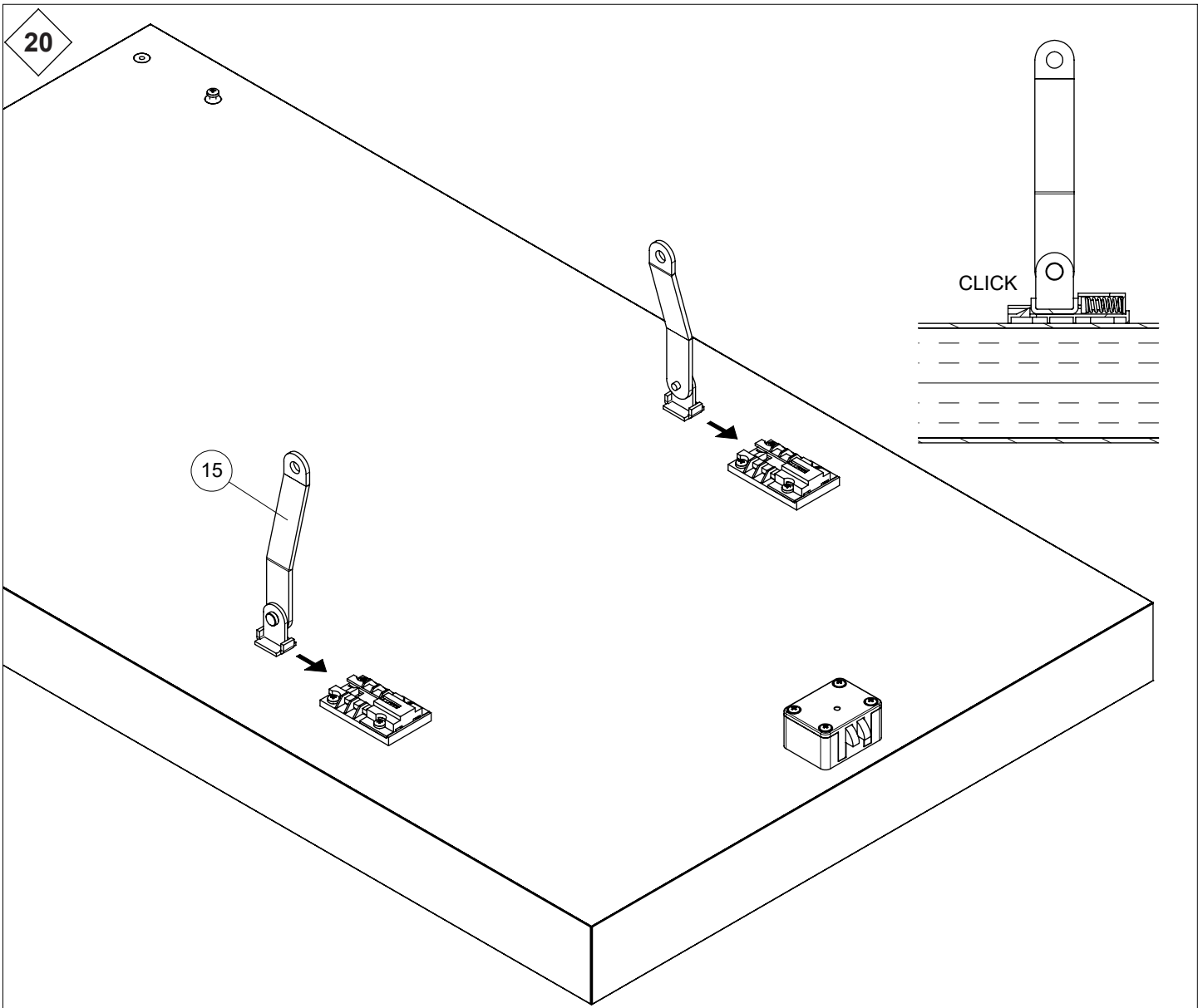
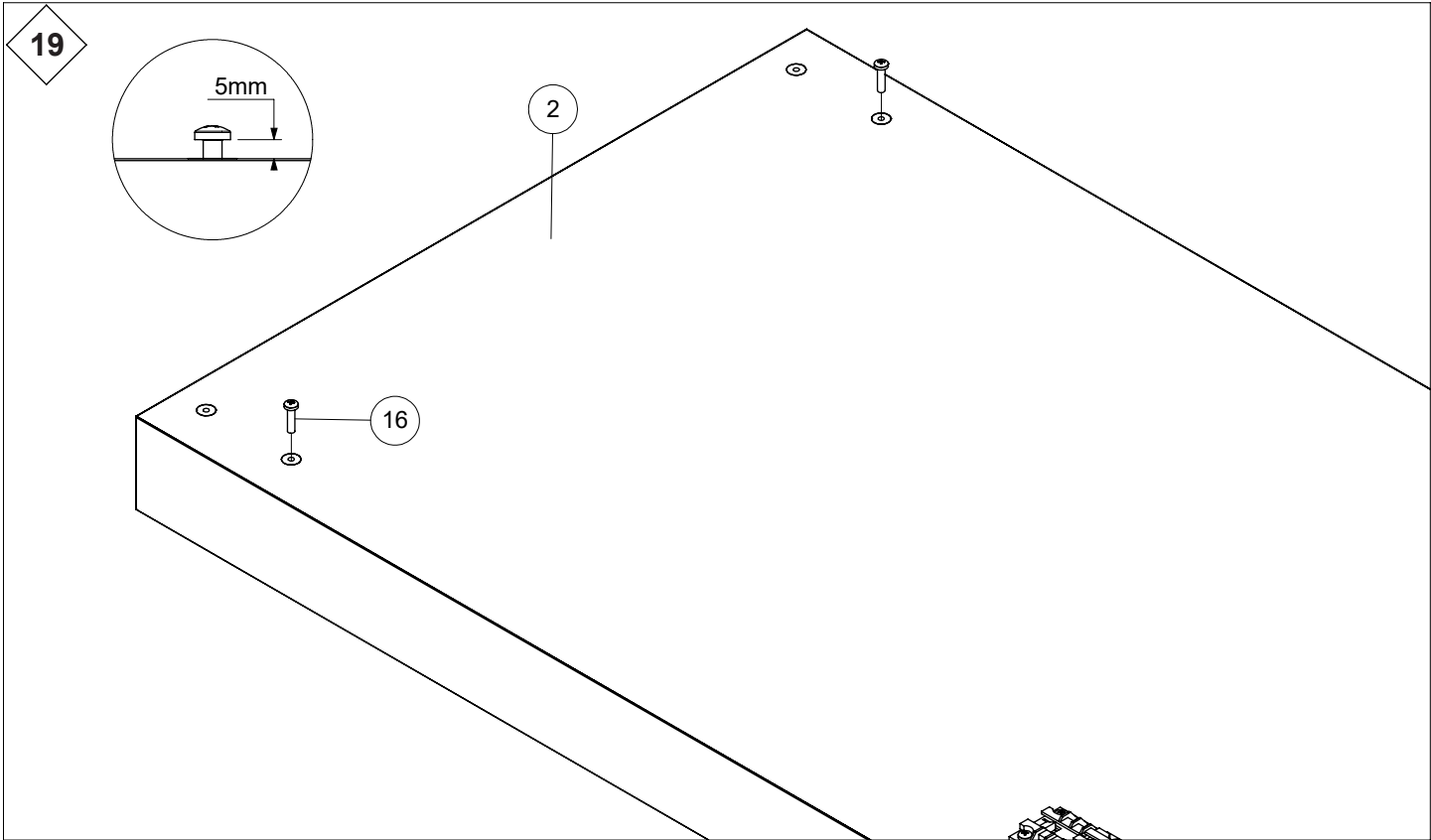


I

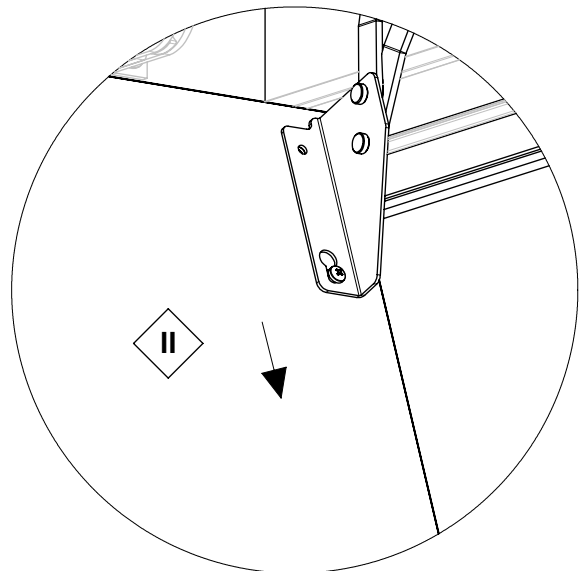
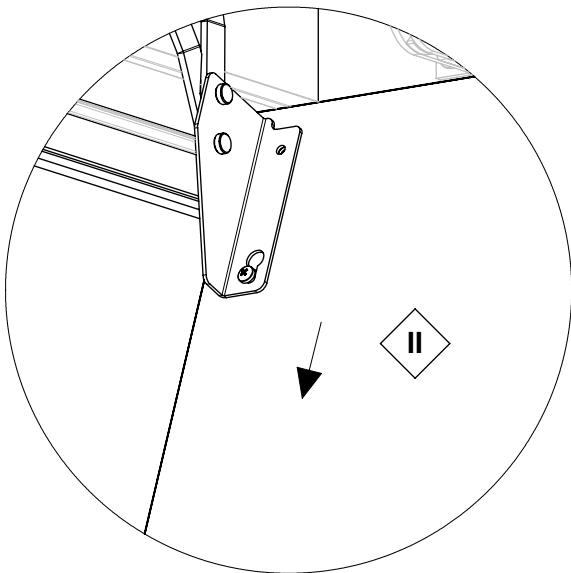
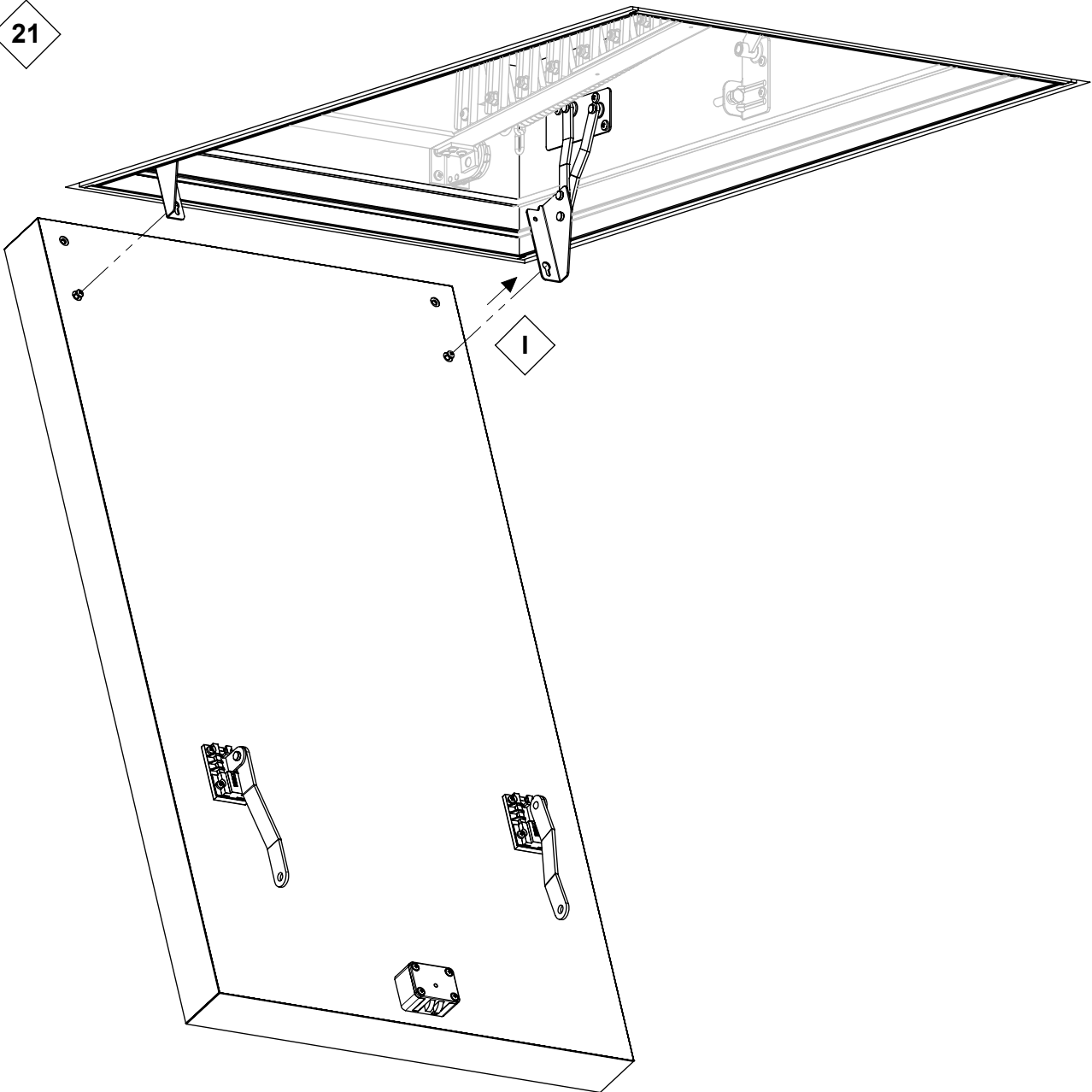


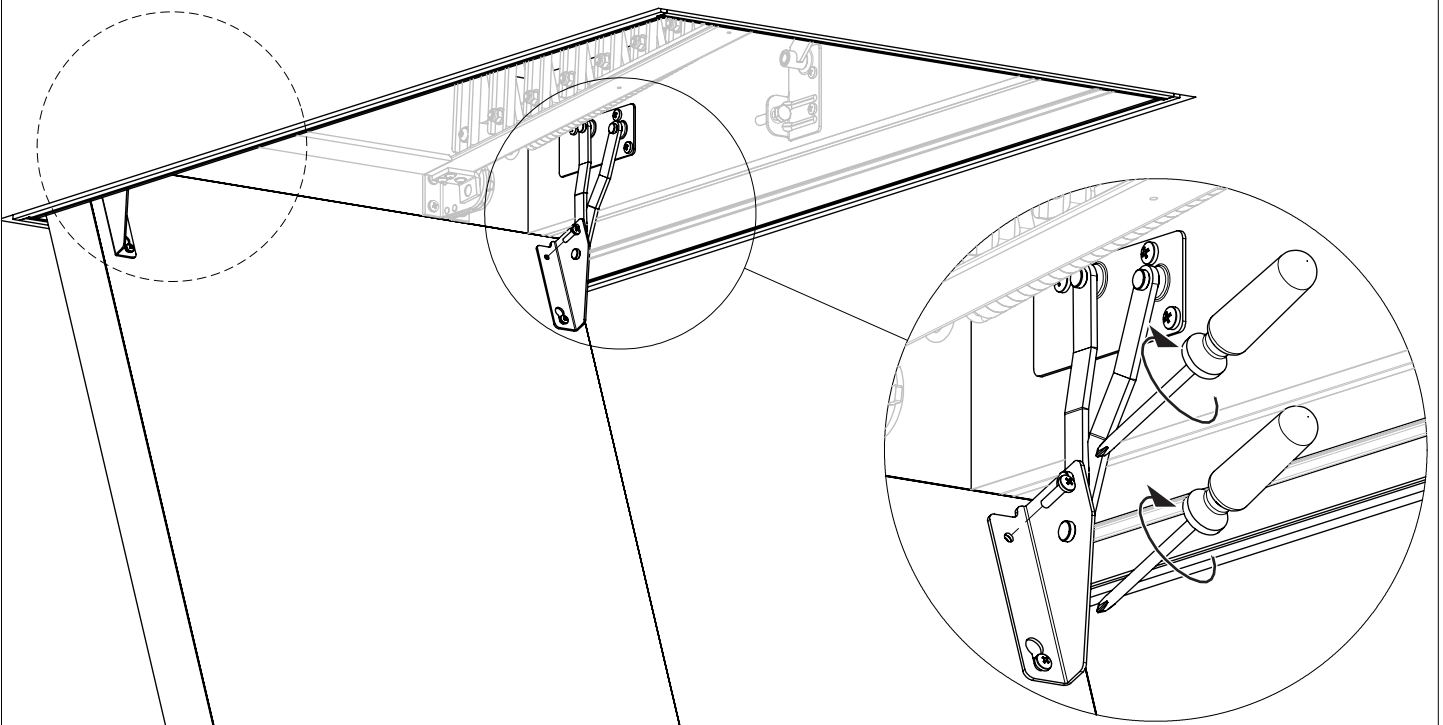
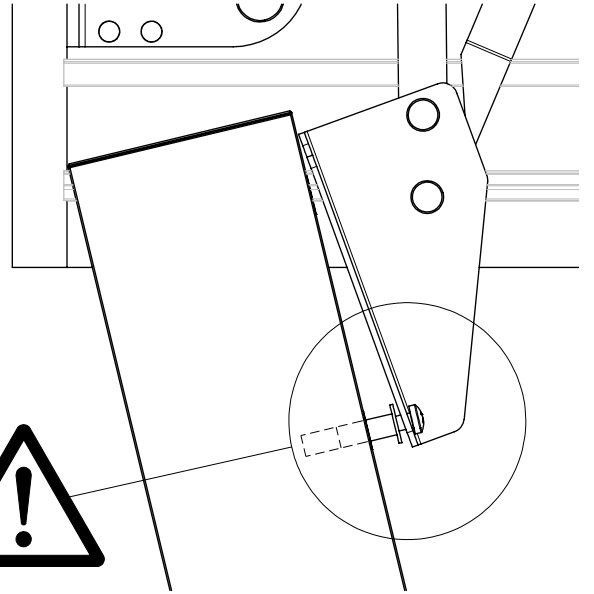
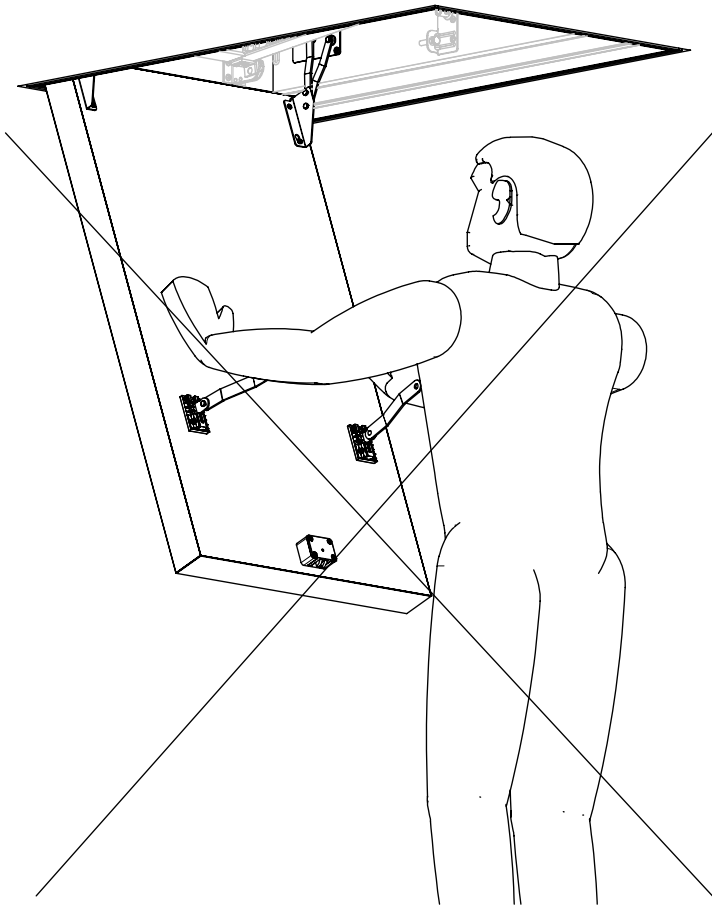
II



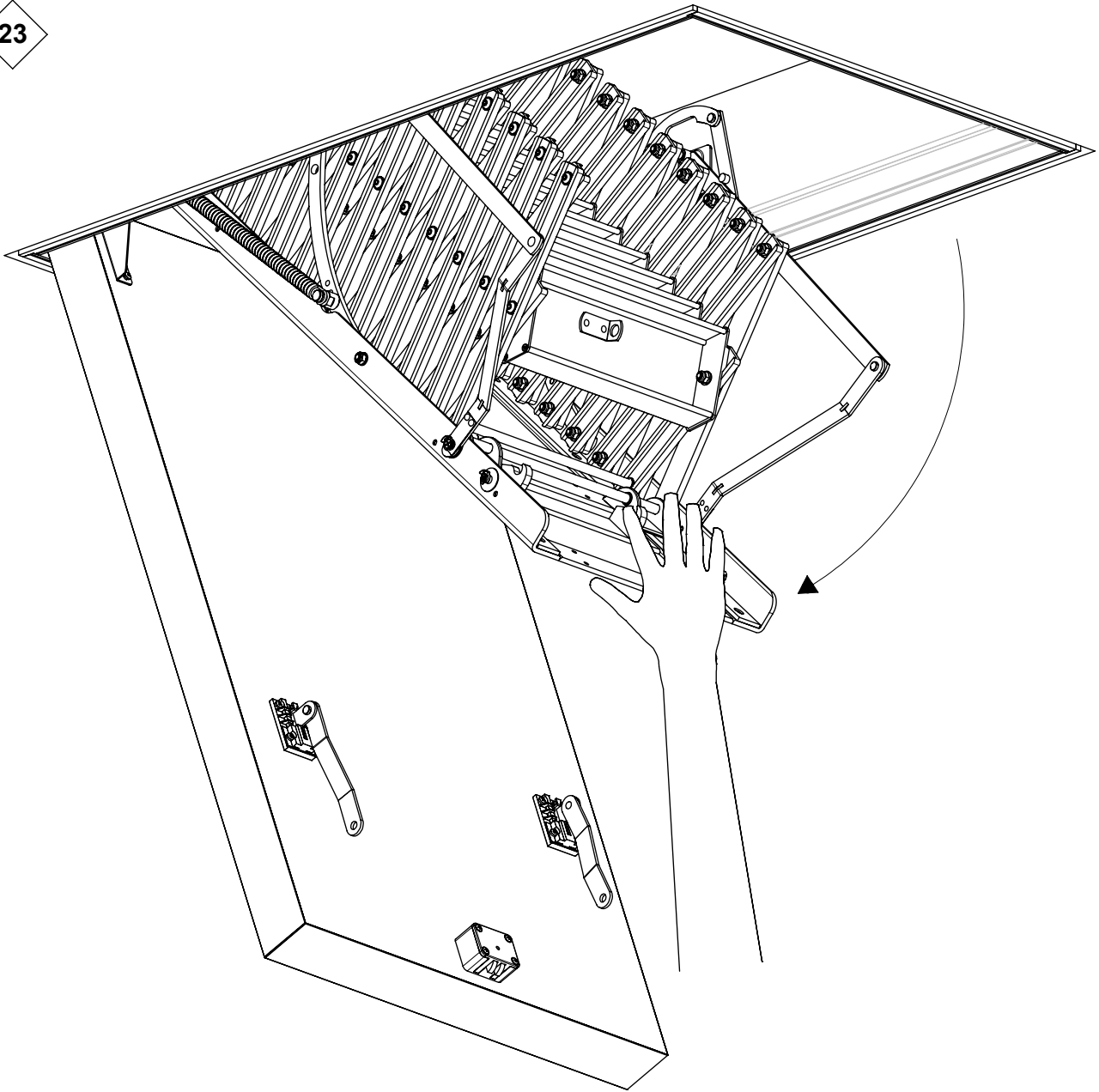


21

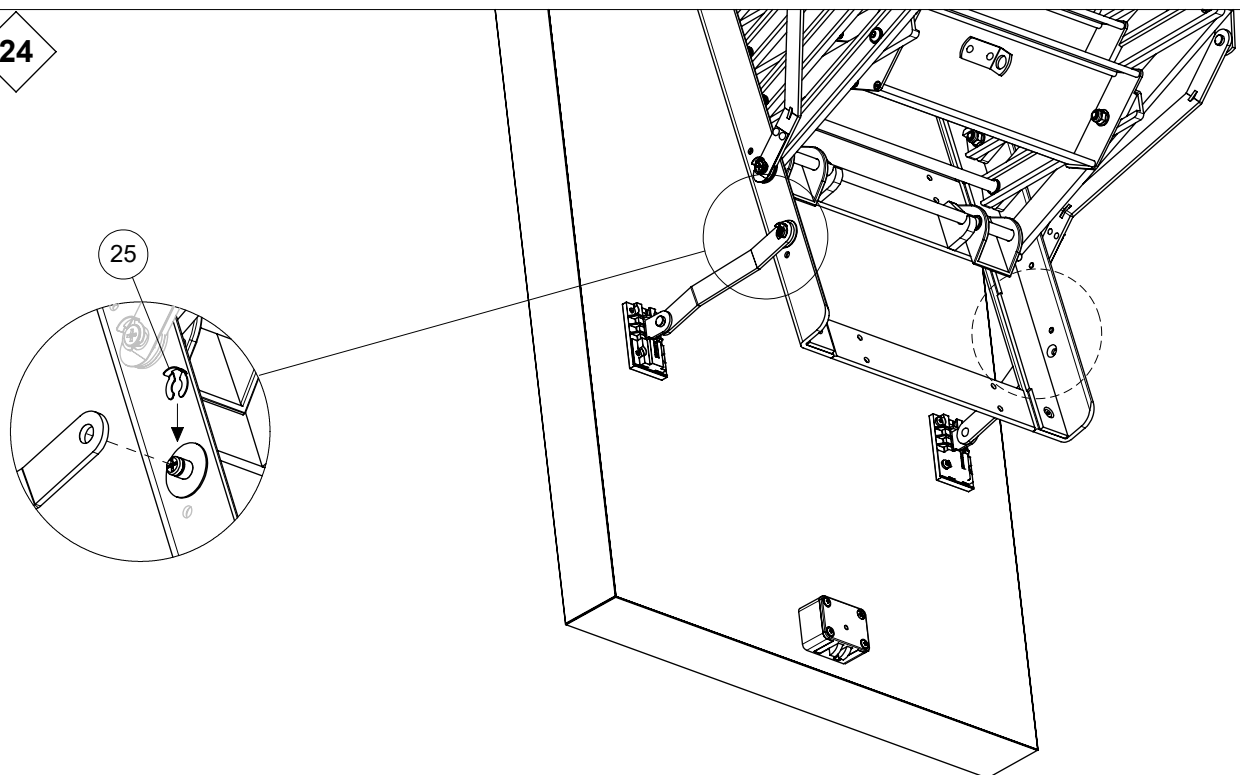


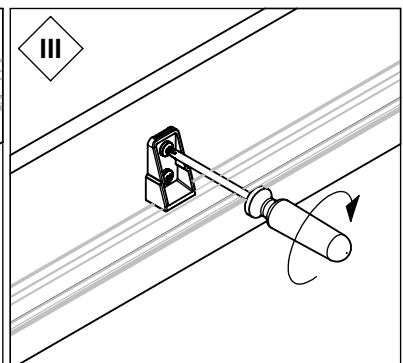
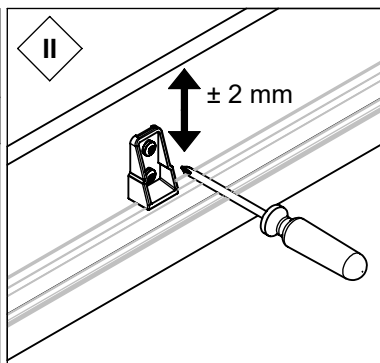
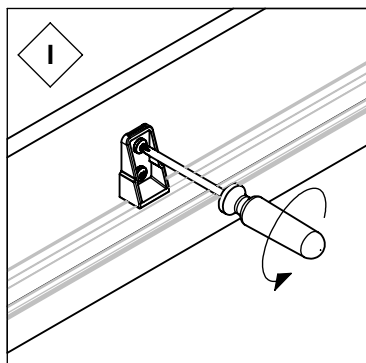
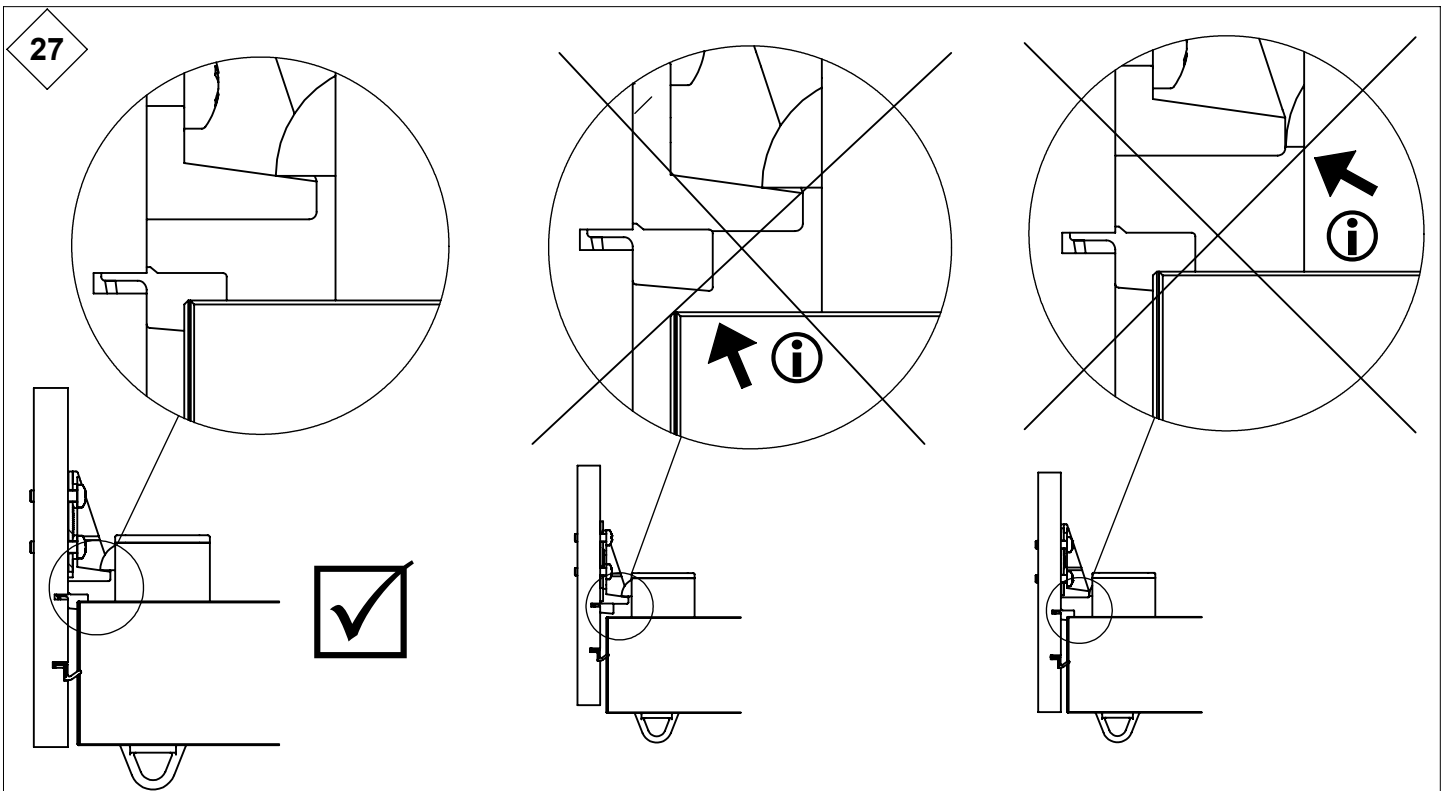
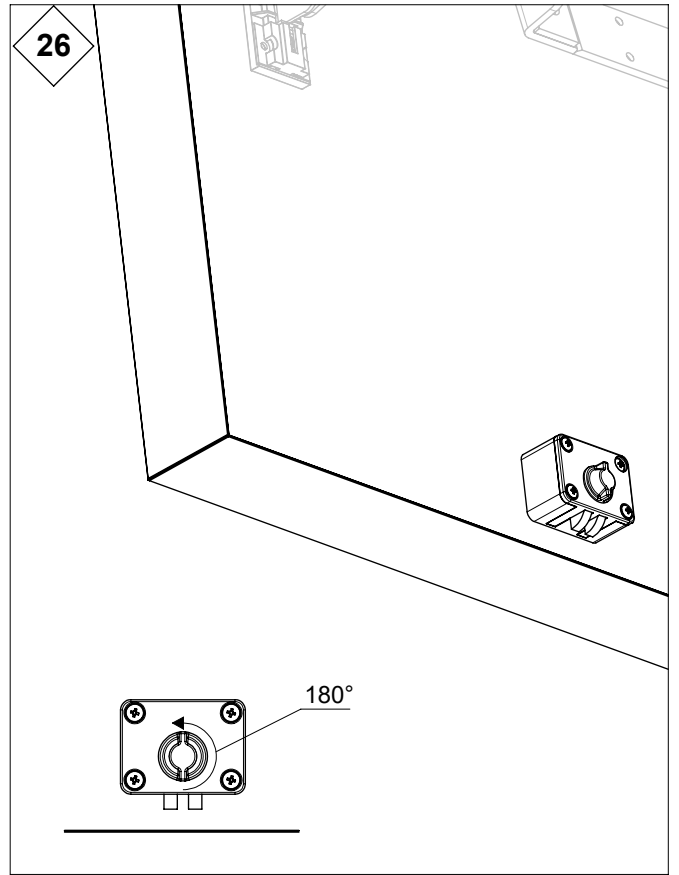
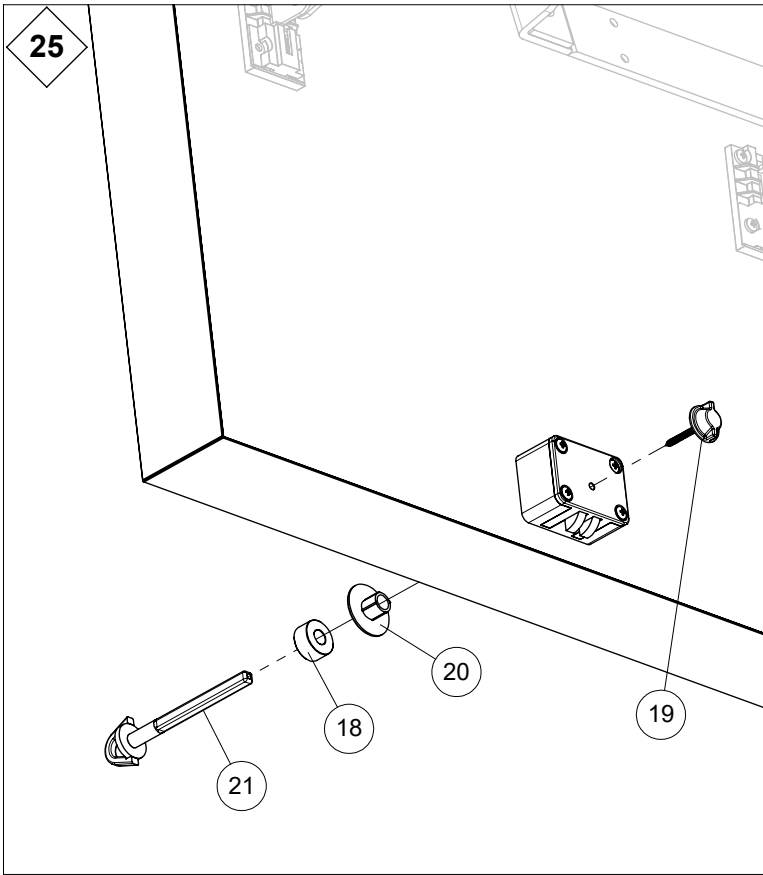


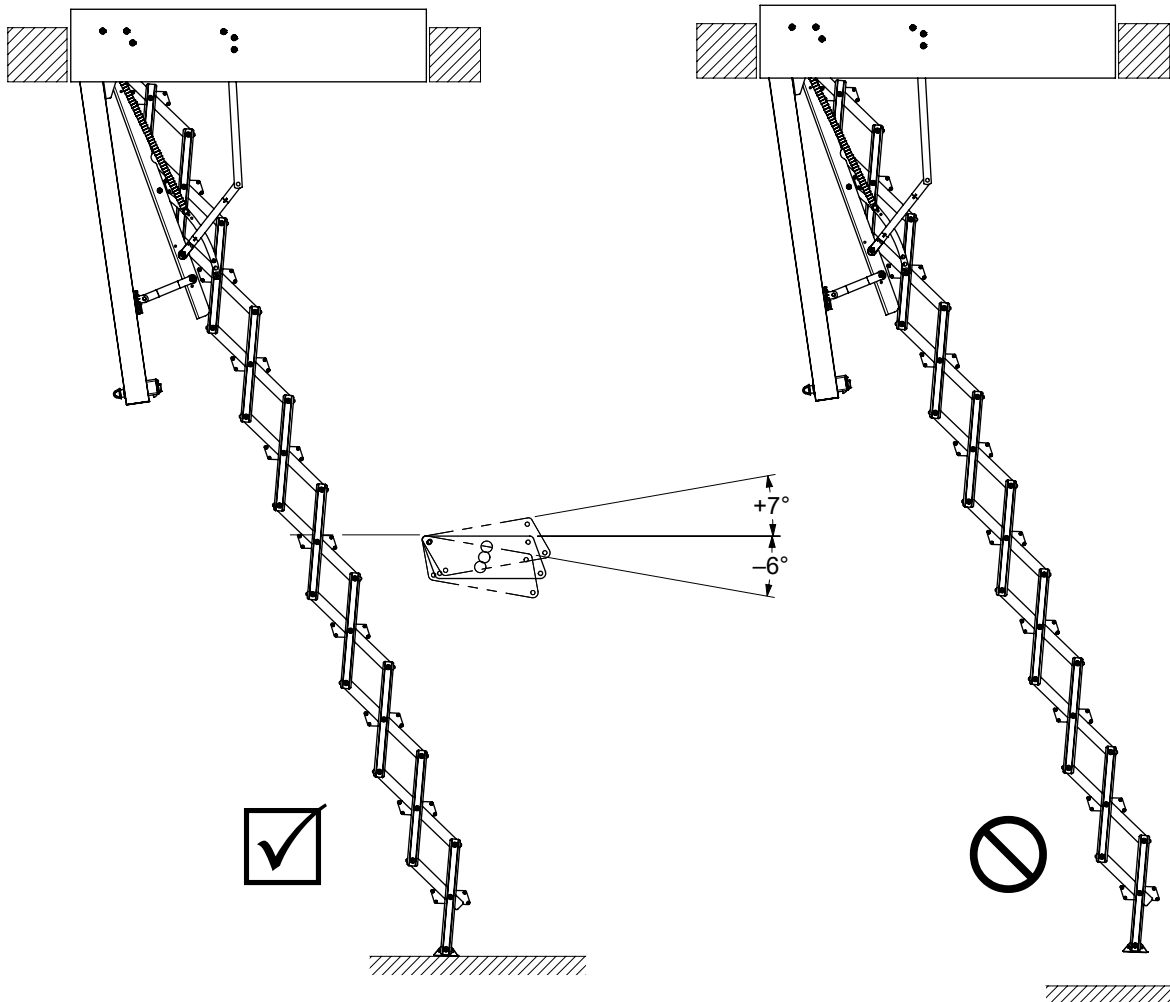
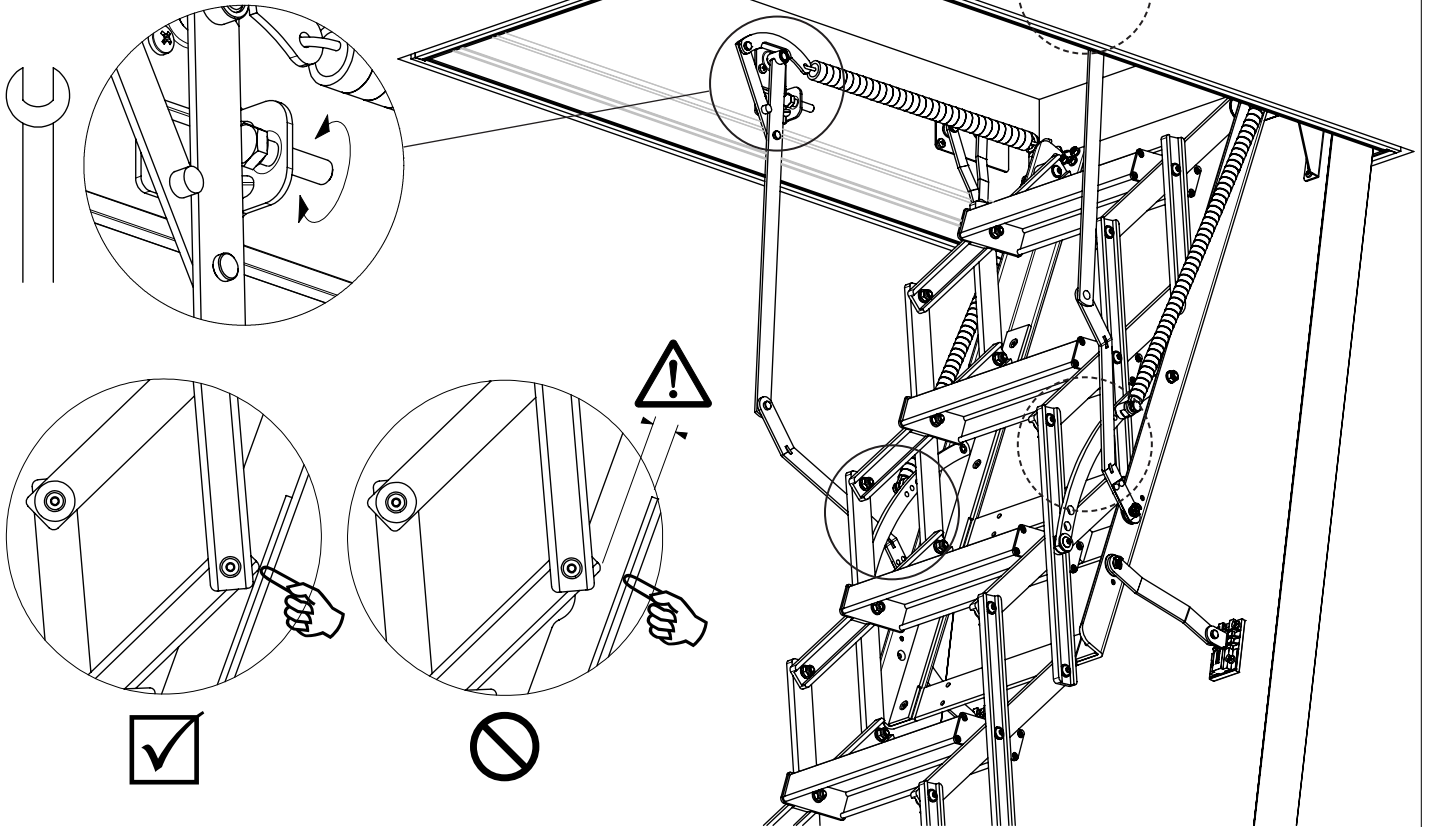
23



24

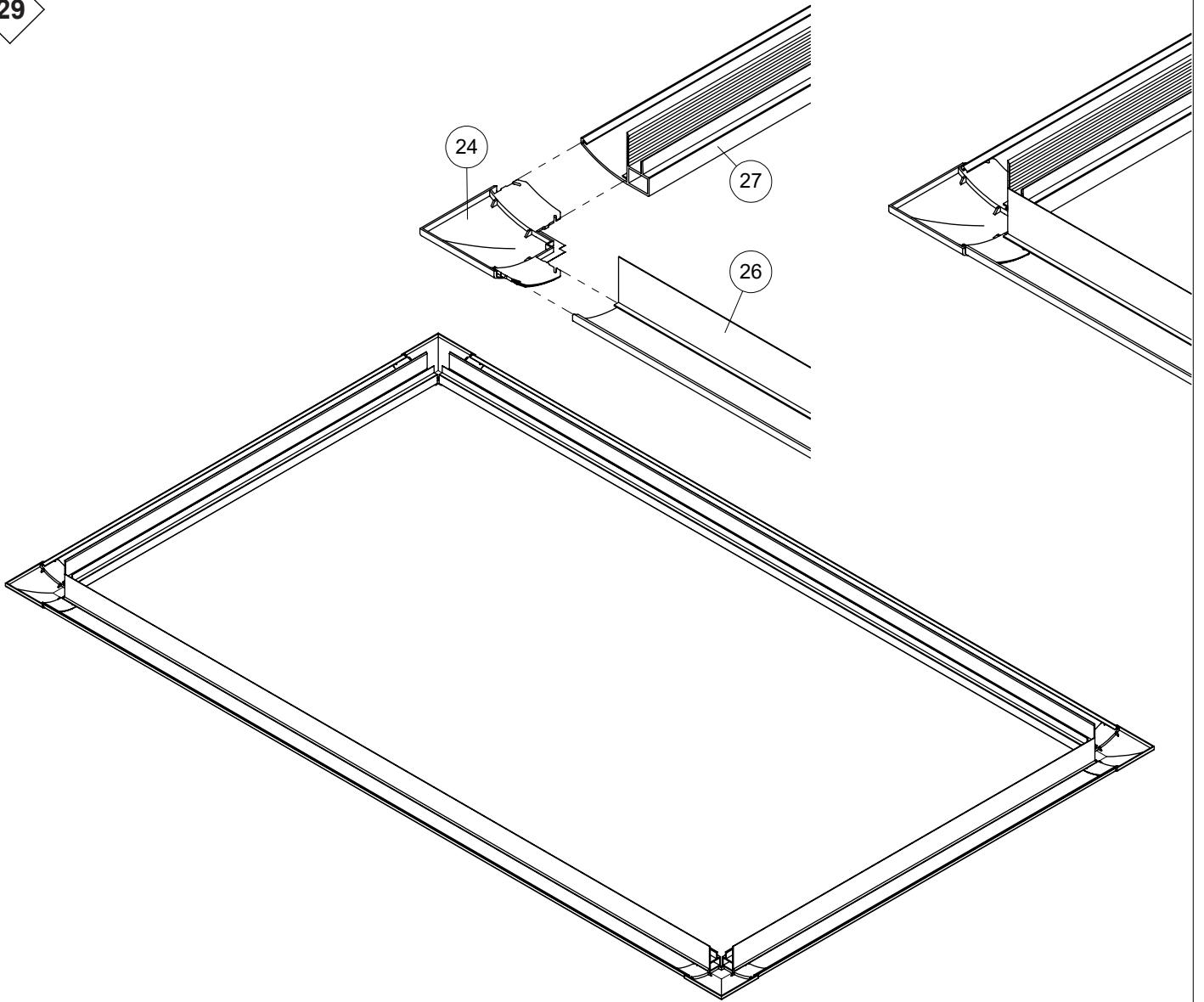




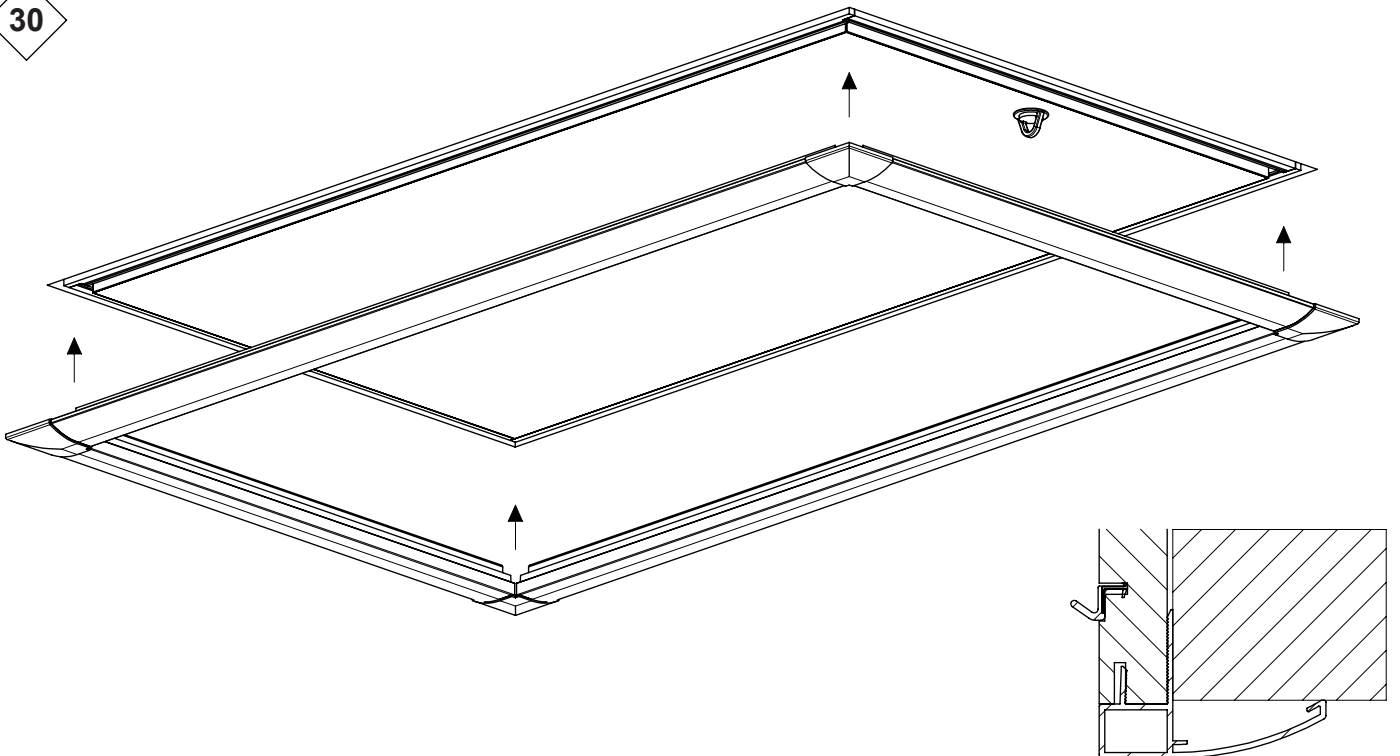




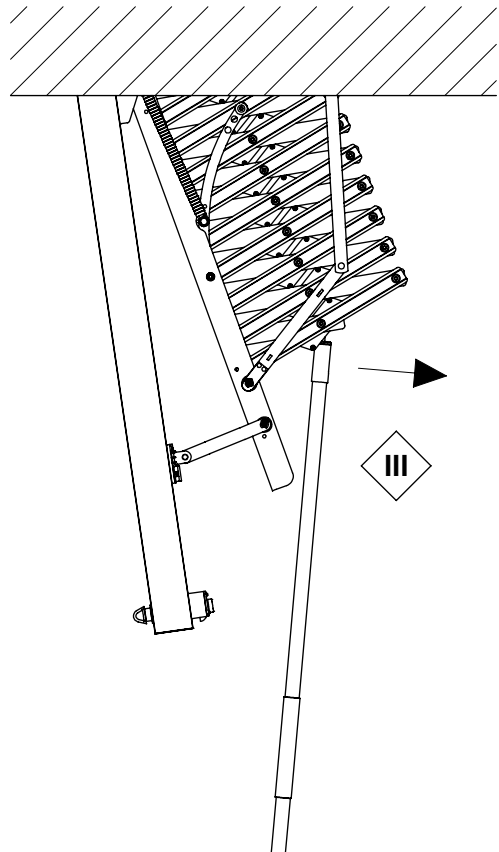
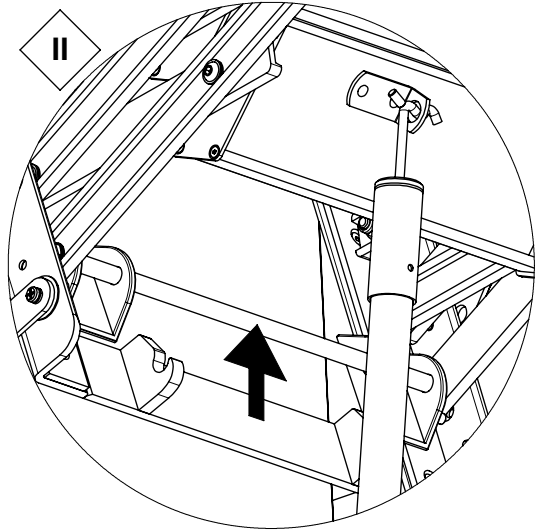
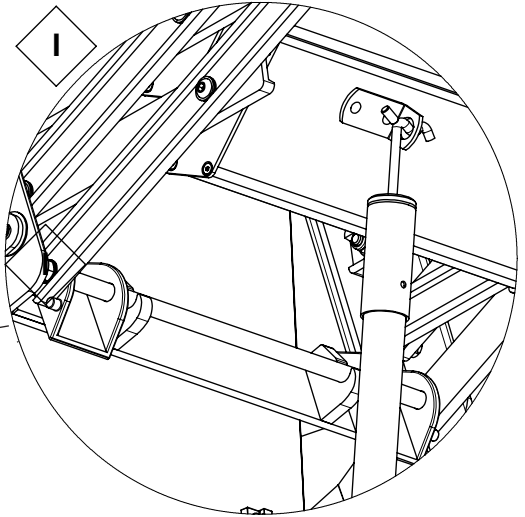
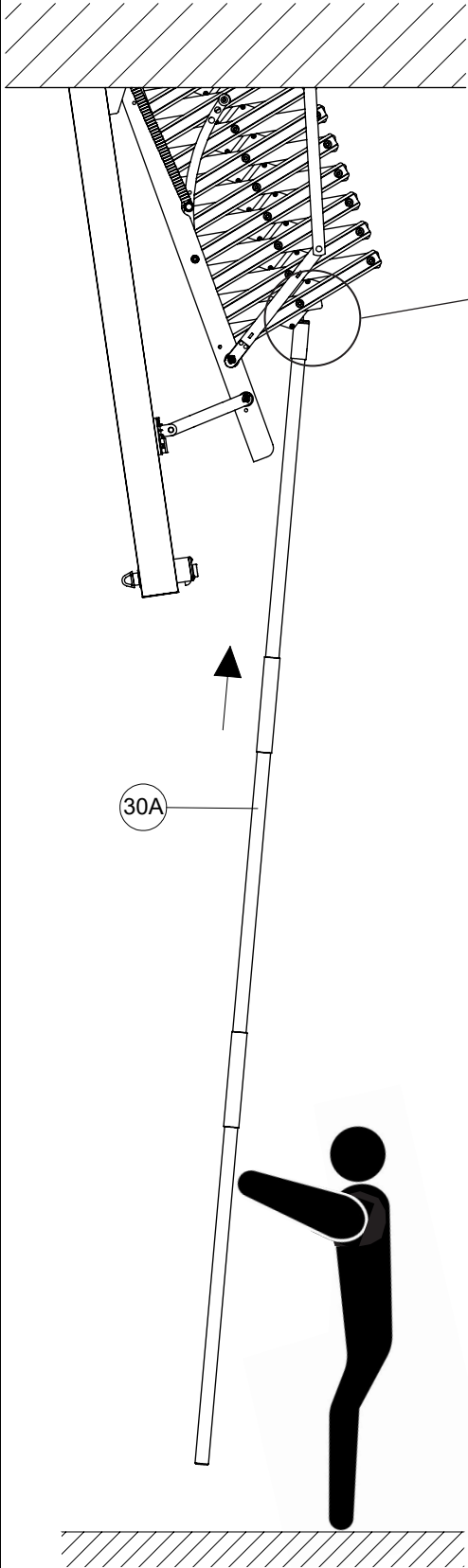
29



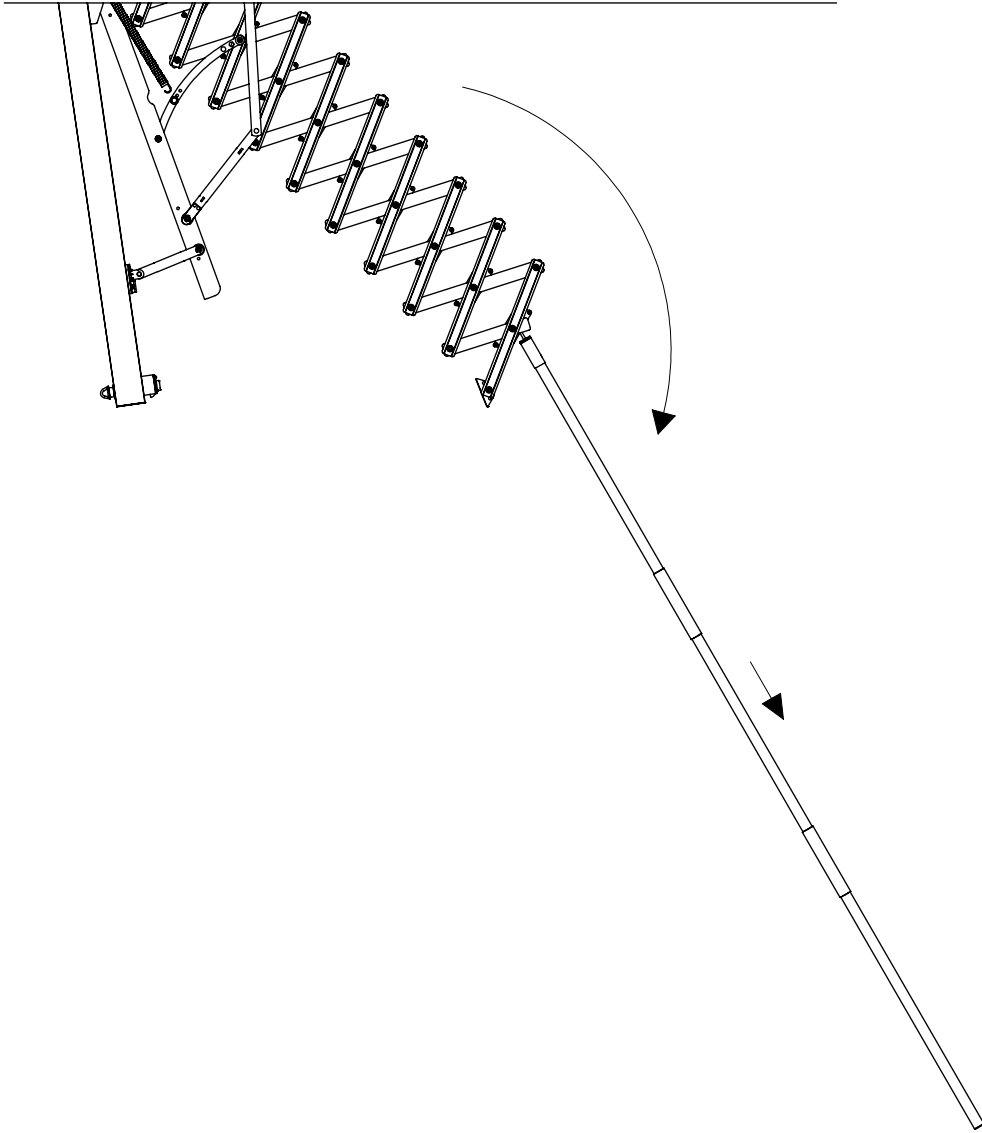
30



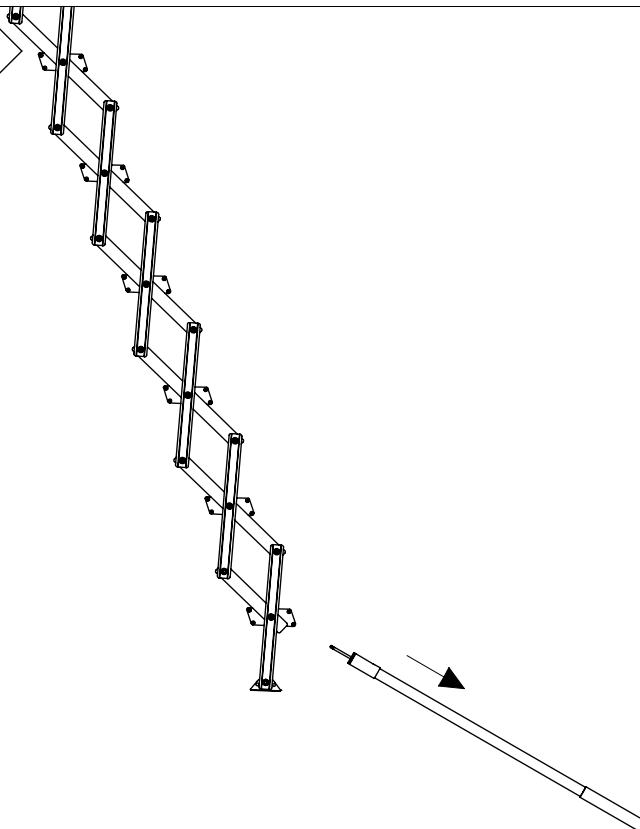
31



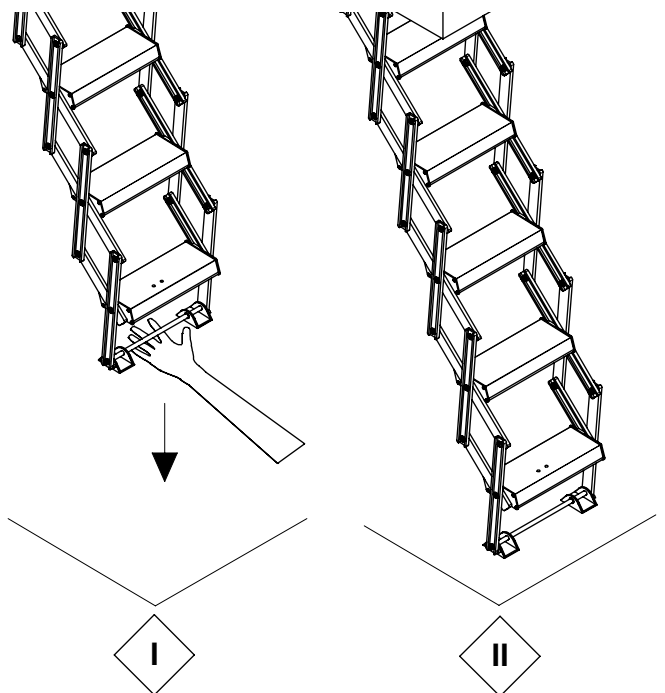
32



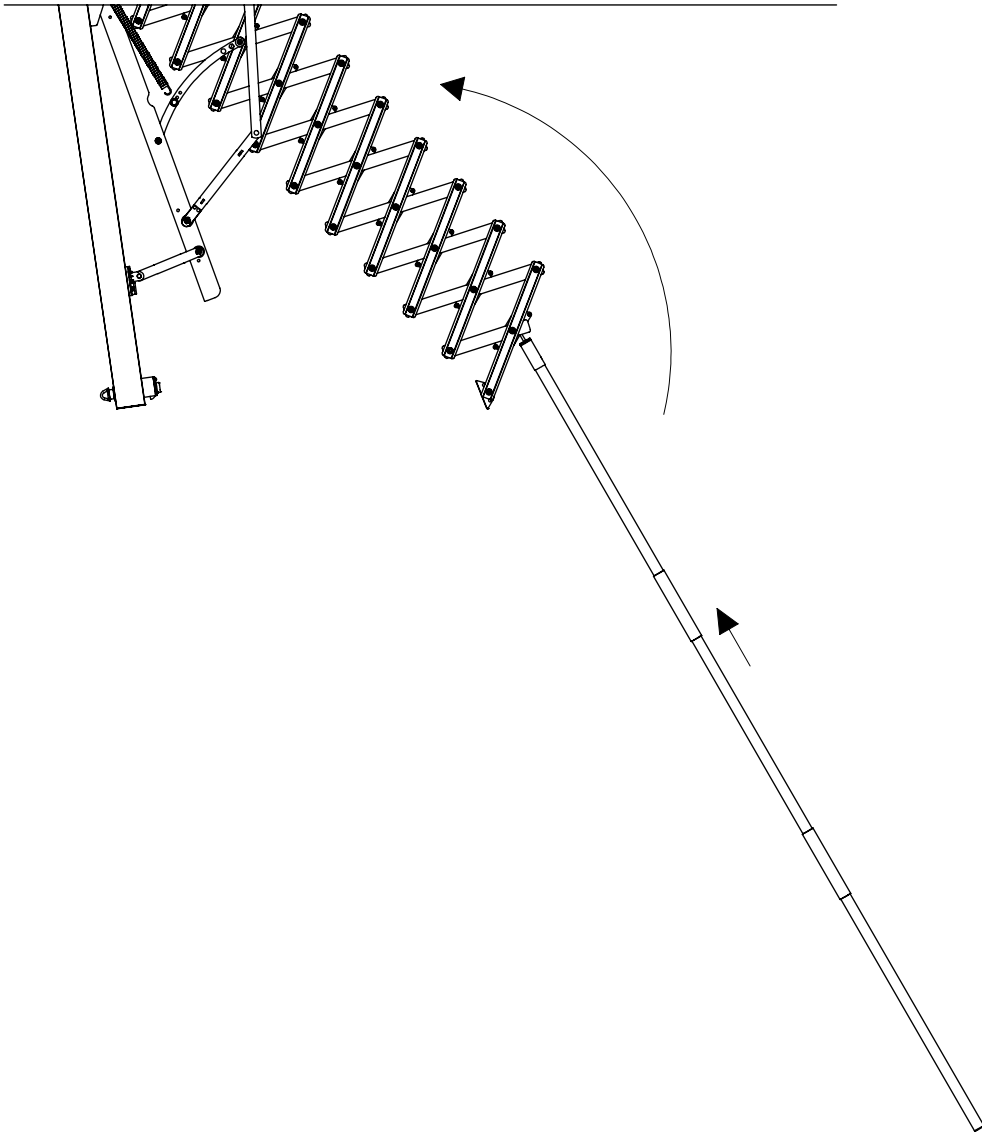
33



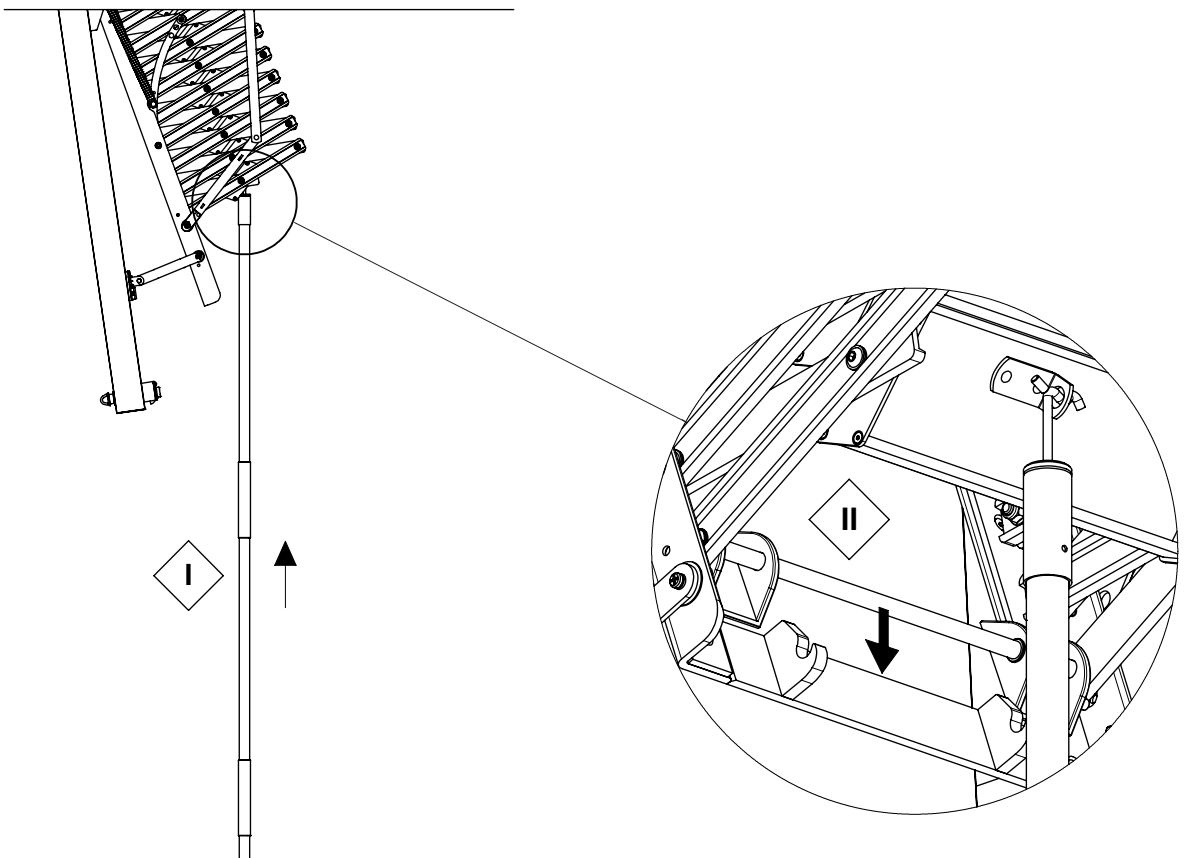
34



35



36



37

