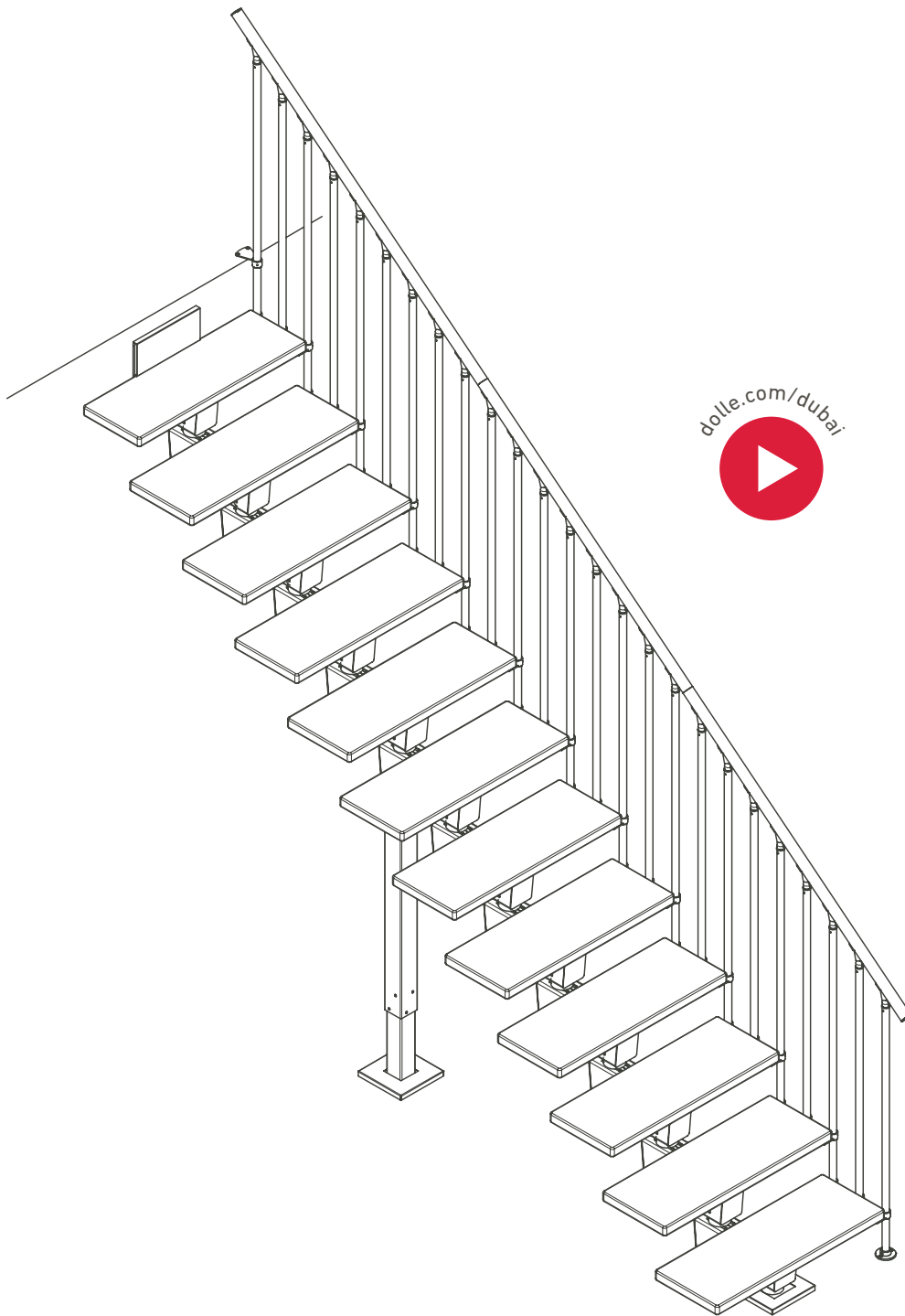


DOLLE®



dolle.com/dubai

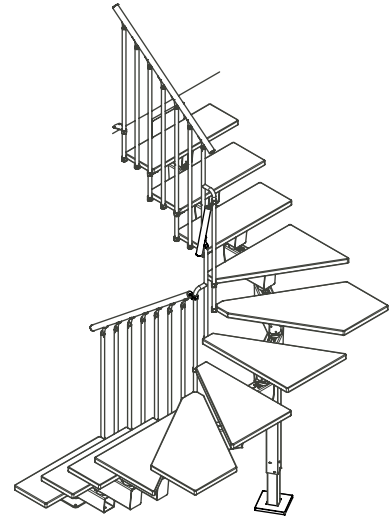
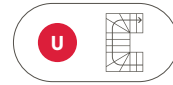
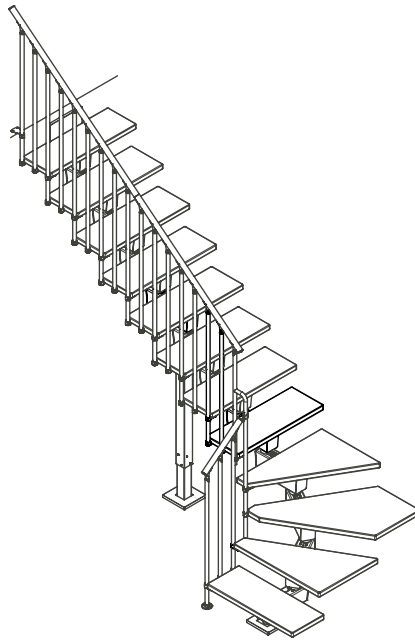
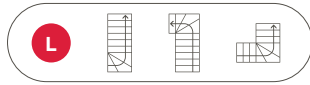
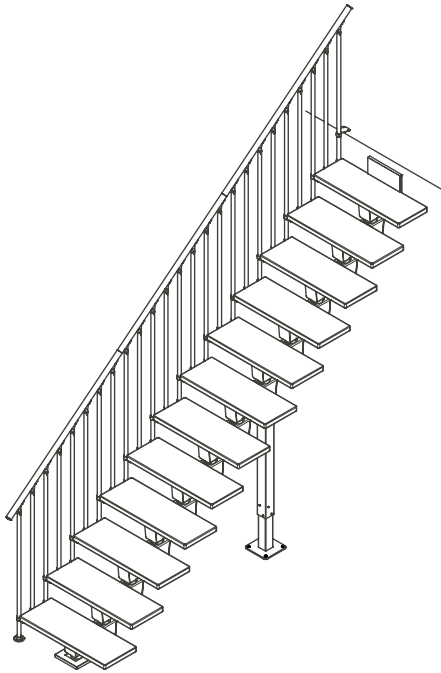
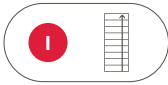
CLASSIC BANISTER

DUBAI

**INSTRUCTION / MONTAGEANLEITUNG
INSTRUKTION / INSTRUCCIÓN / INSTRUKCJA**

SOGEM®

PART OF DOLLE GROUP



	Height floor-to-floor	Rise height	Going (of tread)	Number of treads
	Geschosshöhe	Steigungshöhe	Auftrittsbreite	Anzahl Stufen
	Hauteur sol-sol	Hauteur de marche	Giron	Nombre de marches
	Altura de suelo/suelo	Altura de peldaños	Huella	Numero de peldaños
	Altura do chão / chão	Altura do degrau	Pegada	Número de etapas (degraus)
	Hoogte vloer/vloer	Hoogte trede	Aantrede	Aantal treden
	Etagehøjde	Stigningshøjde	Grund	Antal trin
	Gotv till gotv höjd	Stigningshöjd	Grund	Antal steg
	Wysokość kondygnacji od podłogi do podłogi	Wysokość stopnia	Głębokość stopnia	Ilość stopni
	Înălțime sol-sol	Înălțime treaptă	Lățime utilă treaptă	Număr trepte
	Výška patra podlaha-podlaha	Výška schodu	Hloubka nášlapu	Počet nášlapů
	Висота от пола до пола	Шаг ступени	Глубина ступени	Кол-во ступеней
	Aukšto aukštis	Pakopos aukštis	Pakopos gylis	Pakopų kiekis
	Stáva augstums	Pakāpiena augstums	Pakāpiena dziļums	Pakāpienu skaits
	Korruse kõrgus	Astme kõrgus	Astme sügavus	Astmete arv
	Višina nadstropja	Višina stopnice	Hodalna globina stopnice	Število stopnic
	Visina kata	Visina stepenice	Dubina stuba	Broj stepenica
	Výška podlažia	Výška stupňa	Hĺbka stupňa	Počet stupňov

1

x 1
K2-1077800 RAL 7016
K2-1077801 RAL 9005
K2-1077802 Pearl grey
K2-1077803 RAL 9016

2

K2-1077805 RAL 7016
K2-1077806 RAL 9005
K2-1077807 Pearl grey
K2-1077808 RAL 9016

11	12	13	14	15	16	
x	8	9	10	11	12	13

3

x 1
K2-1077810 RAL 7016
K2-1077811 RAL 9005
K2-1077812 Pearl grey
K2-1077813 RAL 9016

4

x 1
K2-1077815 RAL 7016
K2-1077816 RAL 9005
K2-1077817 Pearl grey
K2-1077818 RAL 9016

5

x 1
K2-1077820 RAL 7016
K2-1077821 RAL 9005
K2-1077822 Pearl grey
K2-1077823 RAL 9016

6

K2-1077825 RAL 7016
K2-1077806 RAL 9005
K2-1077807 Pearl grey
K2-1077808 RAL 9016

11	12	13	14	15	16	
x	10	11	12	13	14	15

7

11	12	13	14	15	16	
x	10	11	12	13	14	15

K1-1077828

8

x 1
K1-1077872

12

11	12	13	14	15	16	
x	10	11	12	13	14	15

K1-1077835 RAL 7016
K1-1077836 RAL 9005
K1-1077837 Pearl grey
K1-1077838 RAL 9016

13

11	12	13	14	15	16	
x	9	10	11	12	13	14

K1-1077865 RAL 7016
K1-1077866 RAL 9005
K1-1077867 Pearl grey
K1-1077868 RAL 9016

14

x 1
K1-1077830 RAL 7016
K1-1077831 RAL 9005
K1-1077832 Pearl grey
K1-1077833 RAL 9016

9

x 1
K2-1077840 RAL 7016
K2-1077841 RAL 9005
K2-1077842 Pearl grey
K2-1077843 RAL 9016

10

x 1
K2-1077840 RAL 7016
K2-1077841 RAL 9005
K2-1077842 Pearl grey
K2-1077843 RAL 9016

11

x 1
K1-1077580 RAL 7016
K1-1077581 RAL 9005
K1-1077582 Pearl grey
K1-1077583 RAL 9016

15

11	12	13	14	15	16	
x	10	11	12	13	14	15

K1-1077835 RAL 7016
K1-1077836 RAL 9005
K1-1077837 Pearl grey
K1-1077838 RAL 9016

16

x 1
K1-1077570 RAL 7016
K1-1077571 RAL 9005
K1-1077572 Pearl grey
K1-1077573 RAL 9016

17

x 4
R3-20590

18

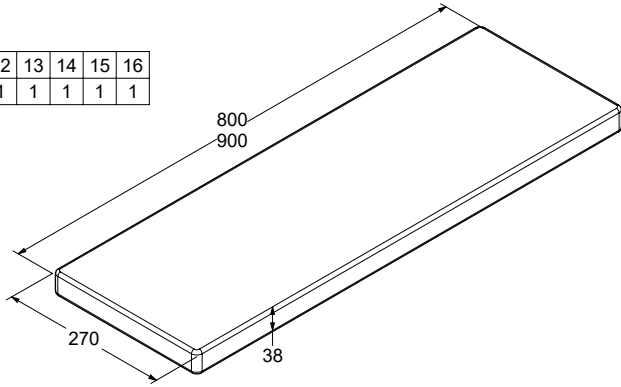
x 1
K1-1077575 RAL 7016
K1-1077576 RAL 9005
K1-1077577 Pearl grey
K1-1077578 RAL 9016

19

x 1
K1-1077855 RAL 7016
K1-1077856 RAL 9005
K1-1077857 Pearl grey
K1-1077858 RAL 9016

20

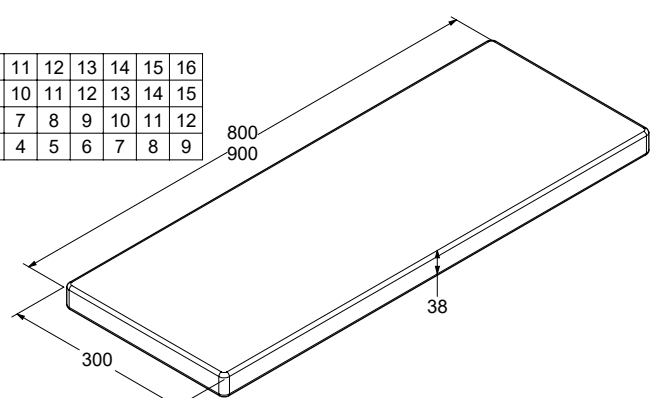
	11	12	13	14	15	16
x	1	1	1	1	1	1



- M2-1078500 800 mm Beech / Buche / Beuk / Hêtre / Bøg
- M2-1078510 800 mm Oak / Eiche / Eik / Chêne / Eg
- M2-1078520 800 mm Oak white / Eiche weiss / Eik wit / Chêne blanc / Eg hvid
- M2-1078550 900 mm Beech / Buche / Beuk / Hêtre / Bøg
- M2-1078560 900 mm Oak / Eiche / Eik / Chêne / Eg
- M2-1078570 900 mm Oak white / Eiche weiss / Eik wit / Chêne blanc / Eg hvid

21

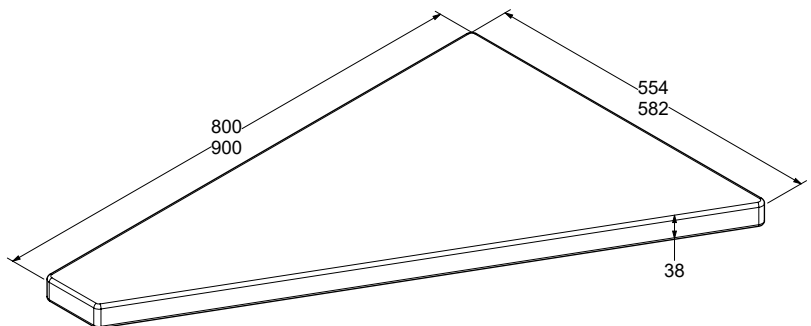
	11	12	13	14	15	16	
x	I	10	11	12	13	14	15
	L	7	8	9	10	11	12
	U	4	5	6	7	8	9



- M2-1078501 800 mm Beech / Buche / Beuk / Hêtre / Bøg
- M2-1078511 800 mm Oak / Eiche / Eik / Chêne / Eg
- M2-1078521 800 mm Oak white / Eiche weiss / Eik wit / Chêne blanc / Eg hvid
- M2-1078551 900 mm Beech / Buche / Beuk / Hêtre / Bøg
- M2-1078561 900 mm Oak / Eiche / Eik / Chêne / Eg
- M2-1078571 900 mm Oak white / Eiche weiss / Eik wit / Chêne blanc / Eg hvid

24

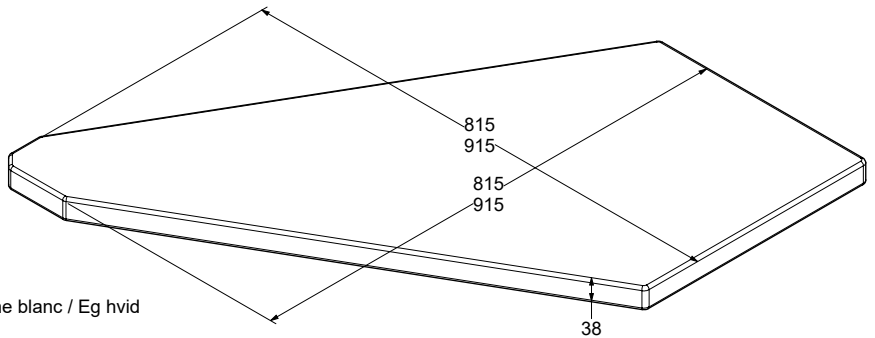
	I	0
x	L	1
	U	2



- M2-1078507 800 mm Beech / Buche / Beuk / Hêtre / Bøg
- M2-1078517 800 mm Oak / Eiche / Eik / Chêne / Eg
- M2-1078527 800 mm Oak white / Eiche weiss / Eik wit / Chêne blanc / Eg hvid
- M2-1078557 900 mm Beech / Buche / Beuk / Hêtre / Bøg
- M2-1078567 900 mm Oak / Eiche / Eik / Chêne / Eg
- M2-1078577 900 mm Oak white / Eiche weiss / Eik wit / Chêne blanc / Eg hvid

23

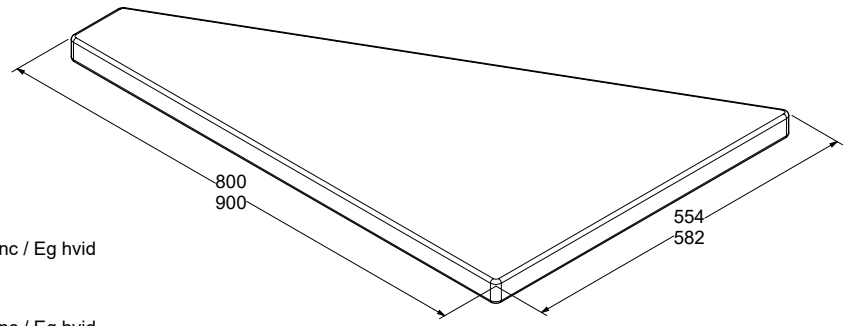
	I	0
x	L	1
	U	2



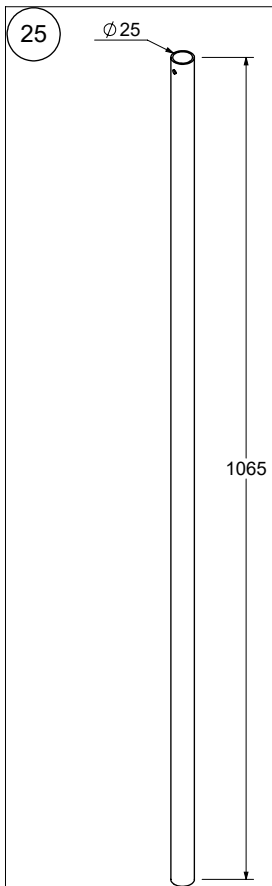
- M2-1078508 800 mm Beech / Buche / Beuk / Hêtre / Bøg
- M2-1078518 800 mm Oak / Eiche / Eik / Chêne / Eg
- M2-1078528 800 mm Oak white / Eiche weiss / Eik wit / Chêne blanc / Eg hvid
- M2-1078558 900 mm Beech / Buche / Beuk / Hêtre / Bøg
- M2-1078568 900 mm Oak / Eiche / Eik / Chêne / Eg
- M2-1078578 900 mm Oak white / Eiche weiss / Eik wit / Chêne blanc / Eg hvid

22

	I	0
x	L	1
	U	2

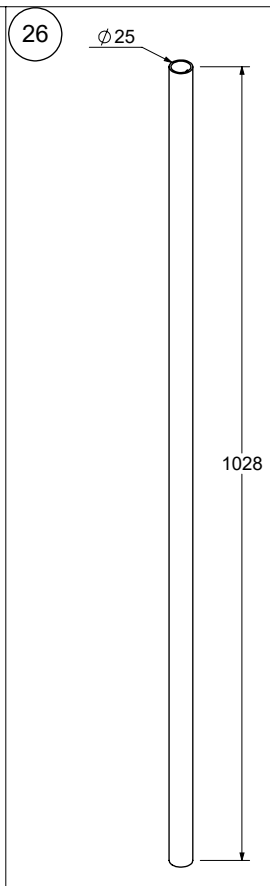


- M2-1078509 800 mm Beech / Buche / Beuk / Hêtre / Bøg
- M2-1078519 800 mm Oak / Eiche / Eik / Chêne / Eg
- M2-1078529 800 mm Oak white / Eiche weiss / Eik wit / Chêne blanc / Eg hvid
- M2-1078559 900 mm Beech / Buche / Beuk / Hêtre / Bøg
- M2-1078569 900 mm Oak / Eiche / Eik / Chêne / Eg
- M2-1078579 900 mm Oak white / Eiche weiss / Eik wit / Chêne blanc / Eg hvid



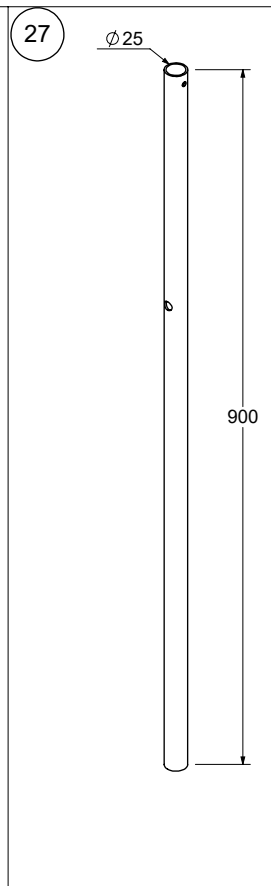
		11	12	13	14	15	16
x	I	12	12	13	14	15	16
	L	12	12	12	12	12	13
	U	12	12	12	12	12	12

K1-1077655 RAL 7016
 K1-1077656 RAL 9005
 K1-1077657 Pearl grey
 K1-1077658 RAL 9016



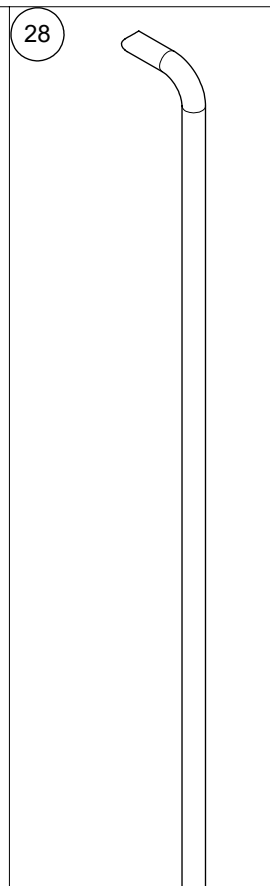
x	I	1
	L	1
	U	1

K1-1077650 RAL 7016
 K1-1077651 RAL 9005
 K1-1077652 Pearl grey
 K1-1077653 RAL 9016



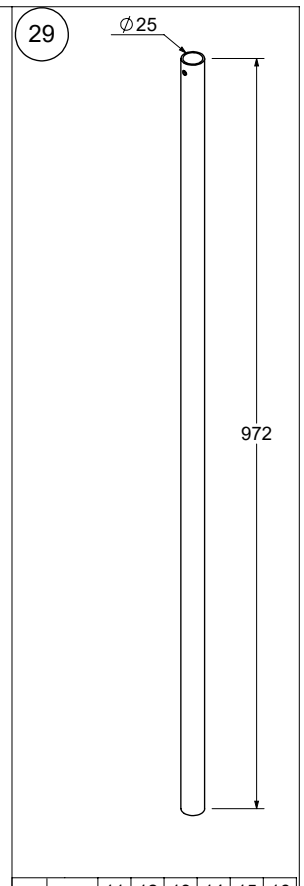
x	I	0
	L	1
	U	2

K1-1077665 RAL 7016
 K1-1077666 RAL 9005
 K1-1077667 Pearl grey
 K1-1077668 RAL 9016



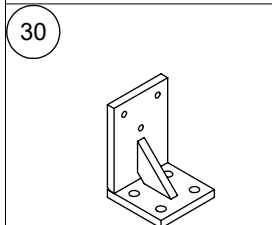
x	I	0
	L	1
	U	2

K2-1077670 RAL 7016
 K2-1077671 RAL 9005
 K2-1077672 Pearl grey
 K2-1077673 RAL 9016



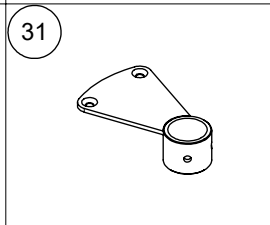
		11	12	13	14	15	16
X Classic III III	I	12	12	13	13	14	15
	L	24	24	24	24	28	30
	L	12	12	12	12	12	13
	U	24	24	24	24	24	26
		12	12	12	12	12	12
		24	24	24	24	24	24

K1-1077660 RAL 7016
 K1-1077661 RAL 9005
 K1-1077662 Pearl grey
 K1-1077663 RAL 9016



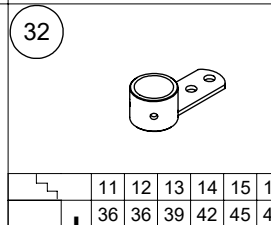
x	I	4
	L	4
	U	4

K2-1077850 RAL 7016
 K2-1077851 RAL 9005
 K2-1077852 Pearl grey
 K2-1077853 RAL 9016



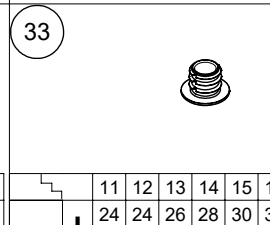
x	I	1
	L	1
	U	1

K2-1077030 RAL 7016
 K2-1077031 RAL 9005
 K2-1077032 Pearl grey
 K2-1077033 RAL 9016



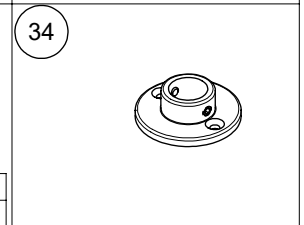
		11	12	13	14	15	16
X Classic III III	I	36	36	39	42	45	48
	L	48	48	52	56	60	64
	L	36	36	36	36	36	39
	U	48	48	48	48	48	52
		36	36	36	36	36	36
		48	48	48	48	48	48

K2-1077025 RAL 7016
 K2-1077031 RAL 9005
 K2-1077032 Pearl grey
 K2-1077033 RAL 9016



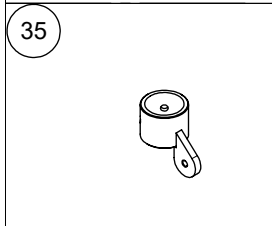
		11	12	13	14	15	16
X Classic III III	I	24	24	26	28	30	32
	L	36	36	39	42	45	48
	L	24	24	24	24	24	26
	U	36	36	36	36	36	39
		24	24	24	24	24	24
		36	36	36	36	36	36

K1-1077045 RAL 7016
 K1-1077046 RAL 9005
 K1-1077047 Pearl grey
 K1-1077048 RAL 9016



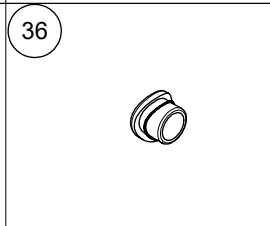
x	I	1
	L	1
	U	1

K2-1077610 RAL 7016
 K2-1077611 RAL 9005
 K2-1077612 Pearl grey
 K2-1077613 RAL 9016



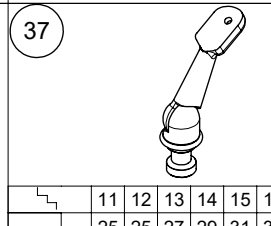
x	I	0
	L	1
	U	2

K2-1077685 RAL 7016
 K2-1077686 RAL 9005
 K2-1077687 Pearl grey
 K2-1077688 RAL 9016



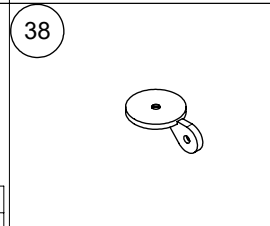
x	I	0
	L	1
	U	2

K1-1077645 RAL 7016
 K1-1077646 RAL 9005
 K1-1077647 Pearl grey
 K1-1077648 RAL 9016



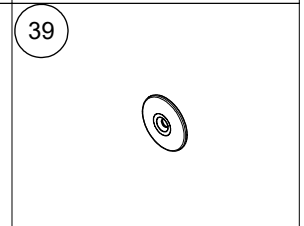
		11	12	13	14	15	16
X Classic III III	I	25	25	27	29	31	33
	L	37	37	40	43	46	49
	L	25	25	25	25	25	27
	U	37	37	37	37	37	40
		25	25	25	25	25	25
		37	37	37	37	37	37

K2-1077195 RAL 7016
 K2-1077196 RAL 9005
 K2-1077197 Pearl grey
 K2-1077198 RAL 9016



x	I	0
	L	1
	U	2

K2-1077690 RAL 7016
 K2-1077691 RAL 9005
 K2-1077692 Pearl grey
 K2-1077693 RAL 9016



x	I	6
	L	6
	U	6

K1-1077150 RAL 7016
 K1-1077151 RAL 9005
 K1-1077152 Pearl grey
 K1-1077153 RAL 9016

40

Ø40

1500

	11	12	13	14	15	16
x	I 3	3	3	4	4	4
	L 3	3	3	3	3	4
	U 3	3	3	3	3	3

M2-1078905 1500 mm Beech / Buche / Beuk / Hêtre / Bøg
M2-1078906 1500 mm Beech / Buche / Beuk / Hêtre / Bøg
M2-1078915 1500 mm Oak / Eiche / Eik / Chêne / Eg
M2-1078916 1500 mm Oak / Eiche / Eik / Chêne / Eg
M2-1078917 1500 mm Oak white / Eiche weiss / Eik wit / Chêne blanc / Eg hvid

42

Ø40

x 1
K1-01620

43

Ø8

x 1
K1-01810

44

Wood glue
Holzkleber
Colle à bois
Trælim
Houtlijm

x 1
K3-90005

46

60°

50
50
145

x 1
K1-1077879

	11	12	13	14	15	16
x	41	45	49	51	57	61

K3-02515
M10 x 35

50

x 25
K3-08001
Ø12 x 60

51

x 26
K3-04001
Ø10

52

x 25
K3-06003
Ø10 x 60

53

x 12
R1-63267
Ø6 x 35 TX30

	11	12	13	14	15	16
x	66	72	78	84	90	96

K3-02518
M8 x 10

54

x 8
K3-05003
M8 x 6

56

x 8
K3-05003
M8 x 6

57

x 2
K3-06018
Ø4 x 25 TX20

58

x 12
R1-63267
Ø6 x 35 TX30

	11	12	13	14	15	16	
X Classic III III	I	182 206	182 206	200 228	218 250	236 272	254 296
	L	182 206	182 206	182 206	182 206	182 206	200 228
	U	182 206	182 206	182 206	182 206	182 206	182 206

K3-06130
Ø6 x 30 TX30

59

x 4
K3-06110
Ø5 x 60 TX25

60

x 4
K3-06110
Ø5 x 60 TX25

61

x 4
K3-08003
Ø8 x 50

	11	12	13	14	15	16	
X Classic III III	I	74 98	74 98	82 110	90 122	98 134	106 146
	L	74 98	74 98	74 98	74 98	74 98	82 110
	U	74 98	74 98	74 98	74 98	74 98	74 98

K3-05056
M6 x 5

62

x 4
K3-02019
M6 x 25

63

	I	0
x	L	1
	U	2

x 4
K3-02019
M6 x 25

64

	I	0
x	L	1
	U	2

K3-02018 FZB/BZP
K3-10411 RAL 7016
K3-10412 RAL 9005
M5 x 10

	11	12	13	14	15	16	
X Classic III III	I	26 38	26 38	28 41	30 44	32 47	34 50
	L	26 38	26 38	26 38	26 38	26 38	28 41
	U	26 38	26 38	26 38	26 38	26 38	26 38

K3-06008 FZB / BZP
Ø5 x 25

65

x 4
K3-06080
Ø10 x 60

66

	11	12	13	14	15	16	
X Classic III III	I	25 37	25 37	27 40	29 43	31 46	33 49
	L	25 37	25 37	25 37	25 37	25 37	27 40
	U	25 37	25 37	25 37	25 37	25 37	25 37

K3-05002
M6 x 8

	I	6
x	L	7
	U	8

K3-06022 FZB / BZP
K3-10226 RAL 7016
K3-10405 RAL 9005
Ø5 x 35

68

x 4
K3-06080
Ø10 x 60

69

x 4
K3-06022 FZB / BZP
K3-10226 RAL 7016
K3-10405 RAL 9005
Ø5 x 35



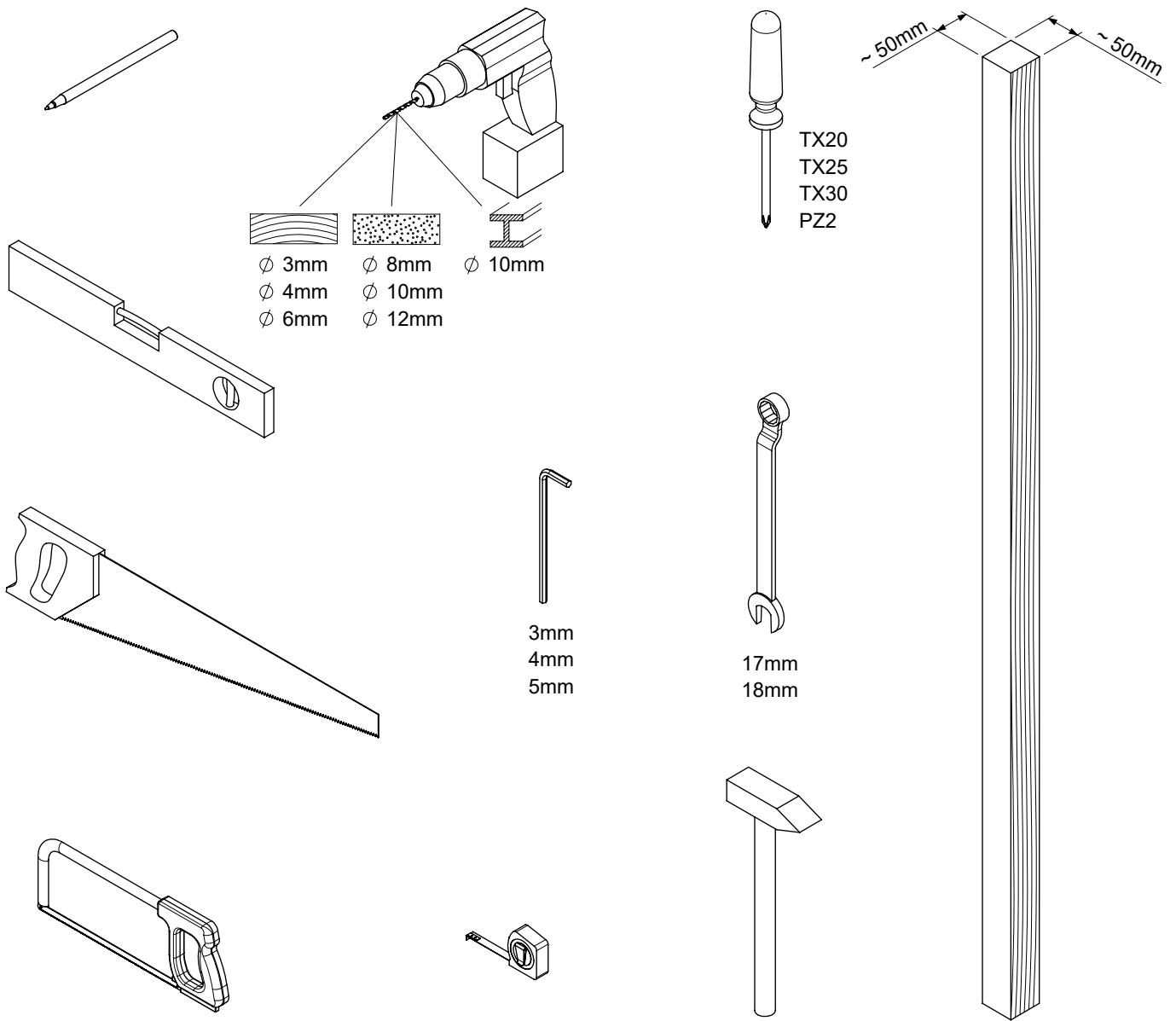
Tools not included!

Werkzeuge nicht enthalten!

Gereedschap niet inbegrepen!

Outils non inclus!

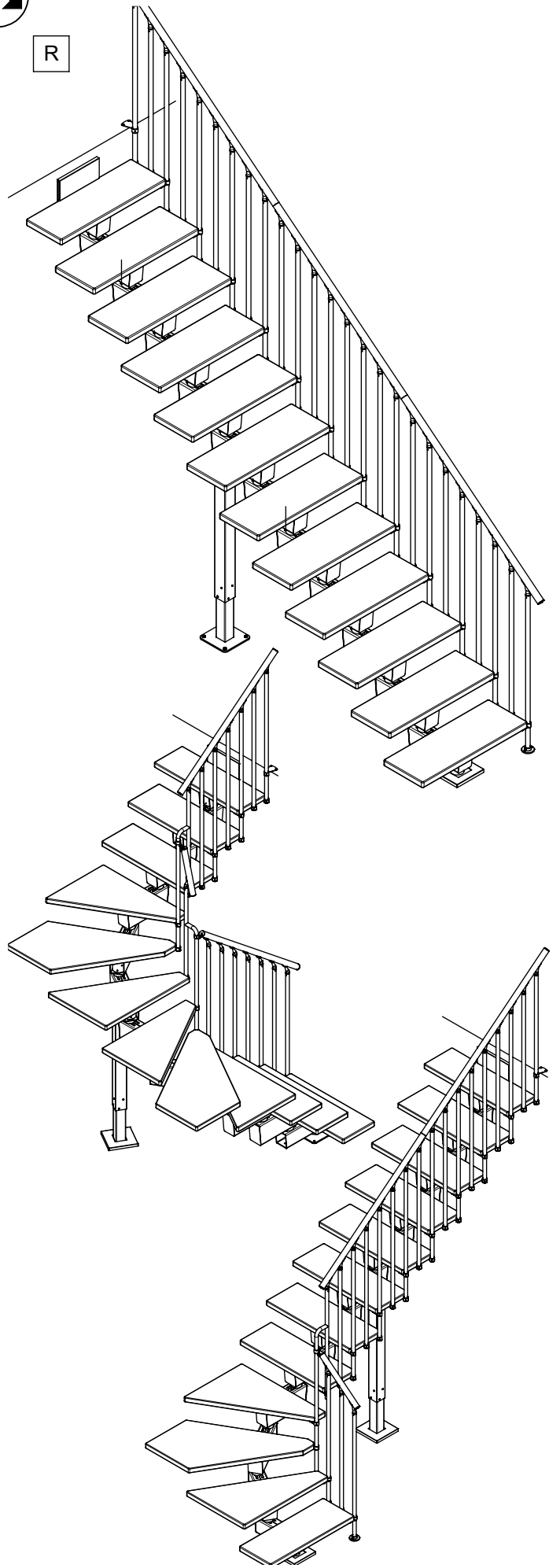
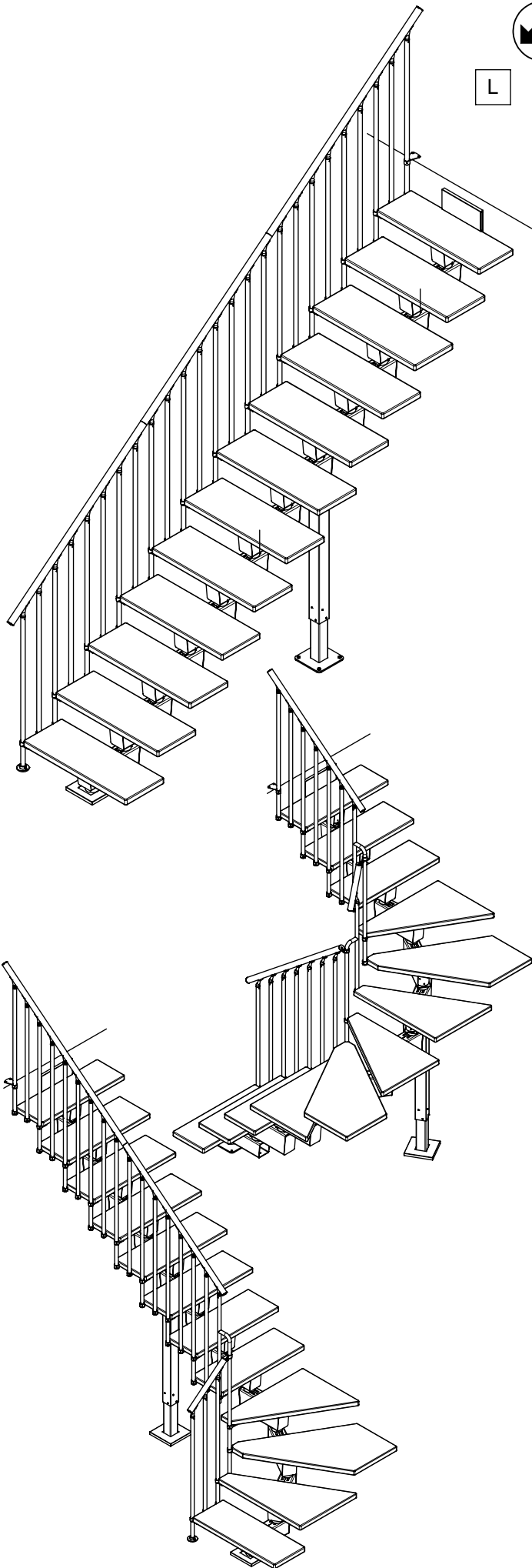
Værktøj ikke inkluderet!





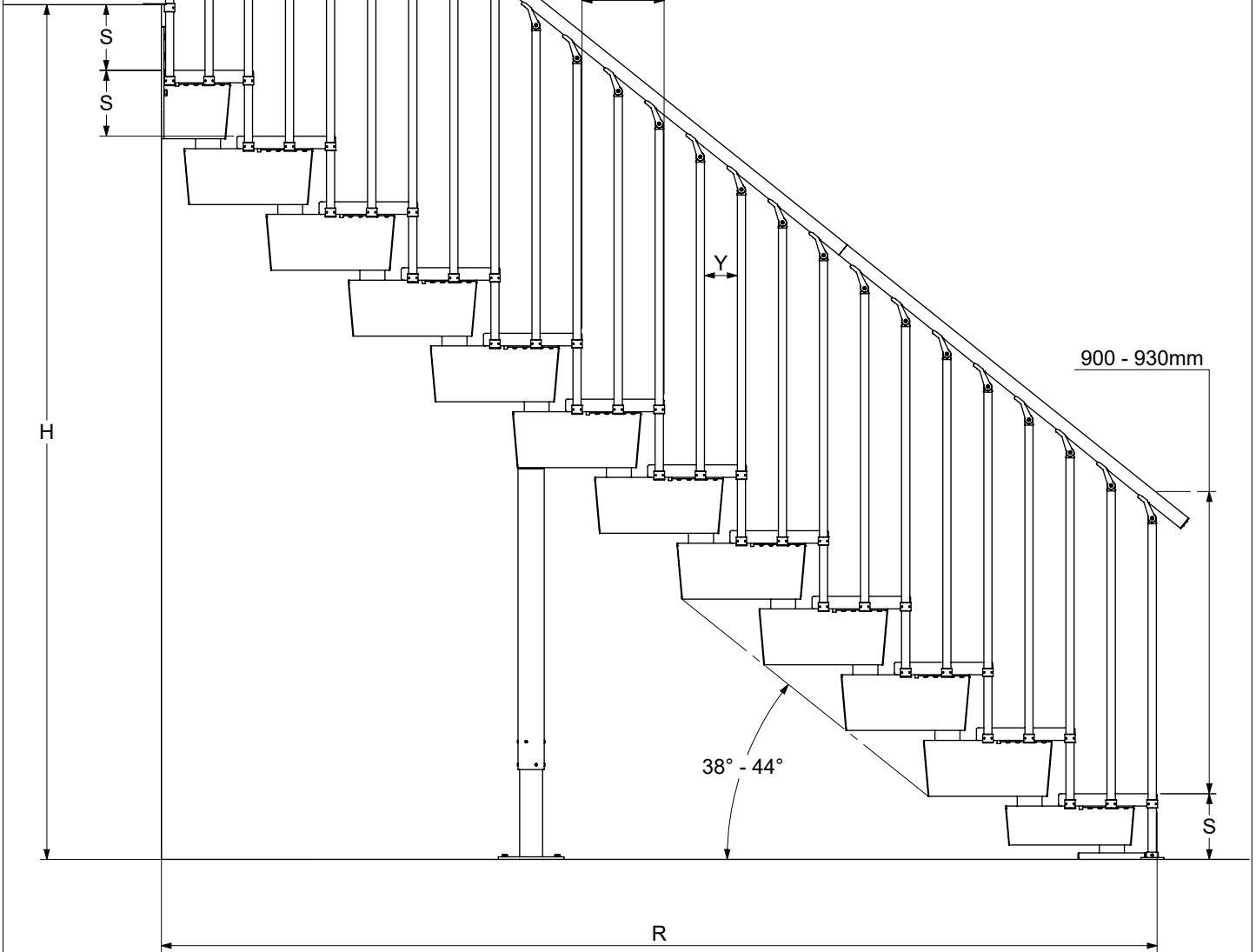
L

R





	G	220 mm	270 mm
Y	Classic III	85 mm	110 mm
	Classic III	48 mm	65 mm



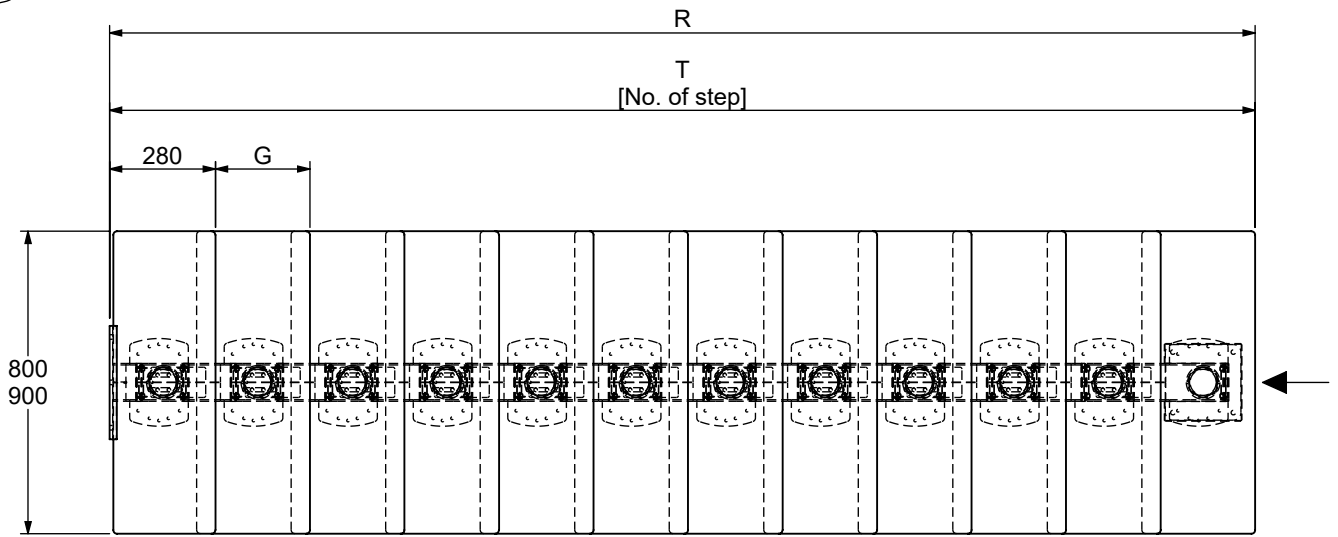
$$S = \frac{H}{T + 1}$$

min S	max S	min G	max G
170 mm	210 mm	220 mm	270 mm

T	min H	max H	min R	max R
9	1700 mm	2100 mm	2170 mm	2460 mm
10	1870 mm	2310 mm	2390 mm	2730 mm
11	2040 mm	2520 mm	2610 mm	3000 mm
12	2210 mm	2730 mm	2830 mm	3270 mm
13	2380 mm	2940 mm	3050 mm	3540 mm
14	2550 mm	3150 mm	3270 mm	3810 mm
15	2720 mm	3360 mm	3490 mm	4080 mm
16	2890 mm	3570 mm	3710 mm	4350 mm

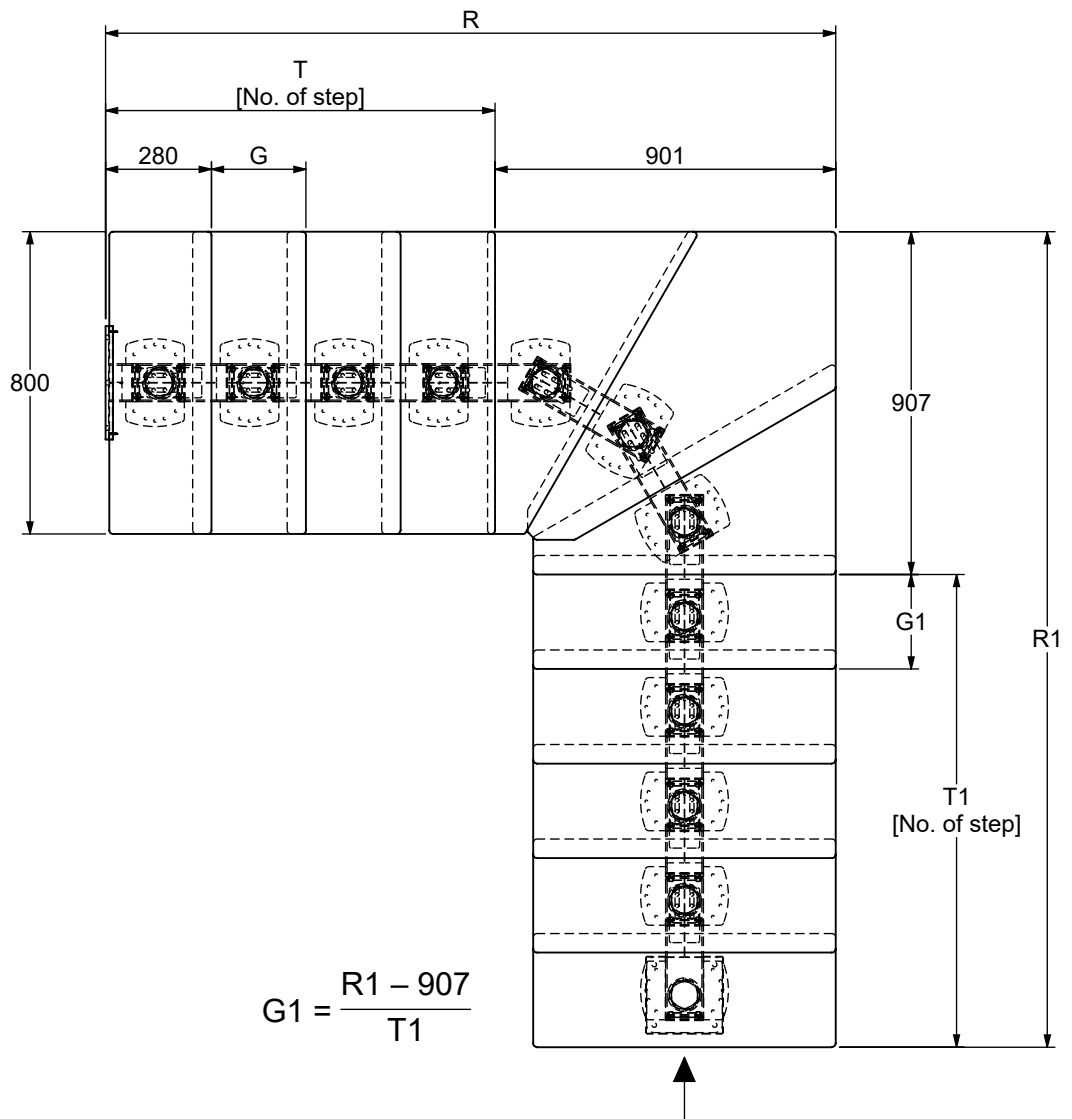
Example / Beispiel / Voorbeeld / Example / Eksempel:
 H: 2600 mm, T: 12 st(pcs)

$$S = \frac{2600 \text{ mm}}{12 + 1} = 200 \text{ mm}$$



$$G = \frac{R - 280}{T - 1}$$

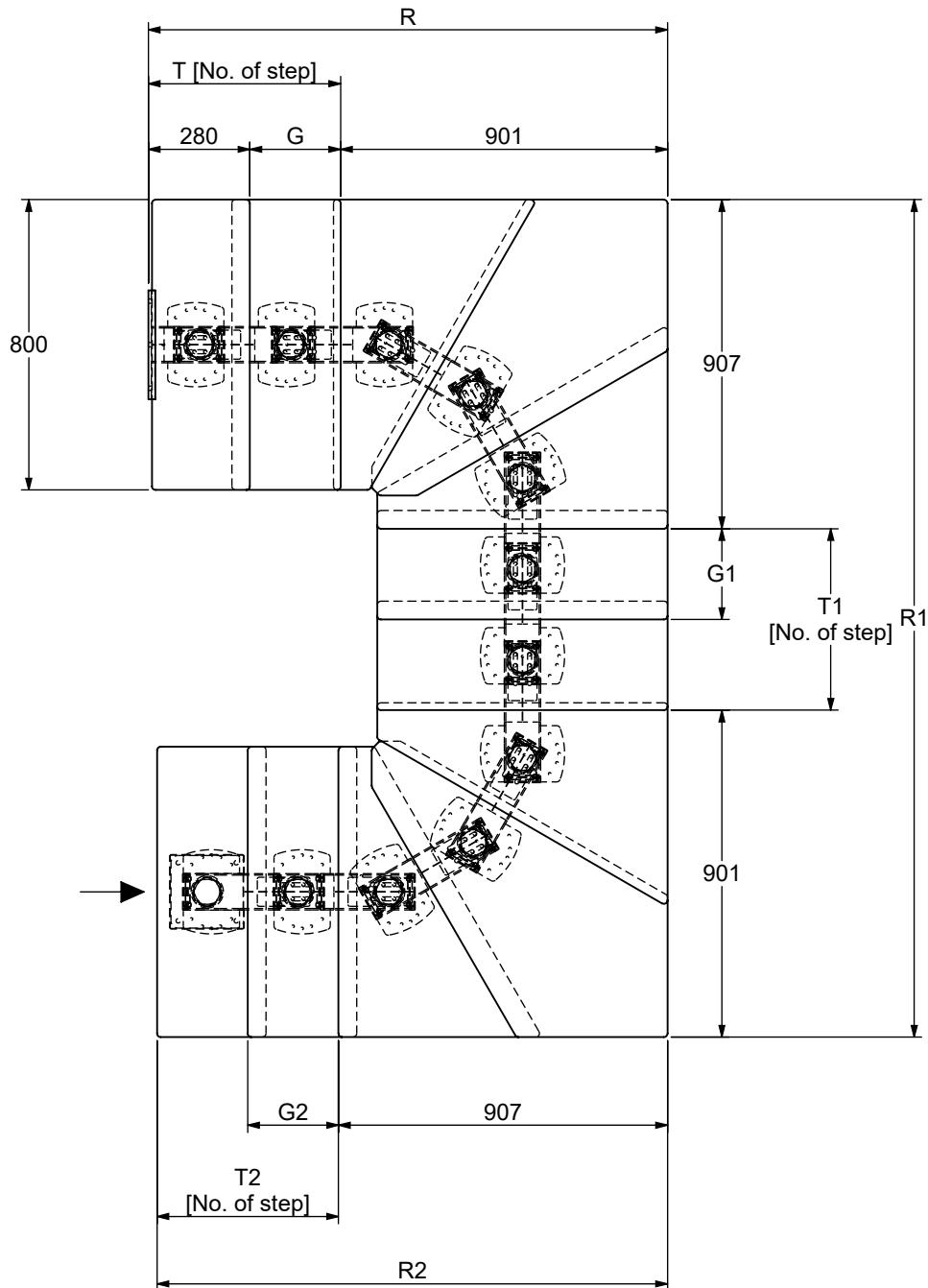
$$G = \frac{R - 1181}{T - 1}$$



$$G1 = \frac{R1 - 907}{T1}$$



$$G = \frac{R - 1181}{T - 1}$$

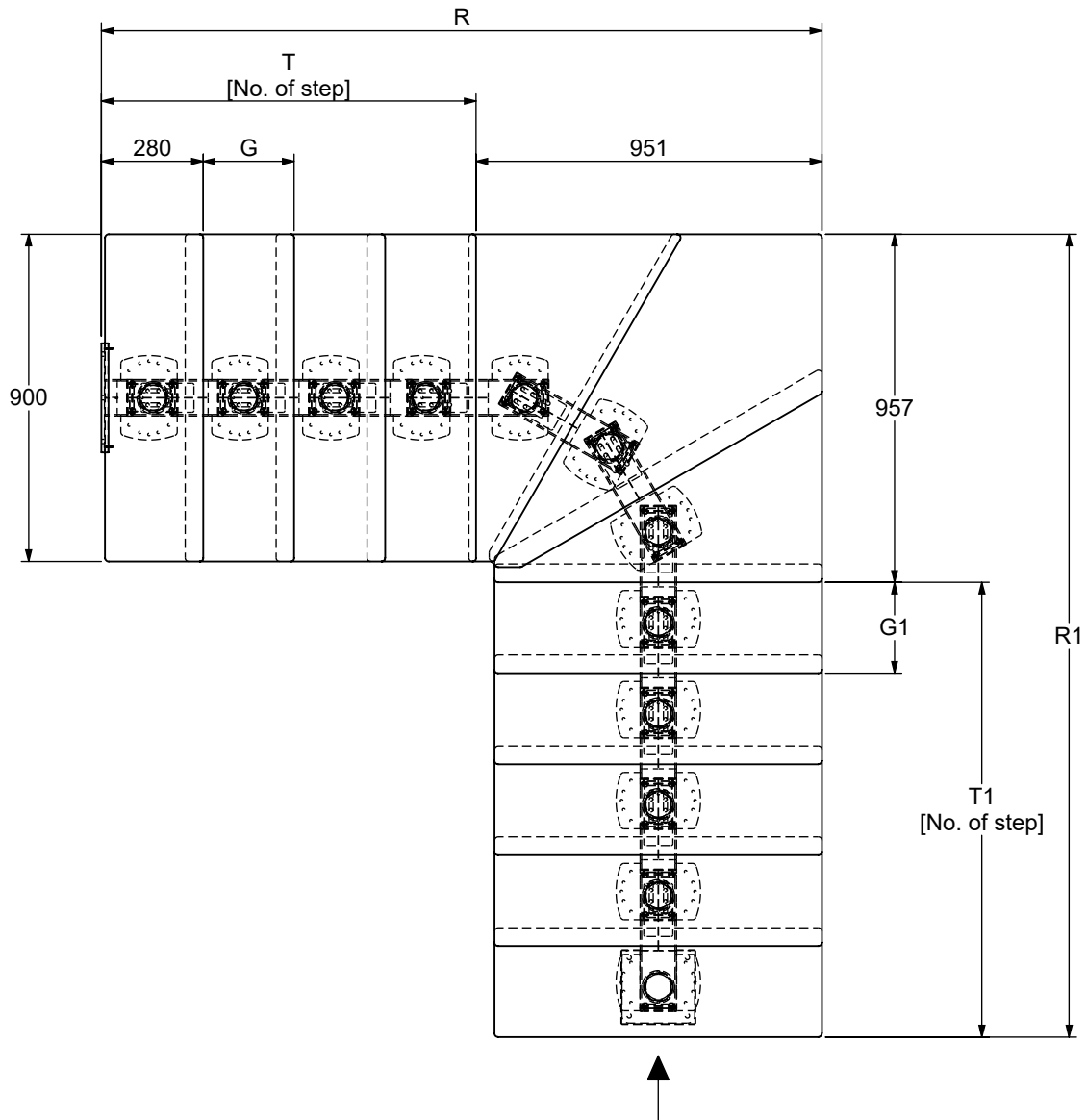


$$G_1 = \frac{R_1 - 1808}{T_1}$$

$$G_2 = \frac{R_2 - 907}{T_2}$$



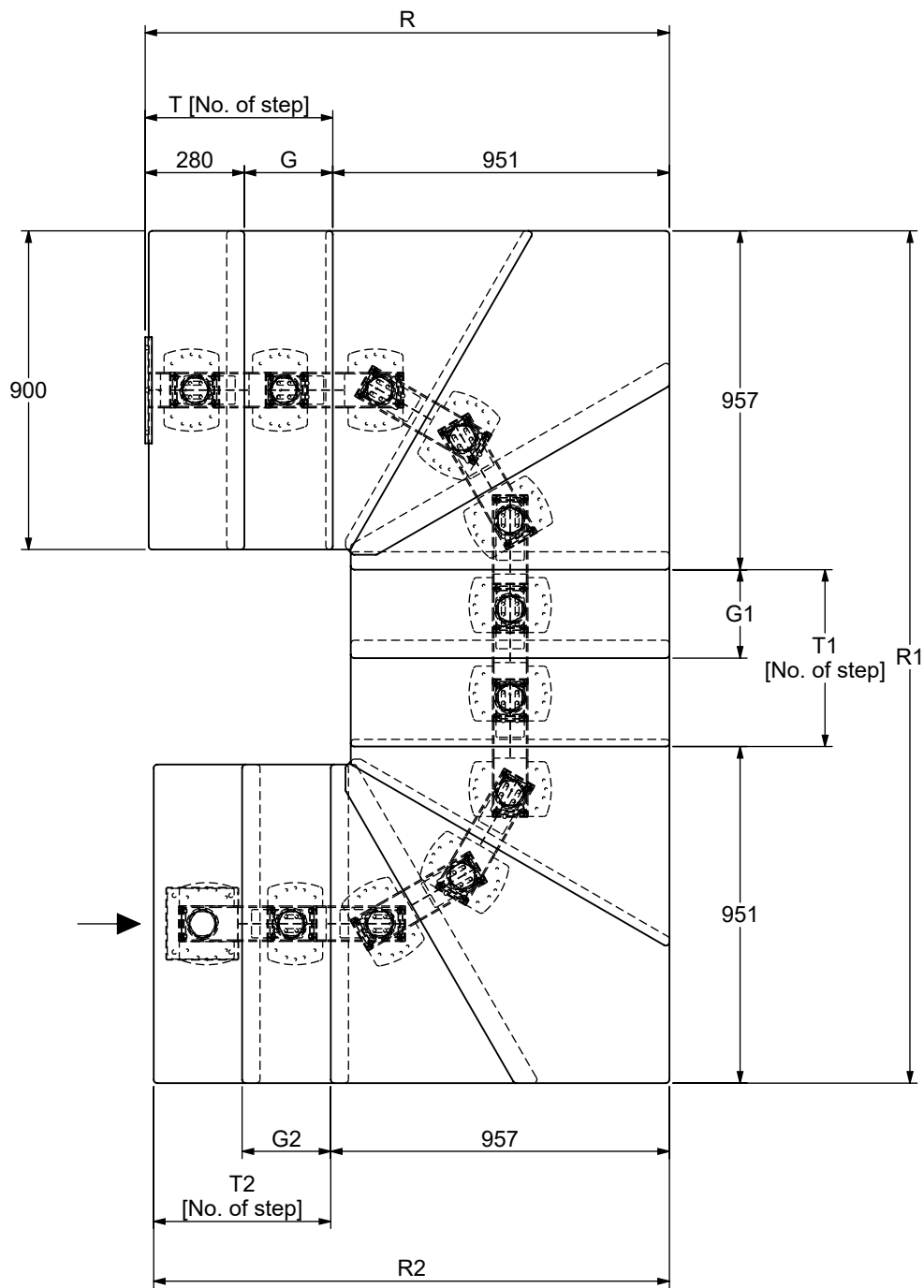
$$G = \frac{R - 1231}{T - 1}$$



$$G1 = \frac{R1 - 957}{T1}$$



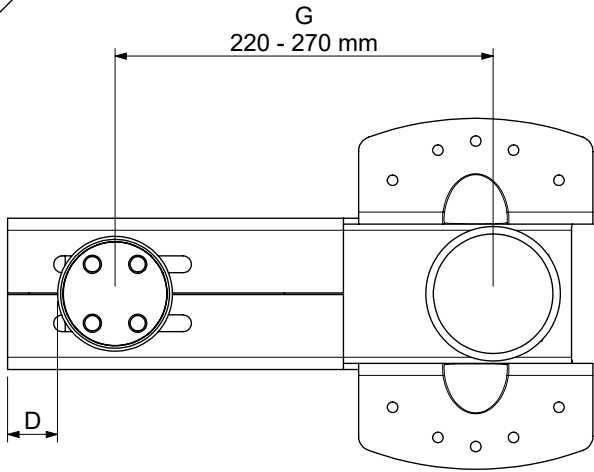
$$G = \frac{R - 1231}{T - 1}$$



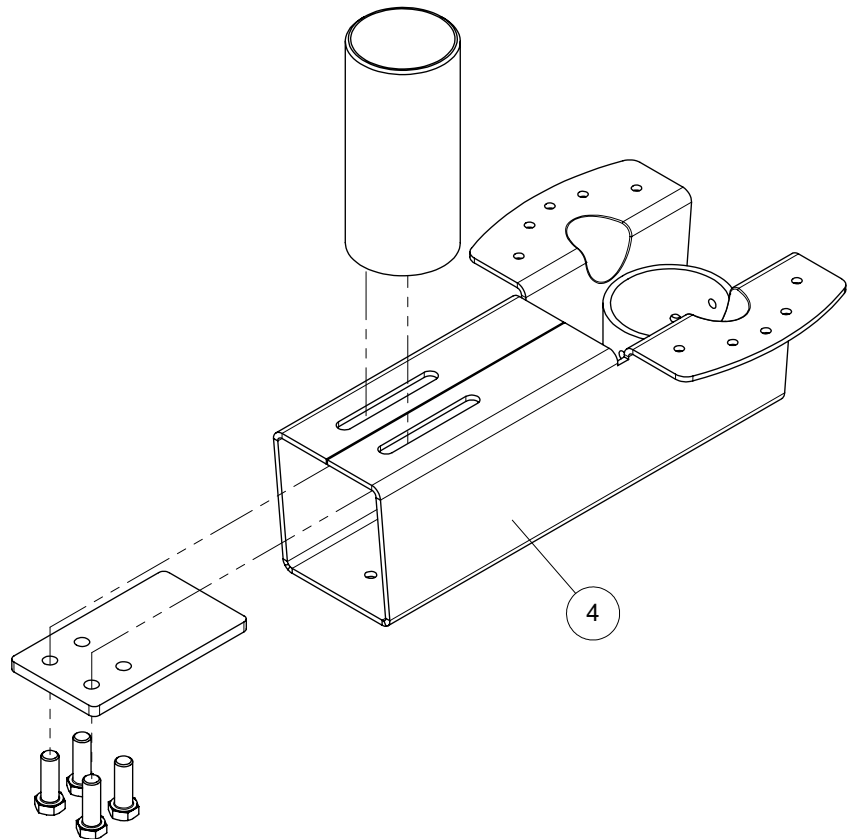
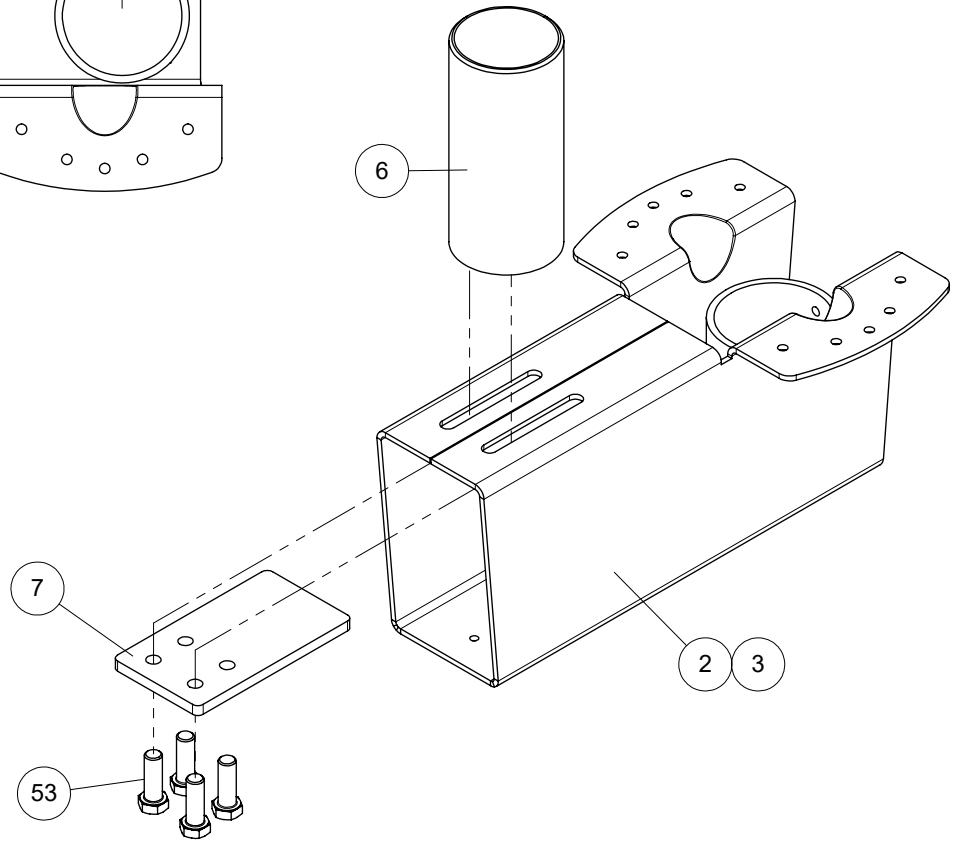
$$G_1 = \frac{R_1 - 1908}{T_1}$$

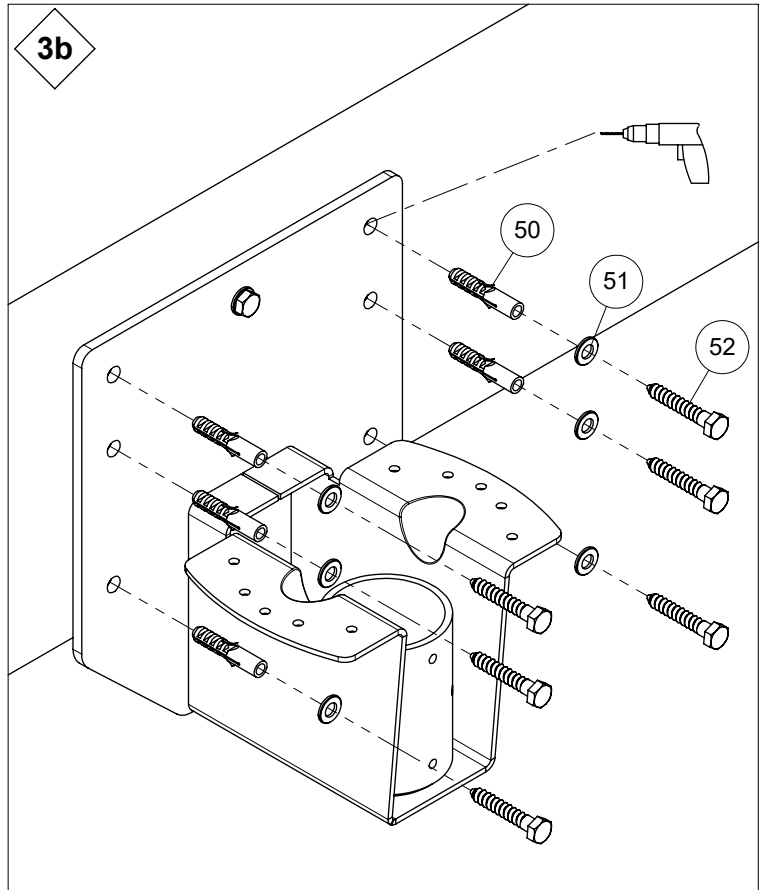
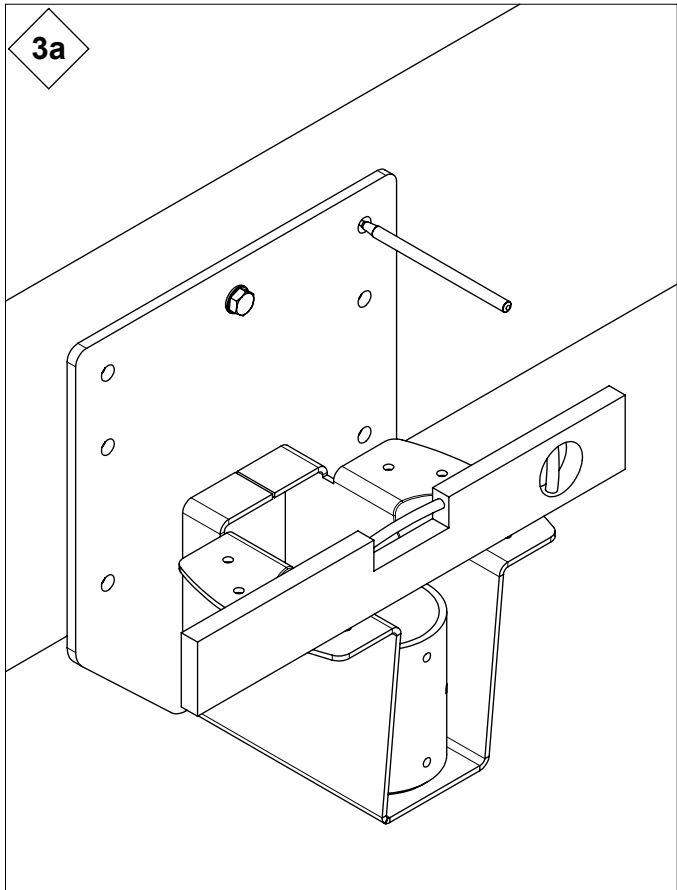
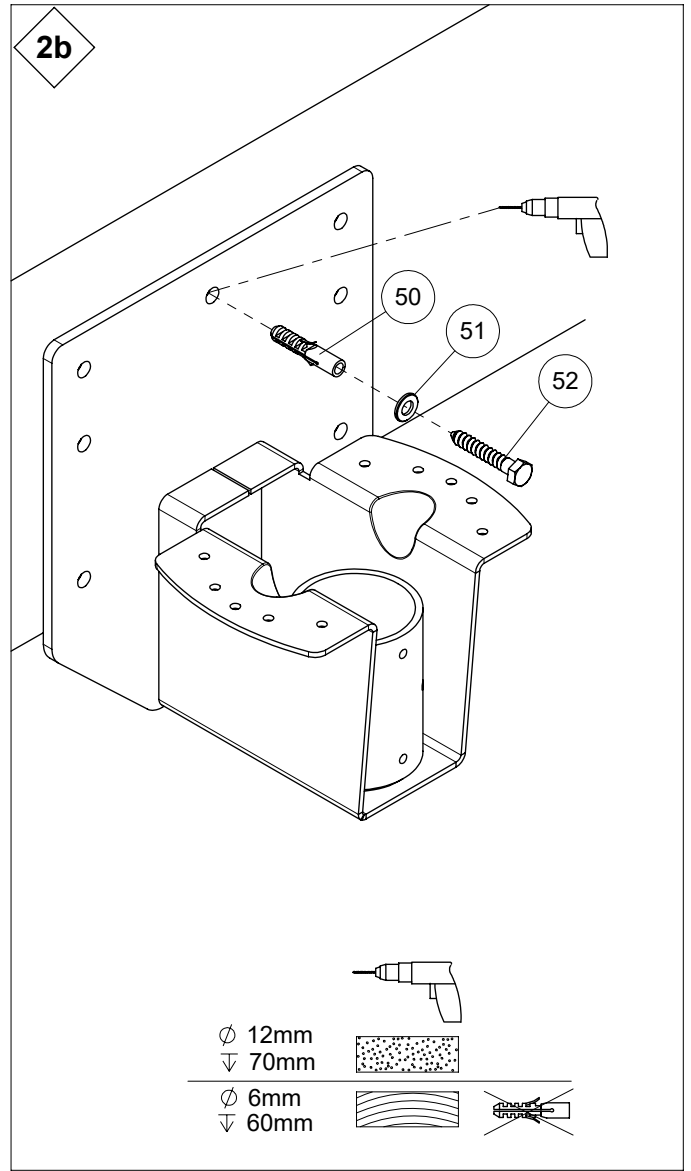
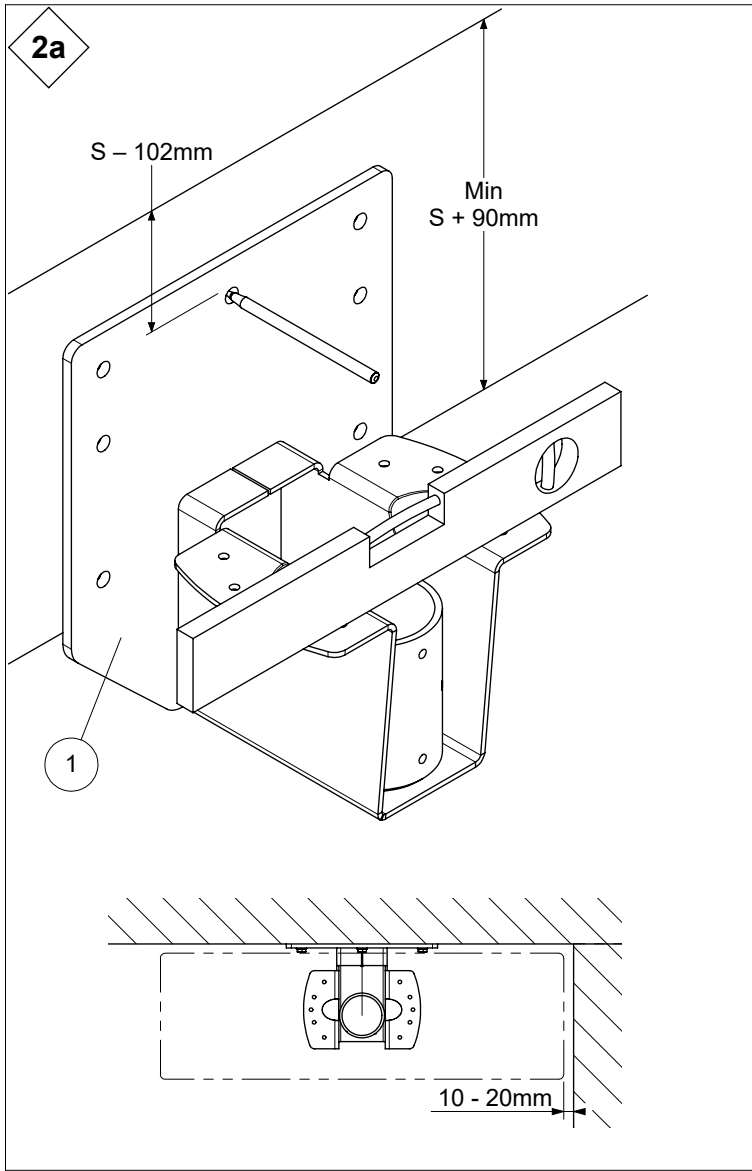
$$G_2 = \frac{R_2 - 957}{T_2}$$

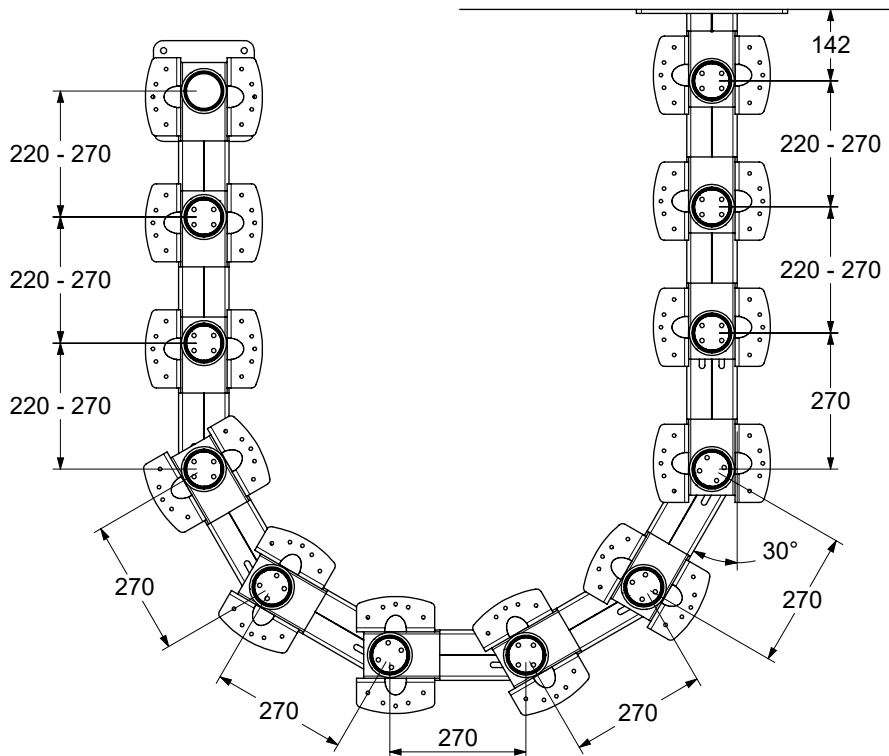
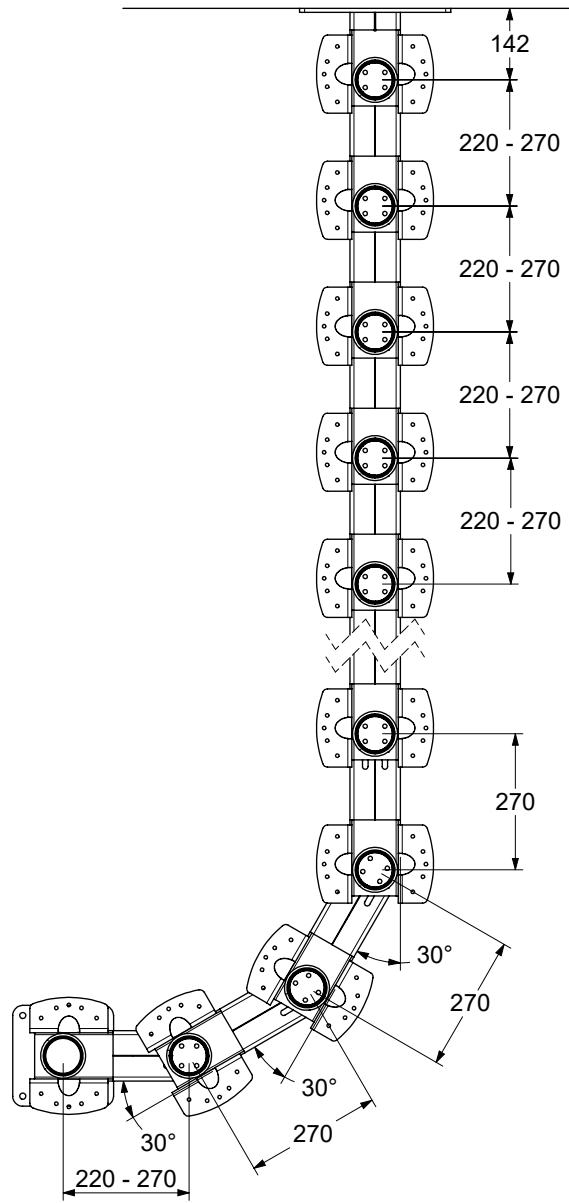
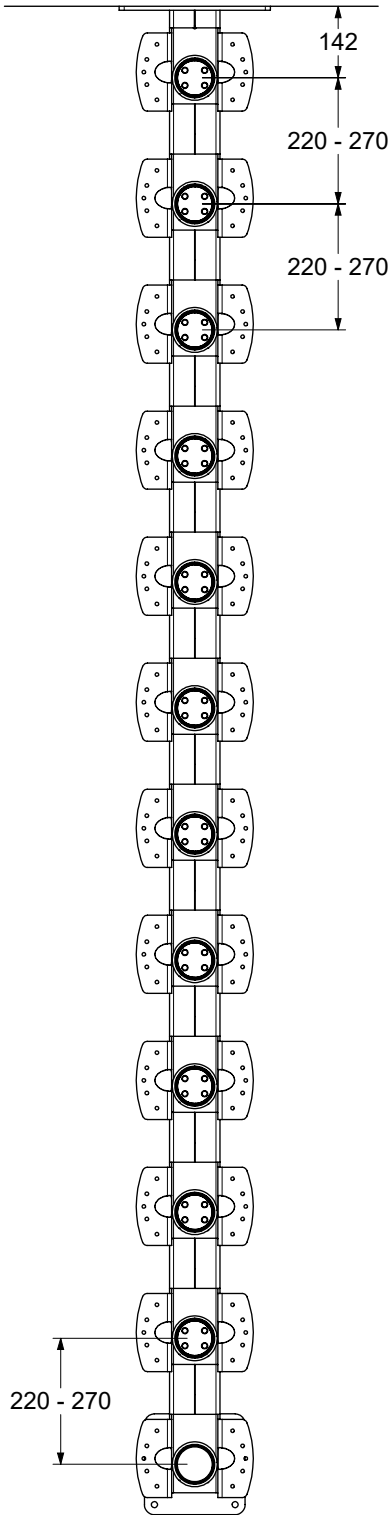
1



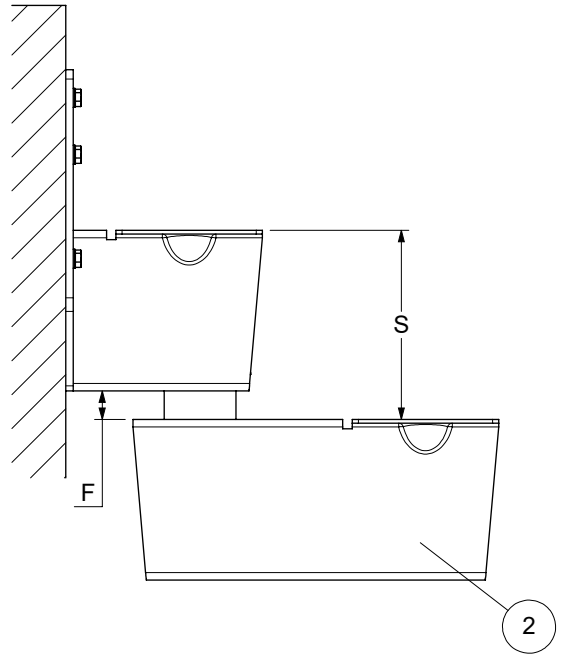
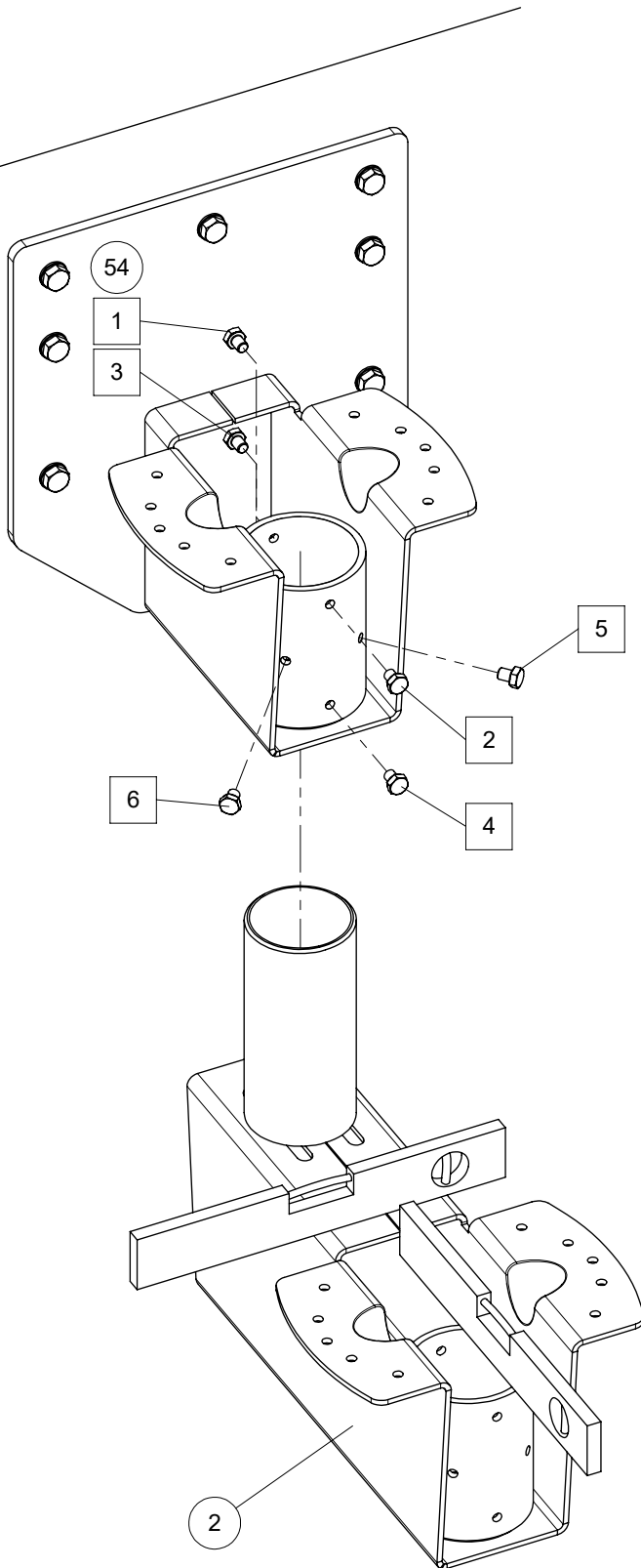
G	D
220 mm	63 mm
230 mm	53 mm
240 mm	43 mm
250 mm	33 mm
260 mm	23 mm
270 mm	13 mm



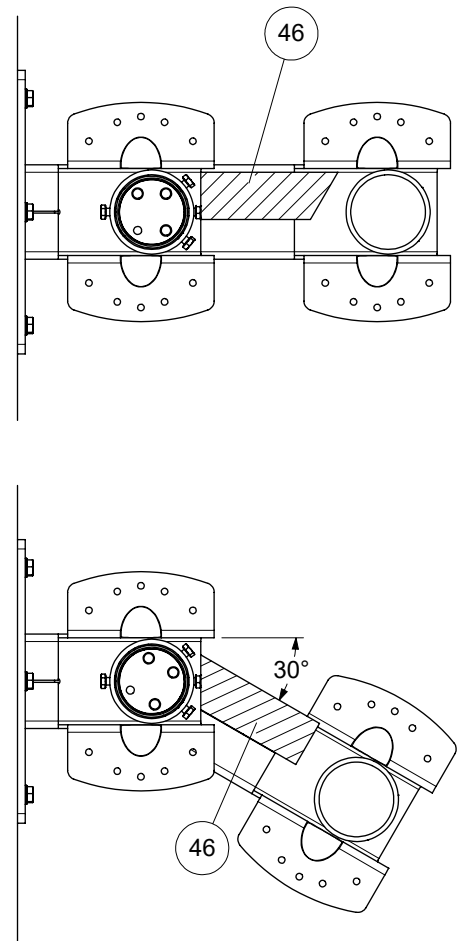


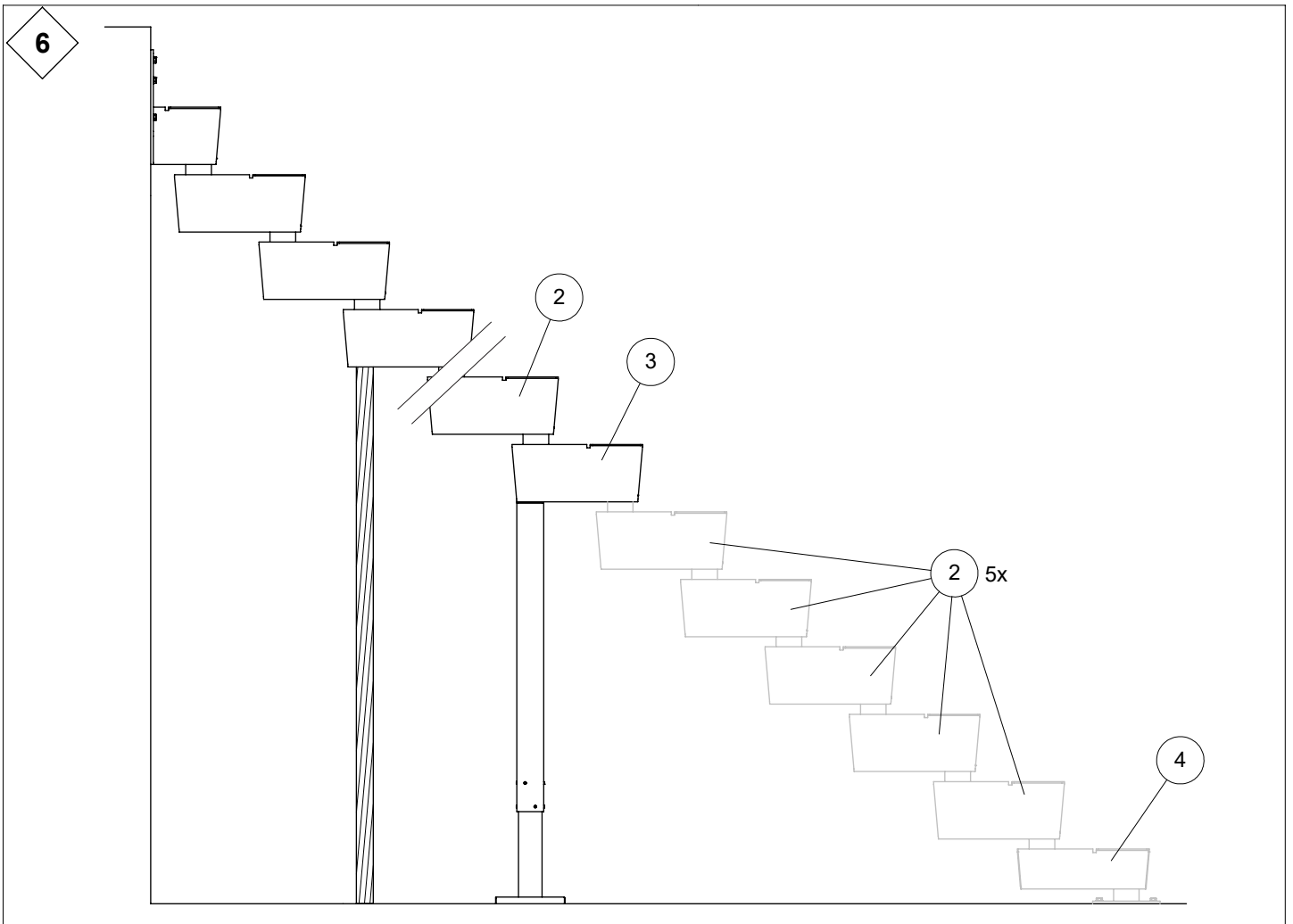
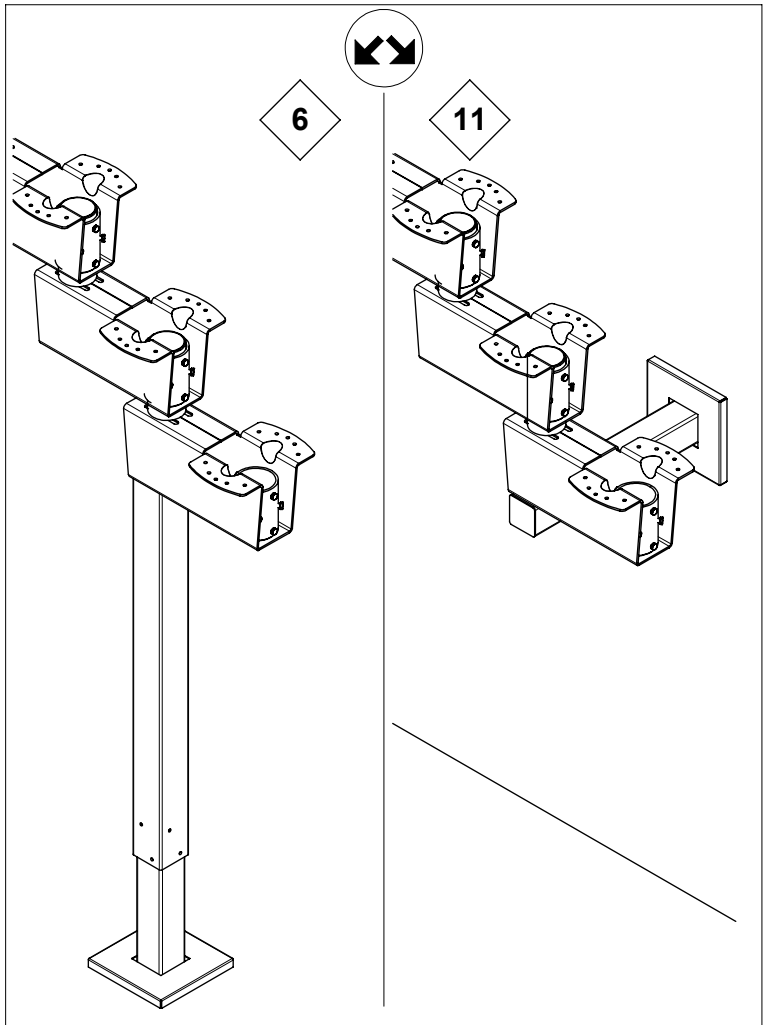
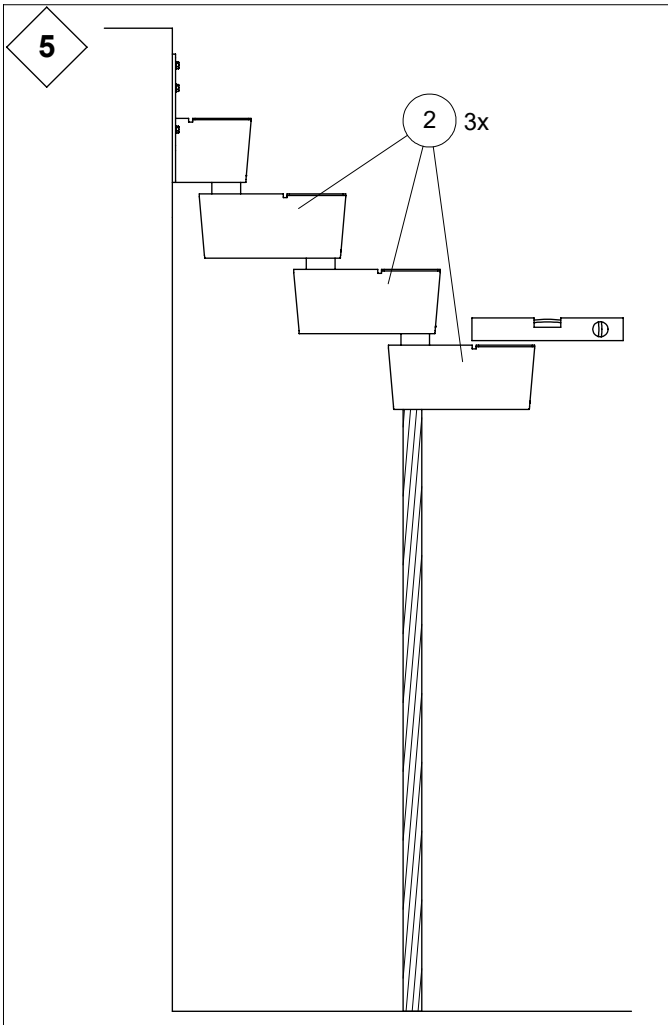


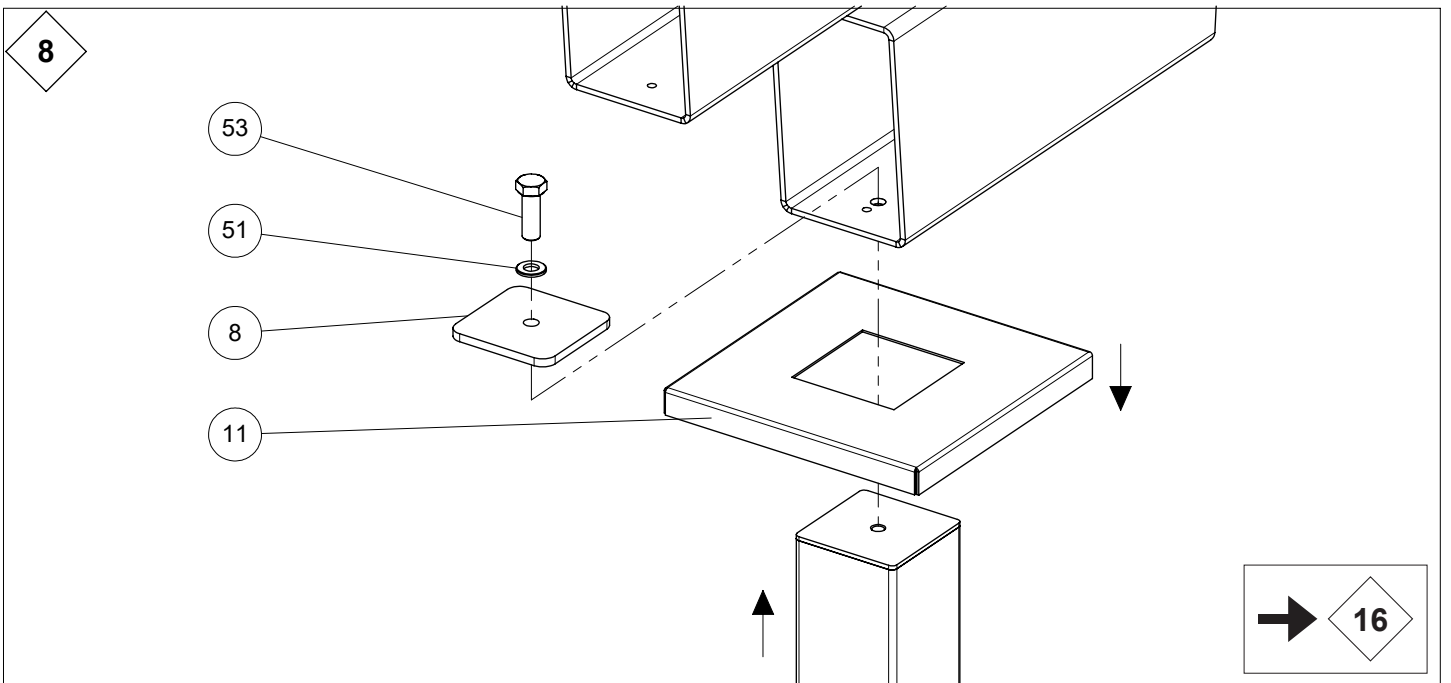
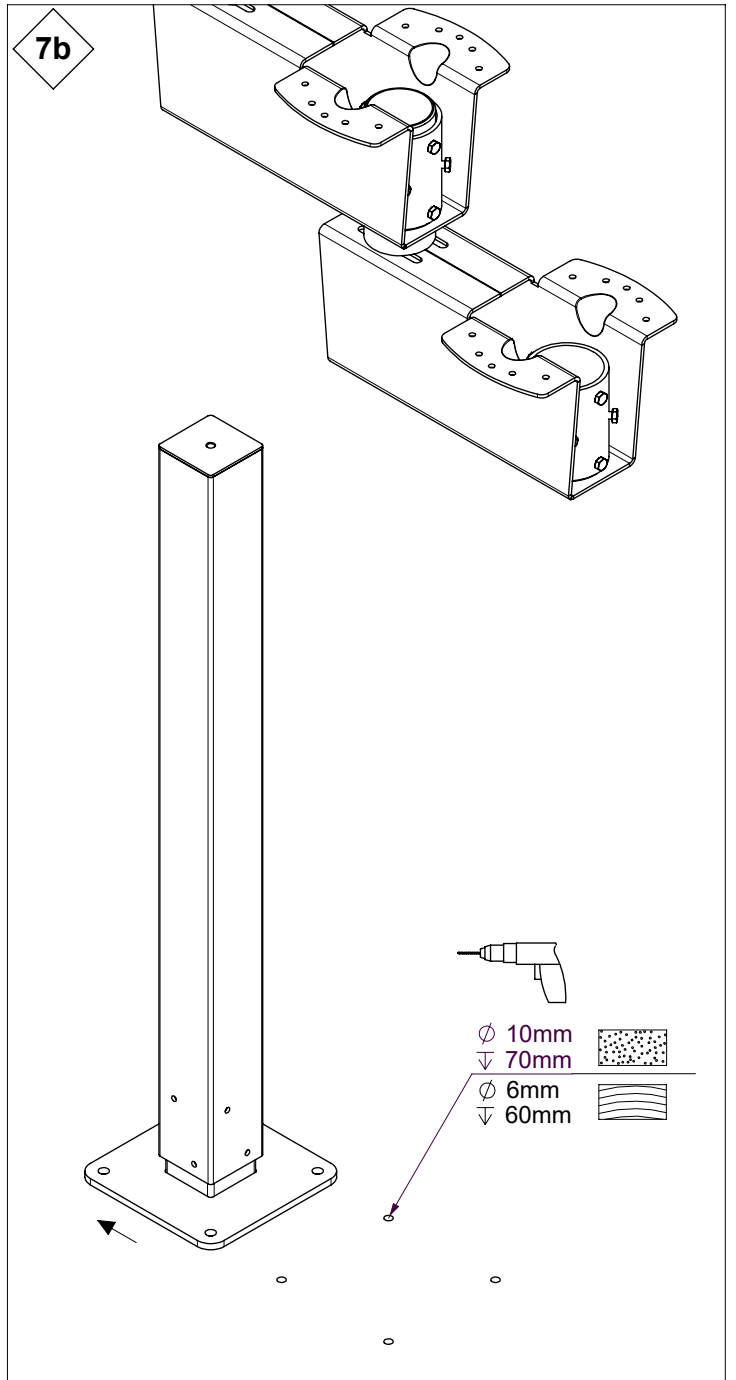
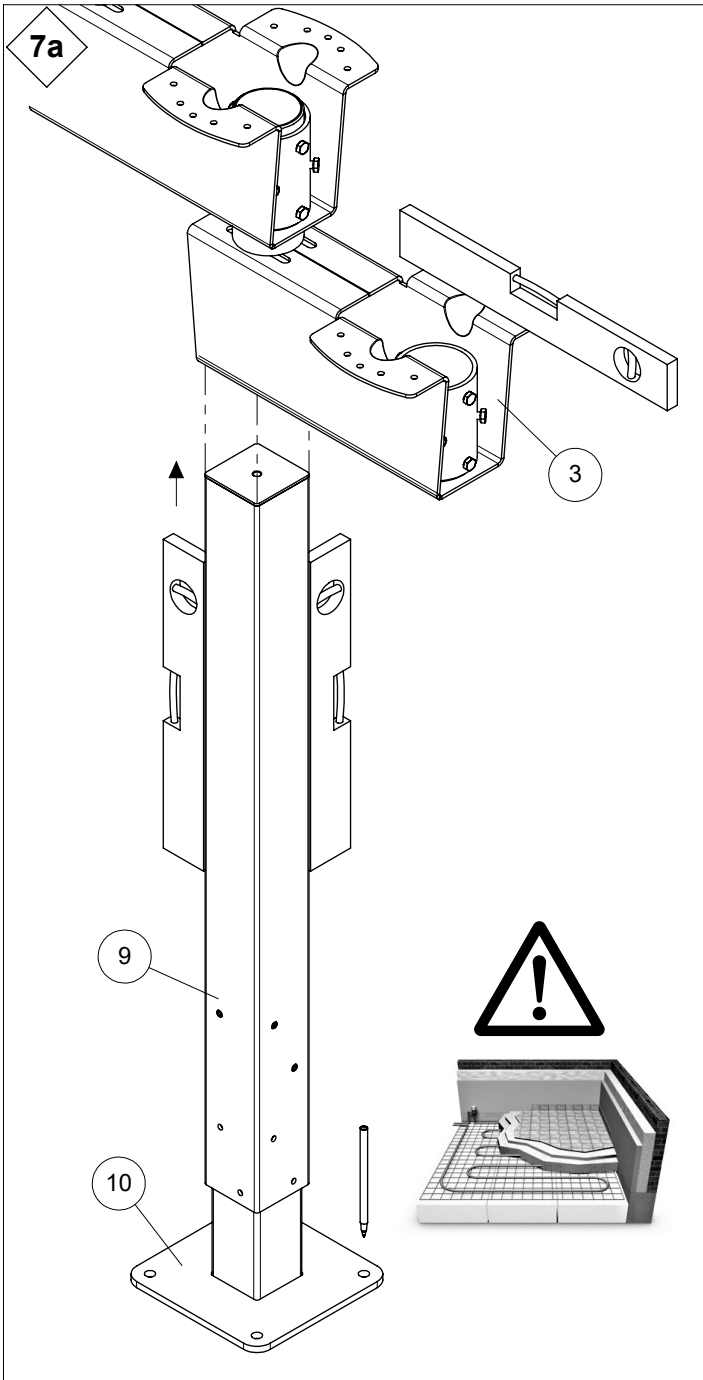
4

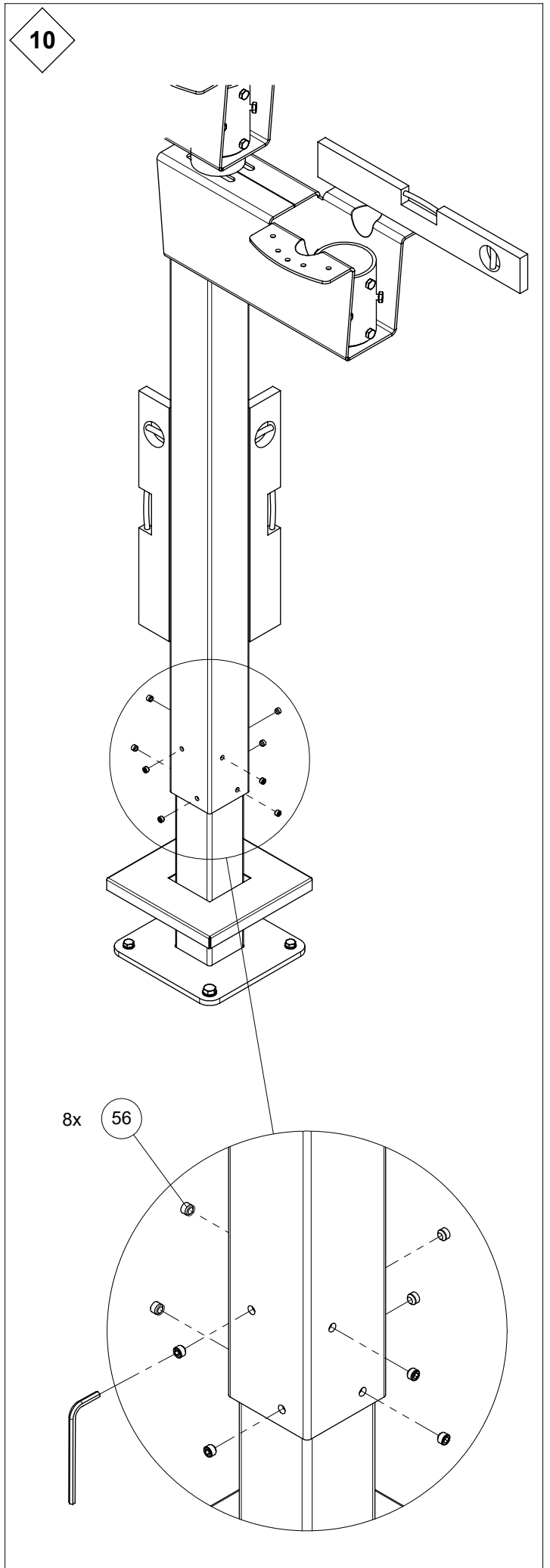
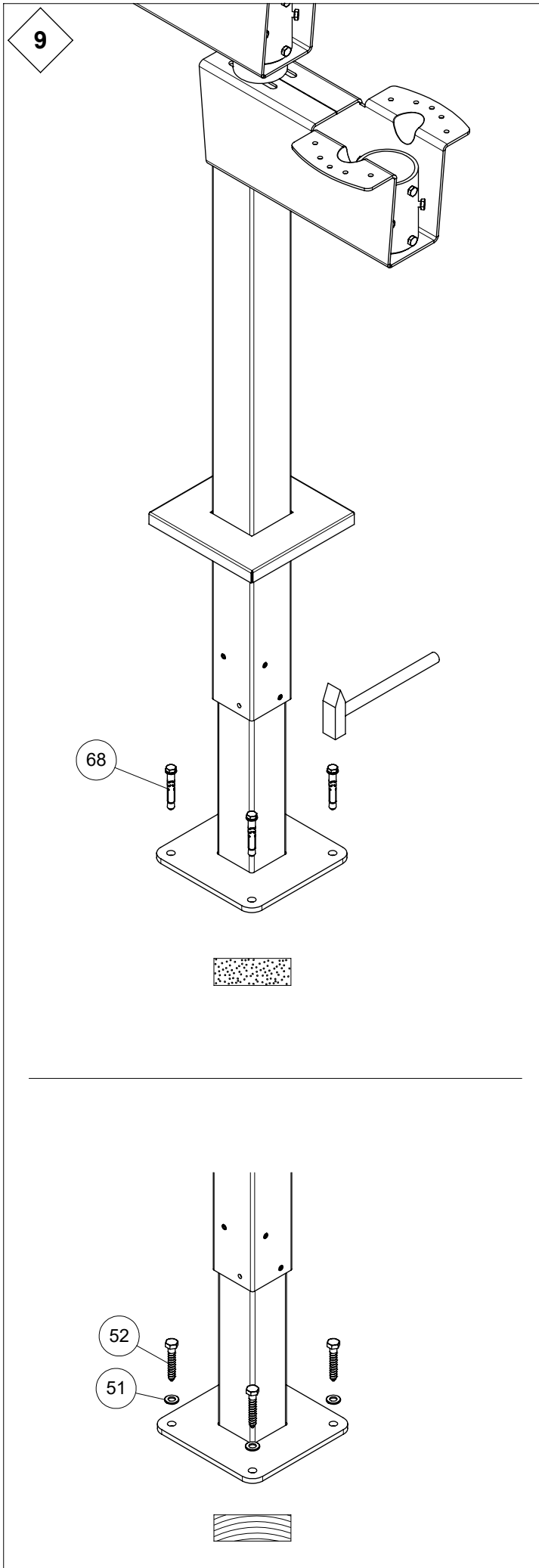


S	F
170 mm	0 mm
180 mm	10 mm
190 mm	20 mm
200 mm	30 mm
210 mm	40 mm

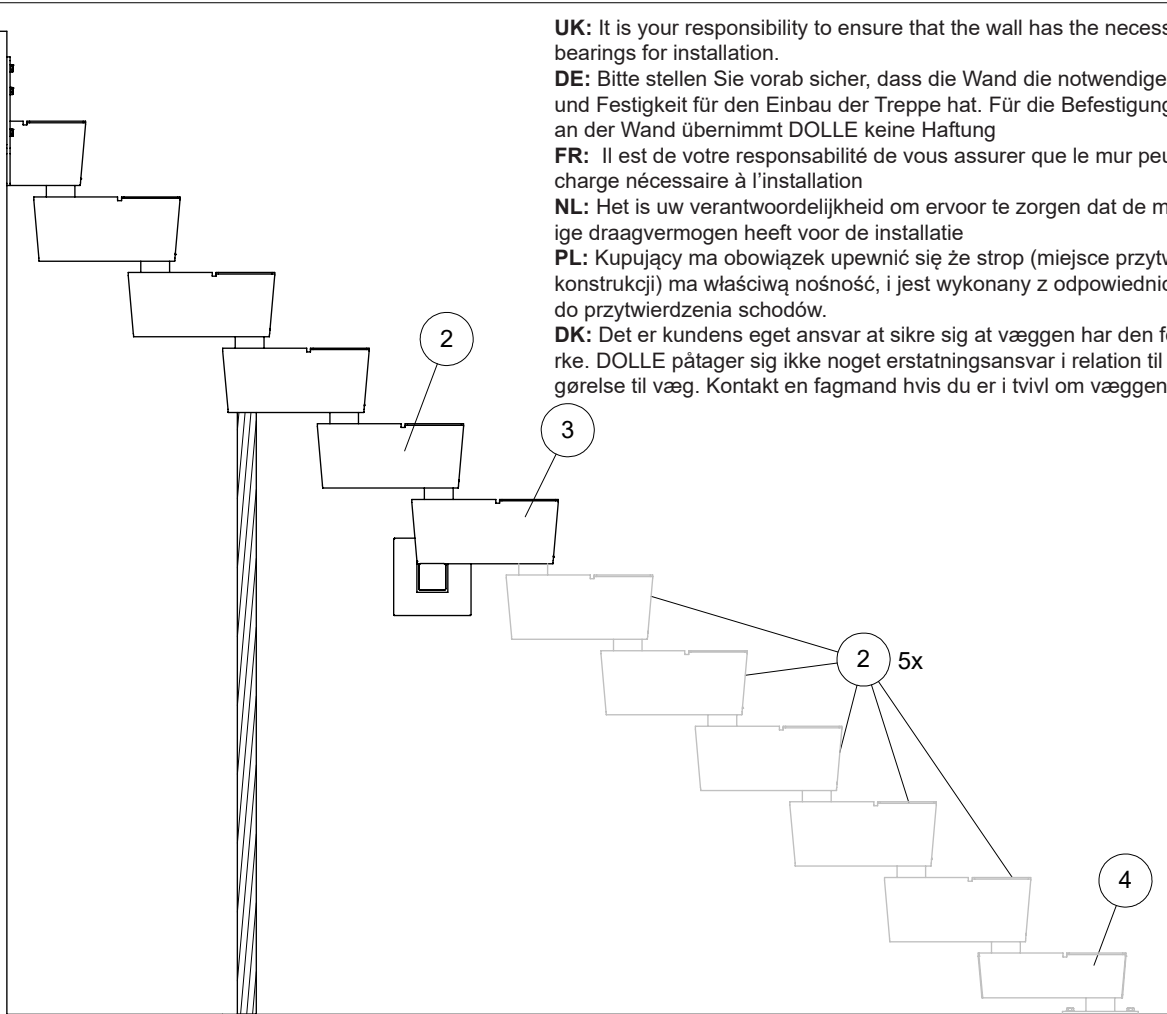








11



UK: It is your responsibility to ensure that the wall has the necessary load bearings for installation.

DE: Bitte stellen Sie vorab sicher, dass die Wand die notwendige Tragfähigkeit und Festigkeit für den Einbau der Treppe hat. Für die Befestigung der Treppe an der Wand übernimmt DOLLE keine Haftung

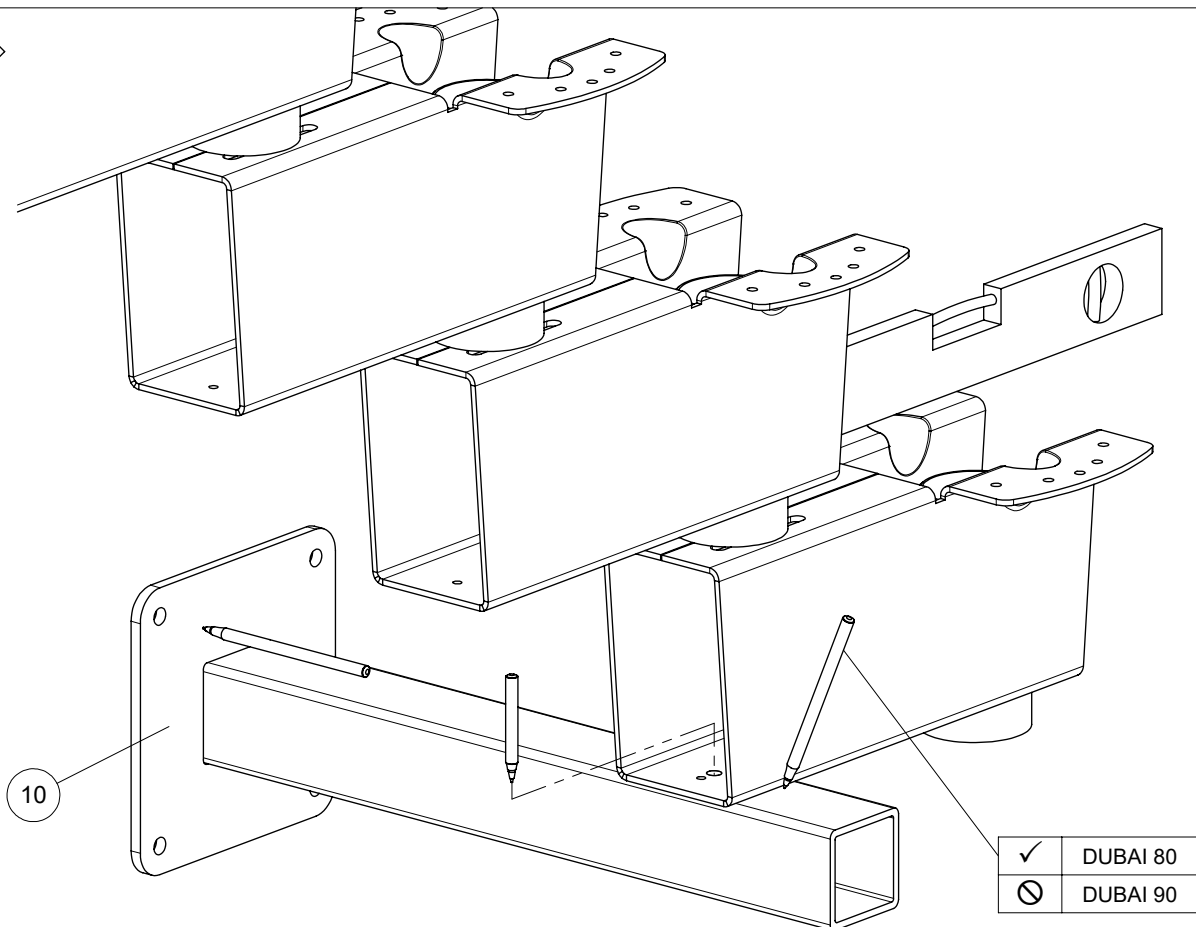
FR: Il est de votre responsabilité de vous assurer que le mur peut supporter la charge nécessaire à l'installation

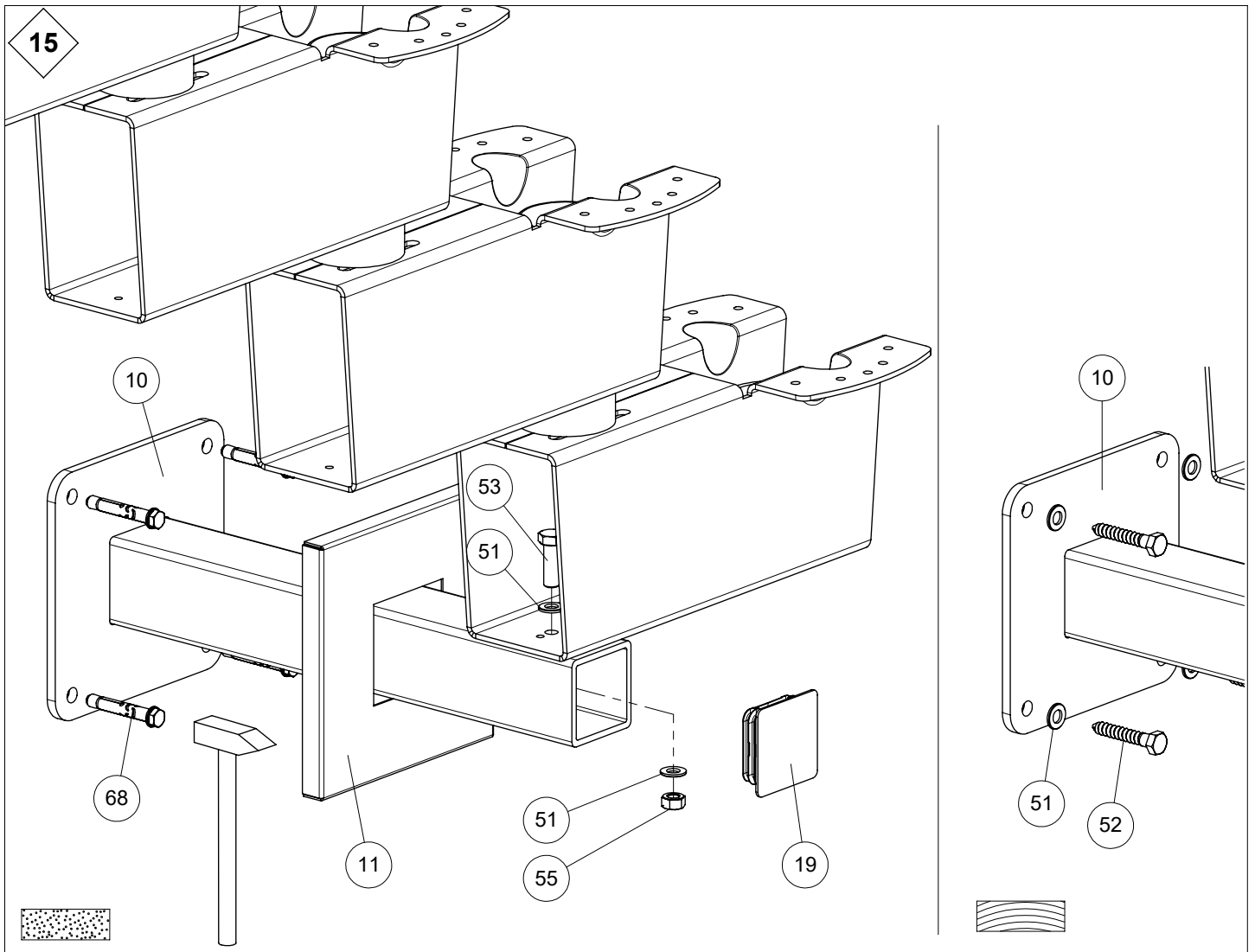
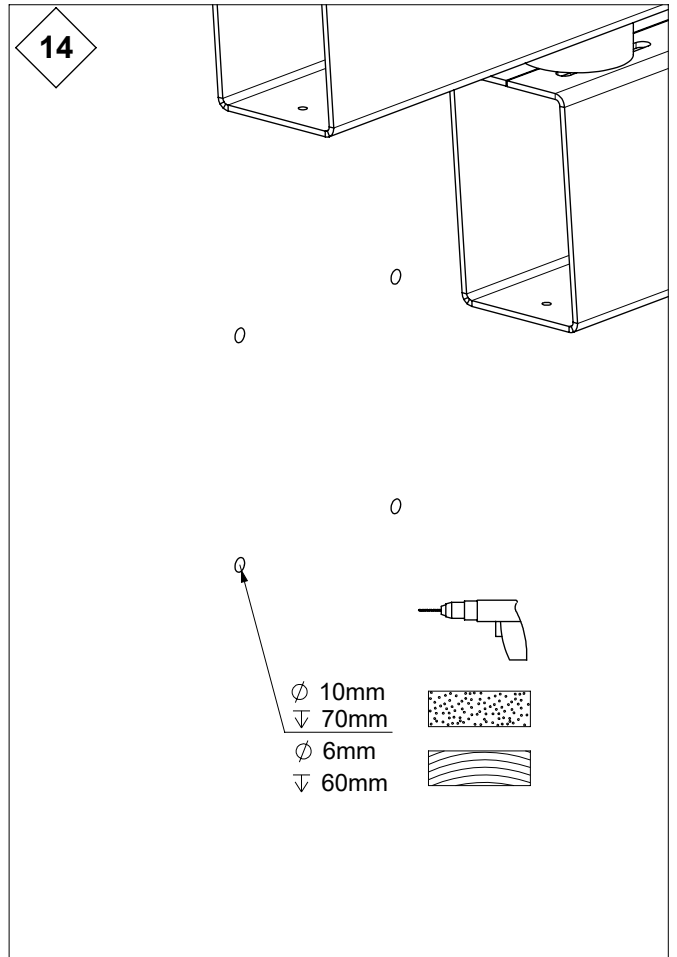
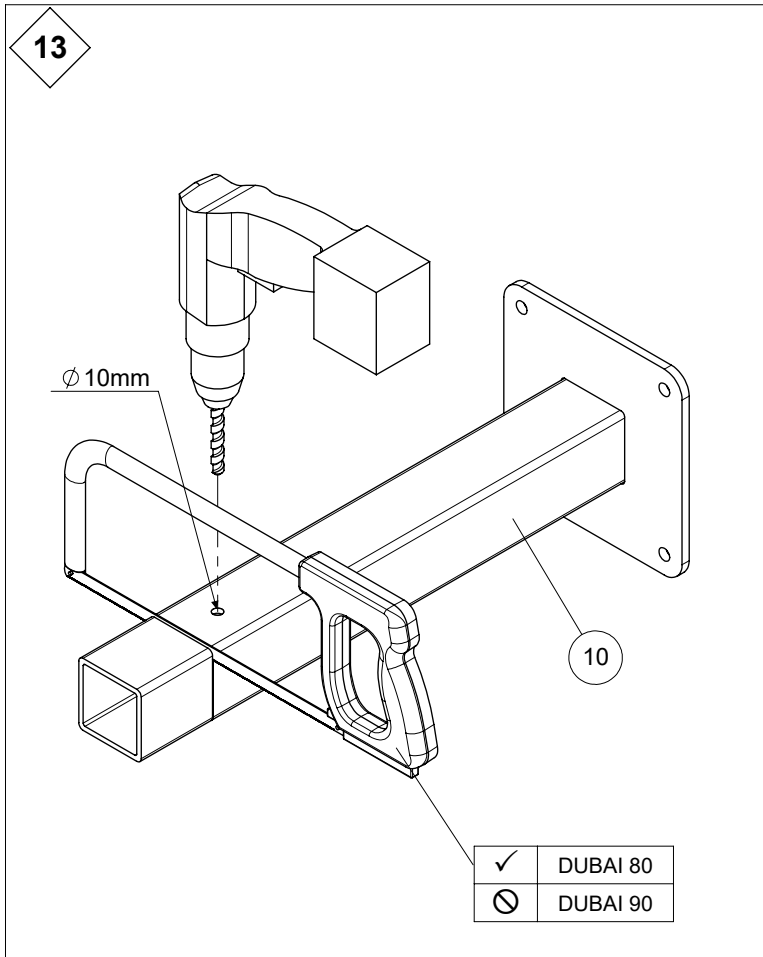
NL: Het is uw verantwoordelijkheid om ervoor te zorgen dat de muur het nodige draagvermogen heeft voor de installatie

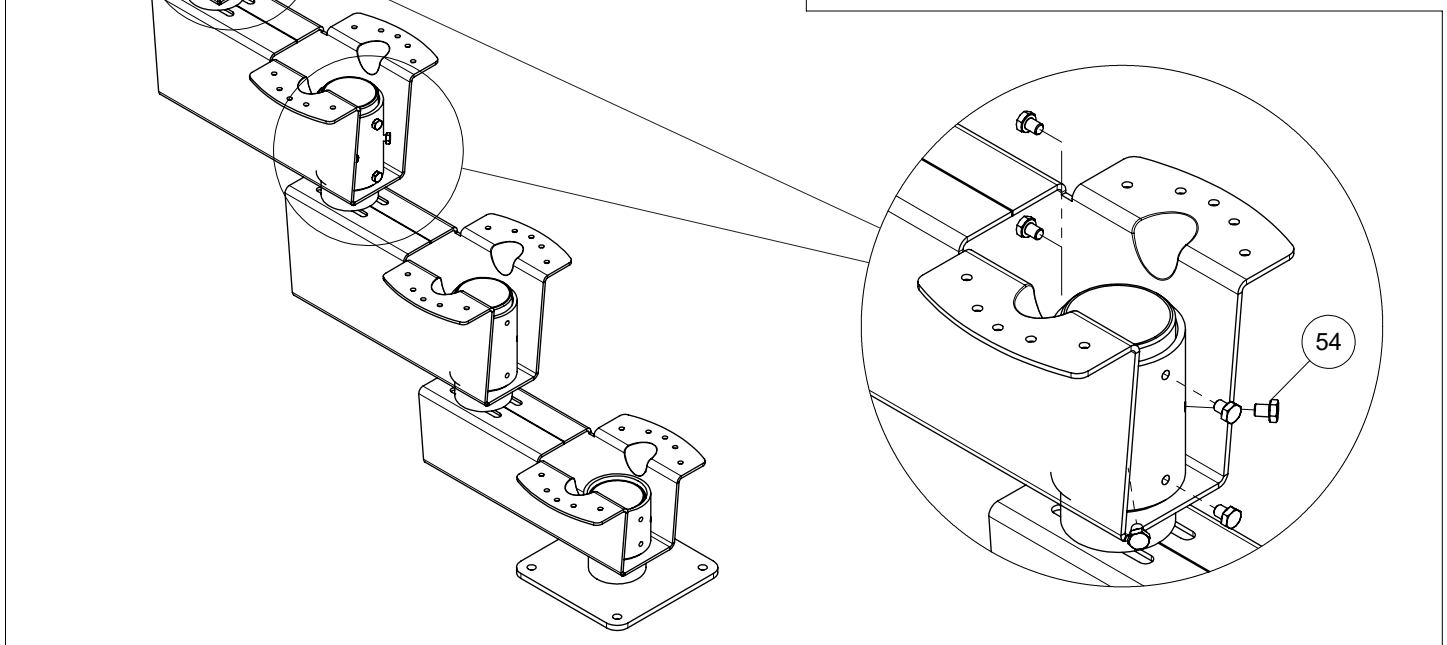
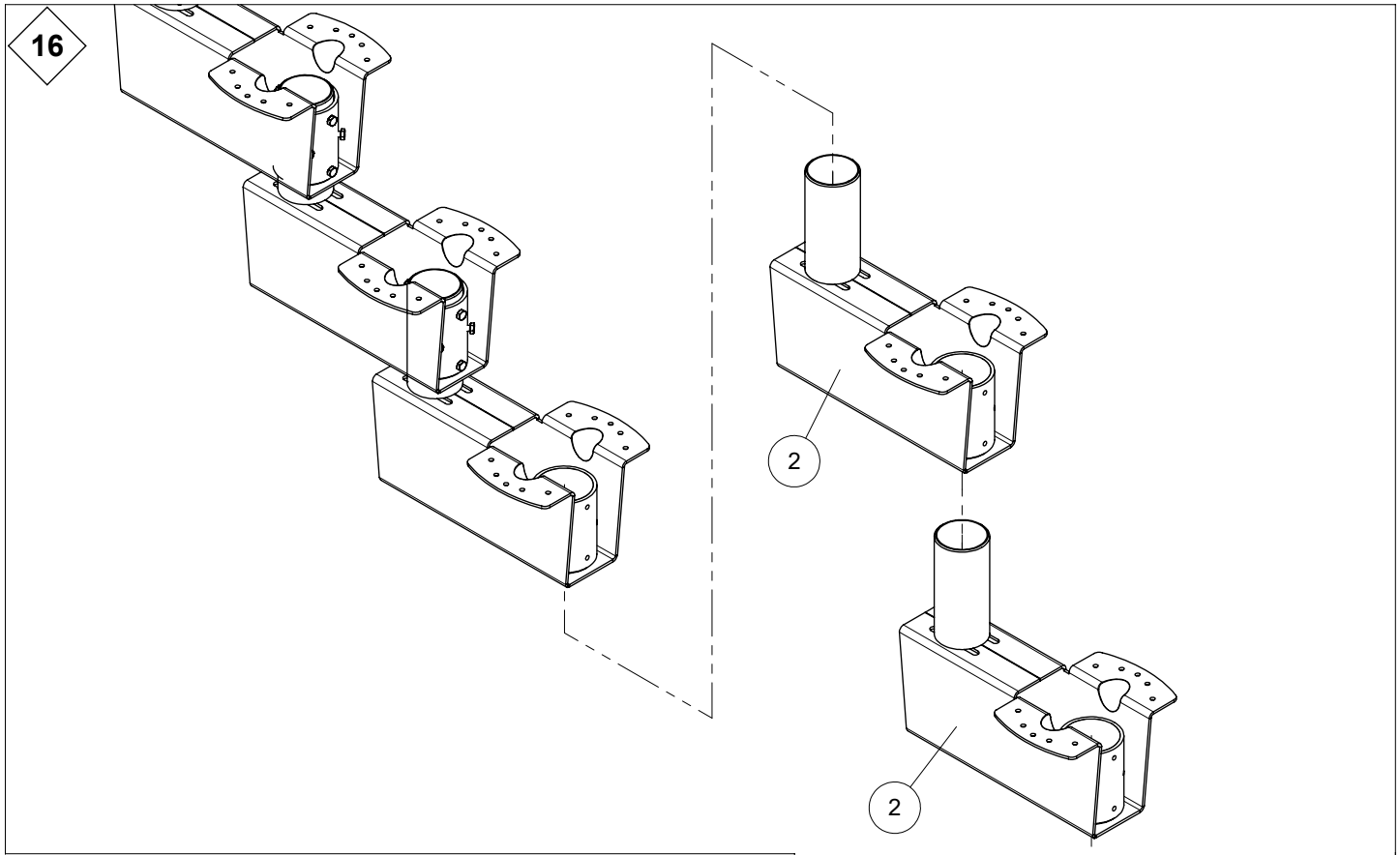
PL: Kupujący ma obowiązek upewnić się że strop (miejsce przytwierdzenia konstrukcji) ma właściwą nośność, i jest wykonany z odpowiednich materiałów, do przytwierdzenia schodów.

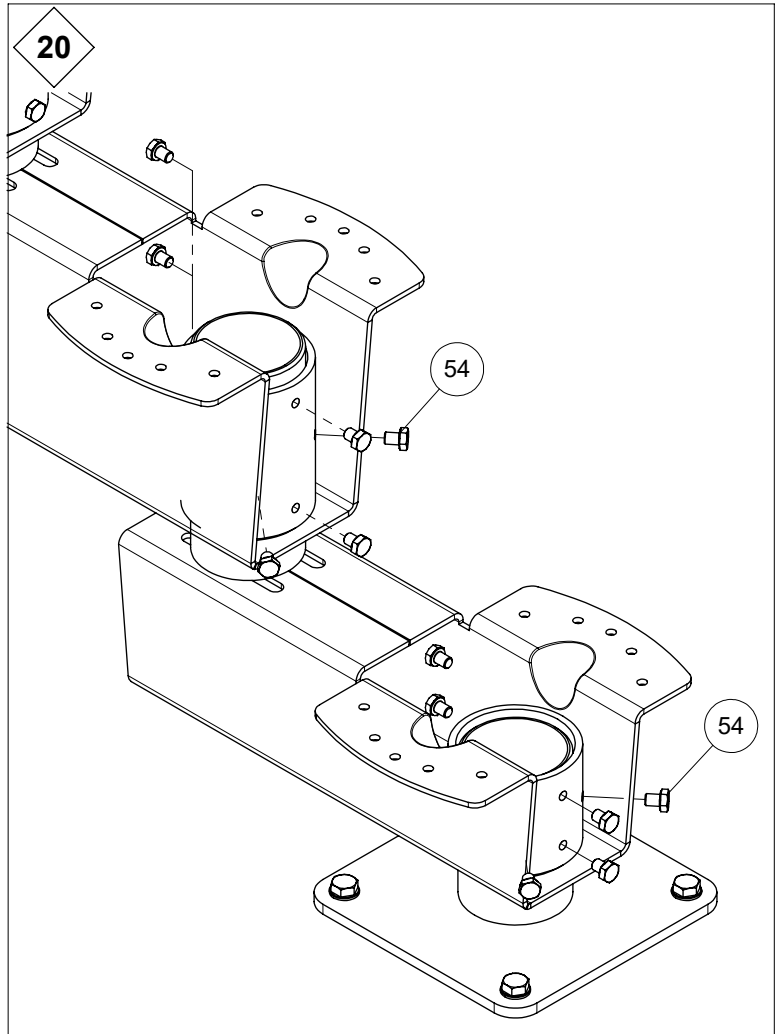
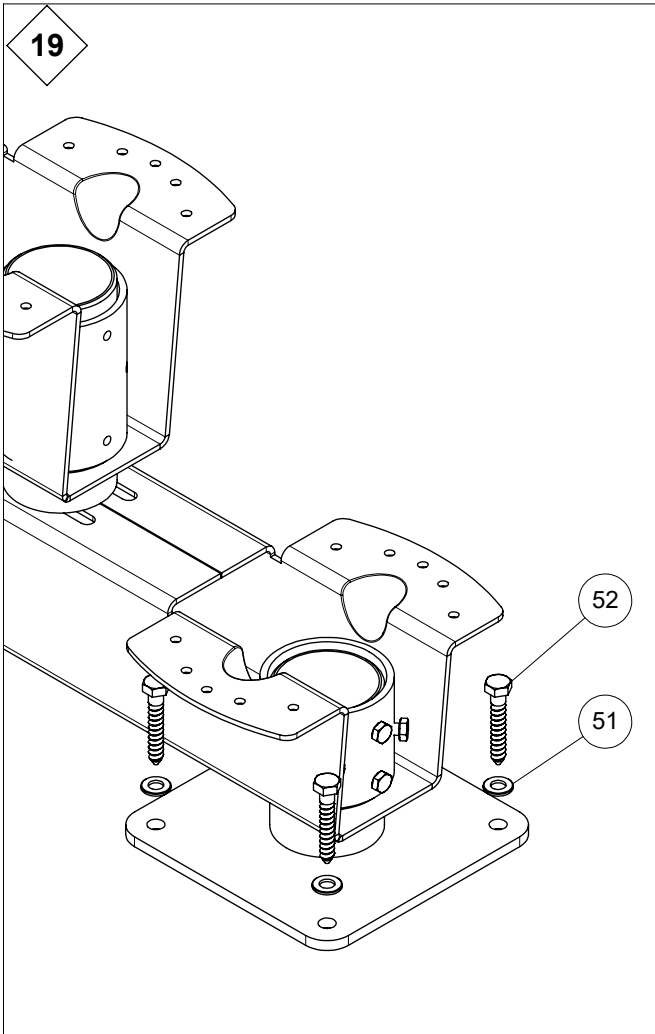
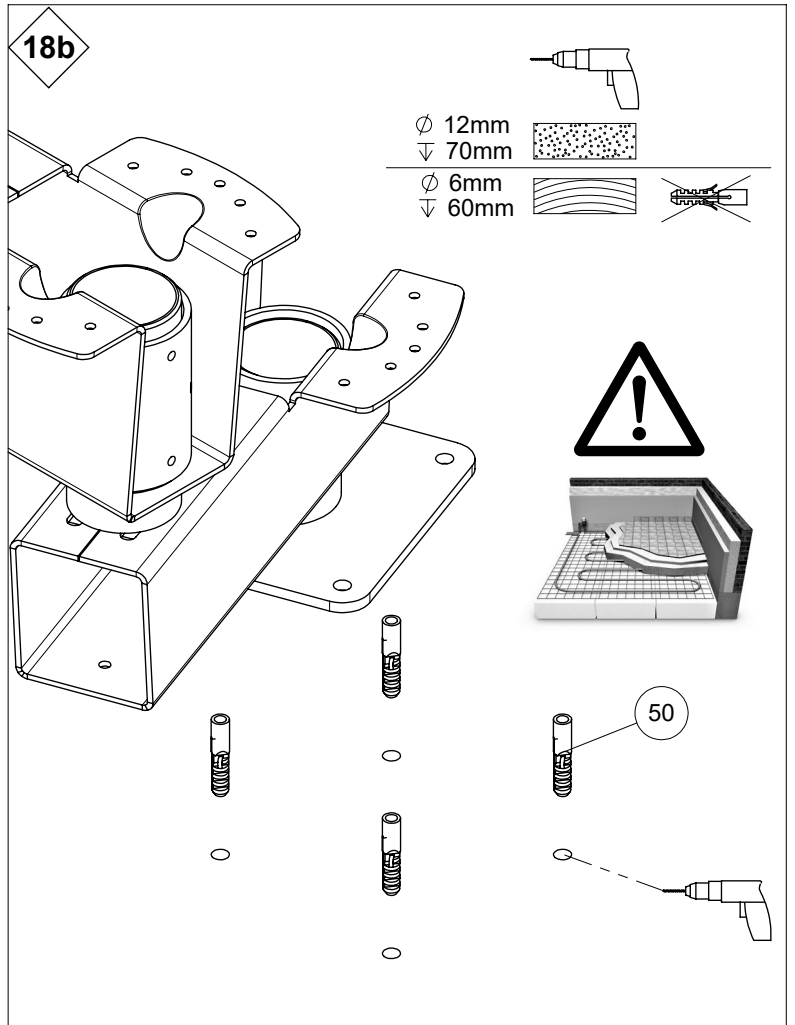
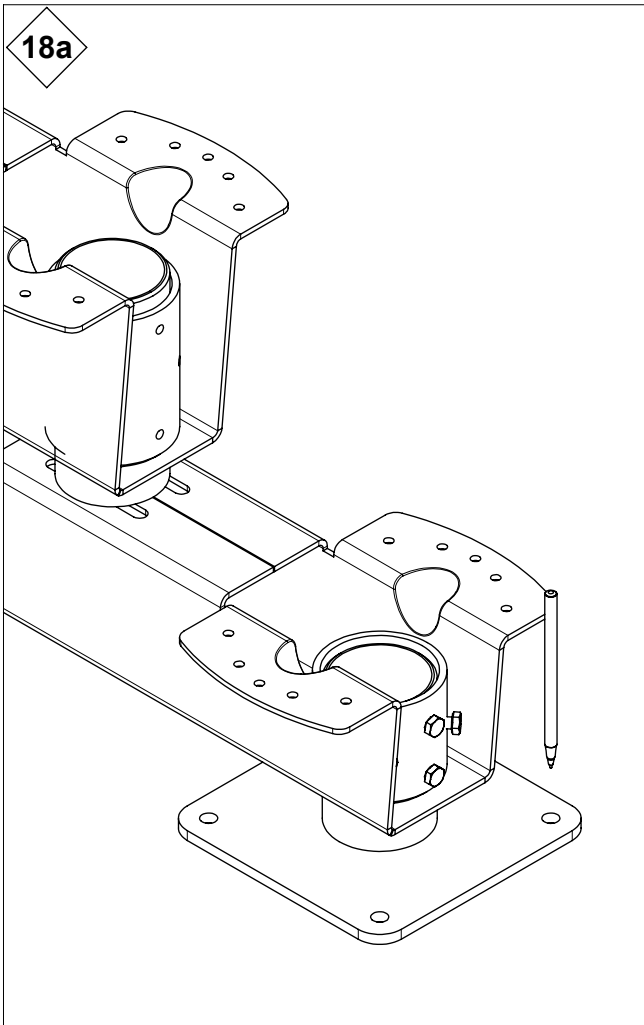
DK: Det er kundens eget ansvar at sikre sig at væggen har den fornødne styrke. DOLLE påtager sig ikke noget erstatningsansvar i relation til trappens fastgørelse til væg. Kontakt en fagmand hvis du er i tvivl om væggens bæreevne.

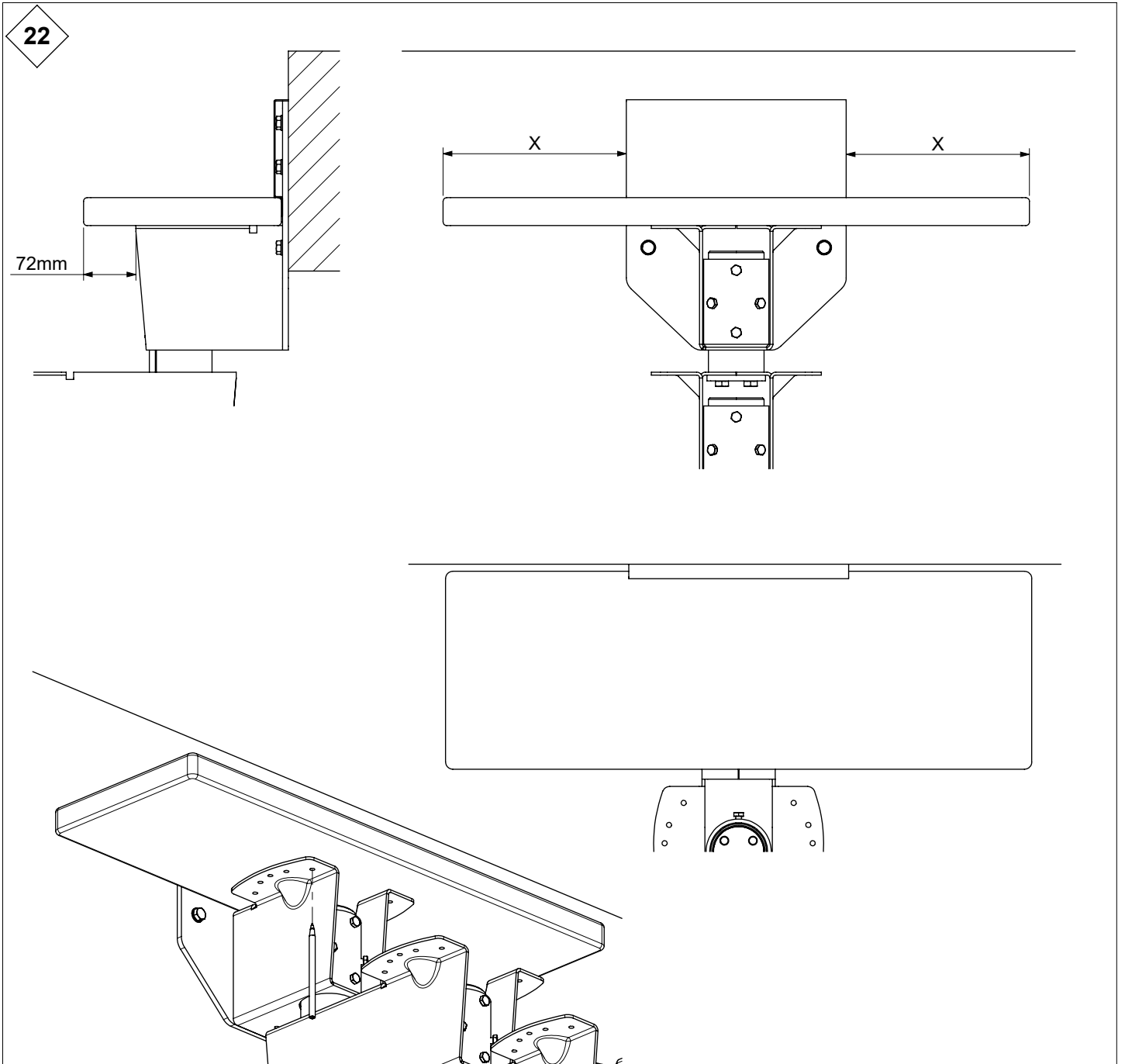
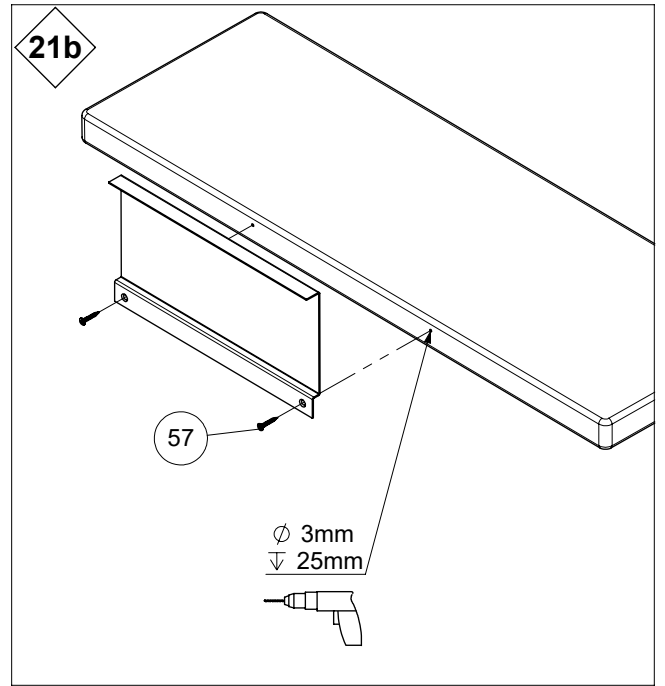
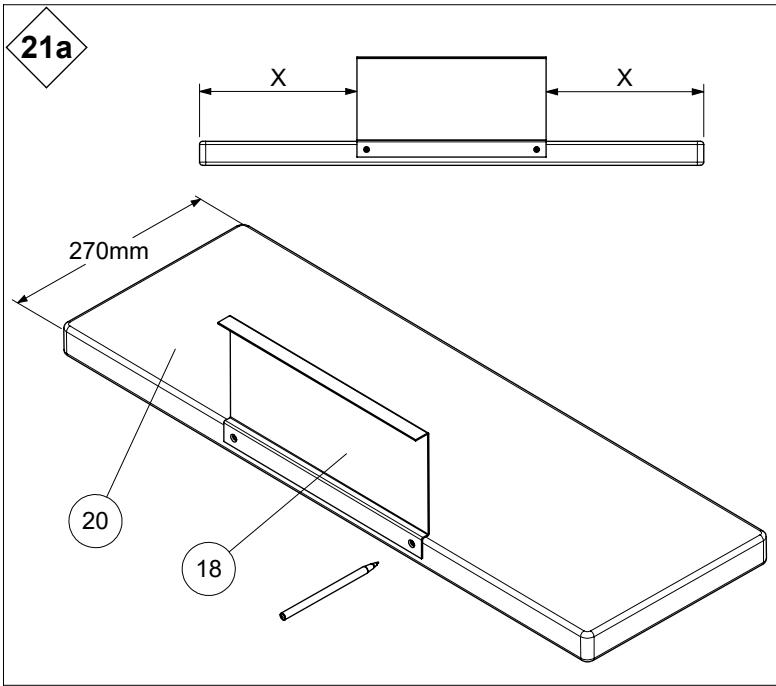
12



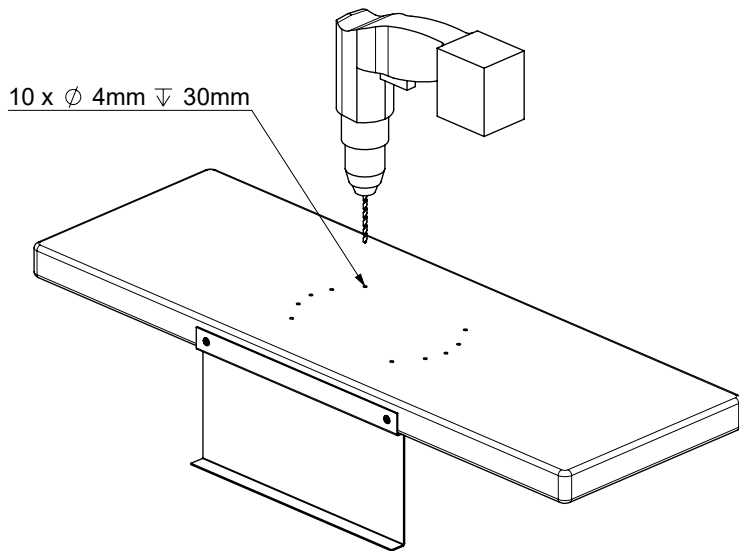




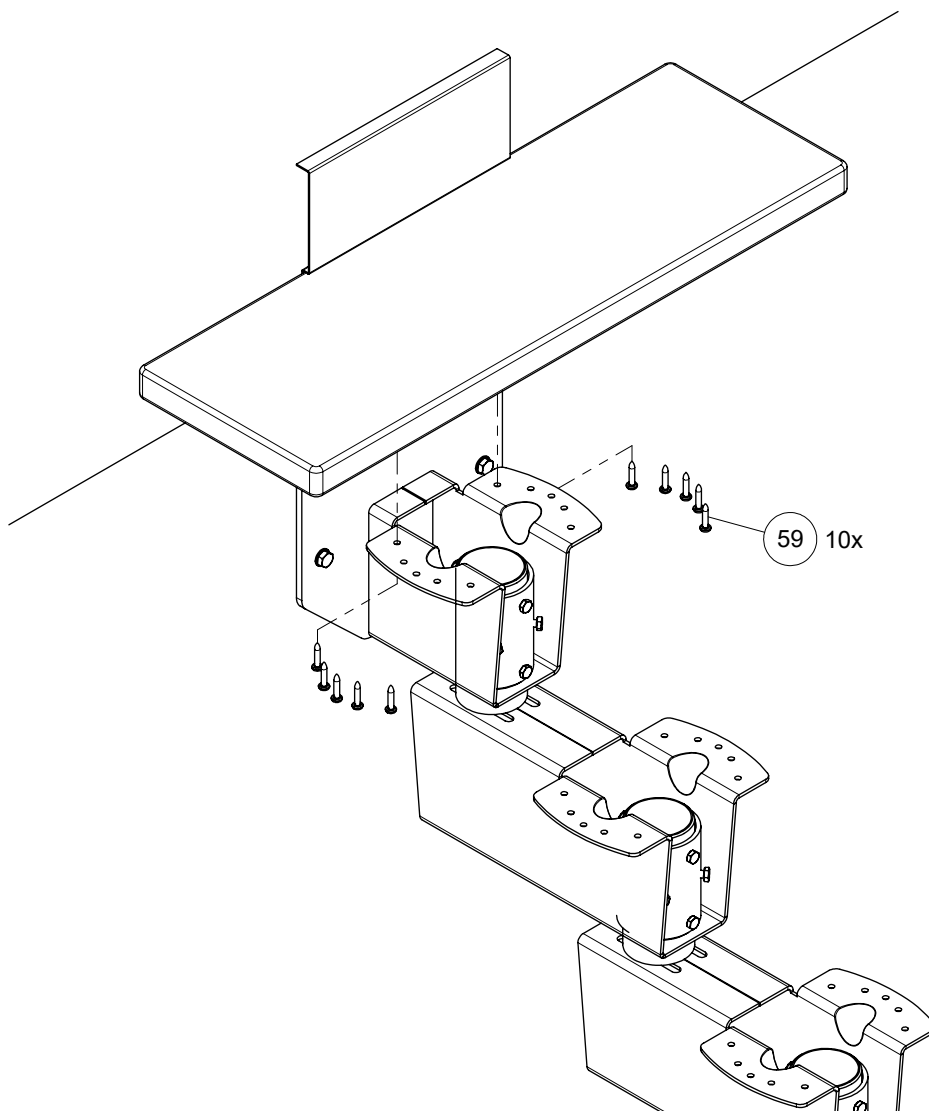




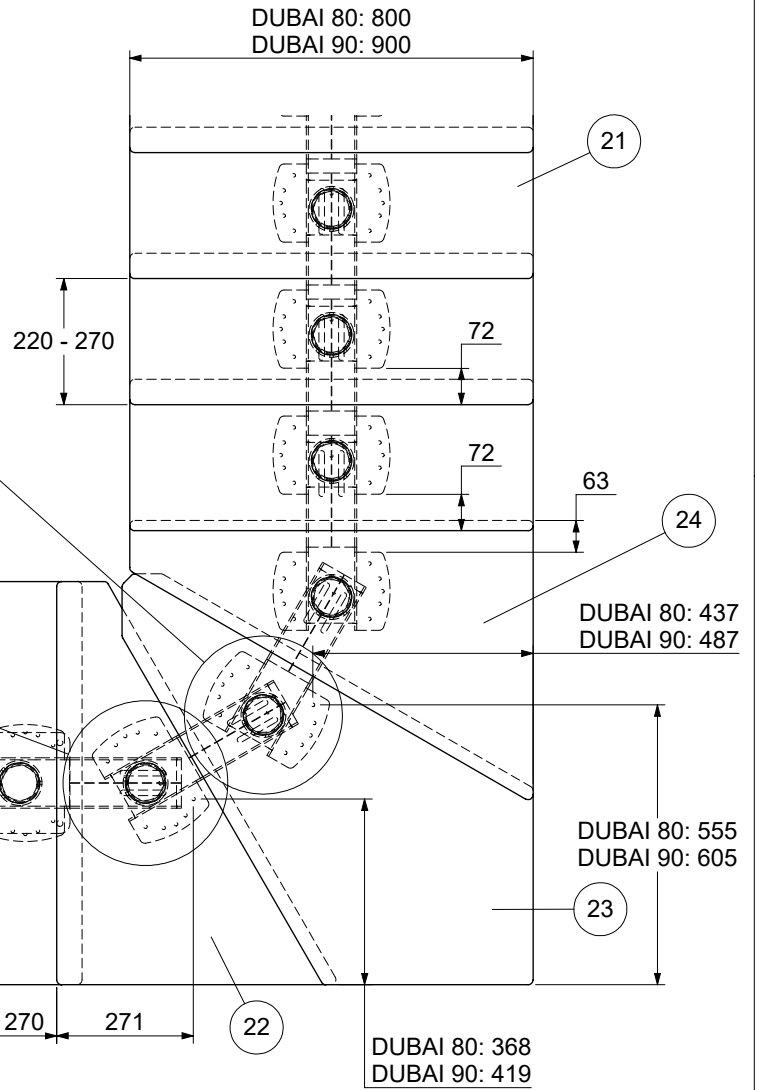
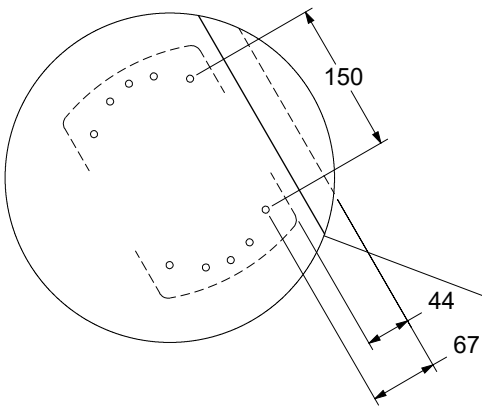
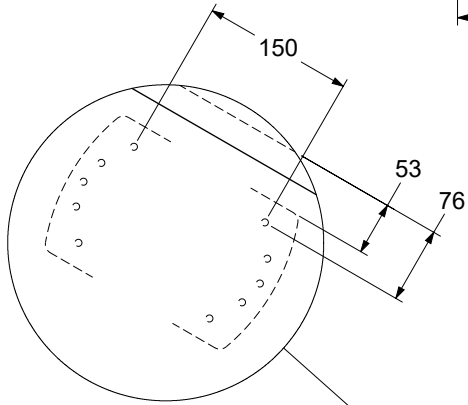
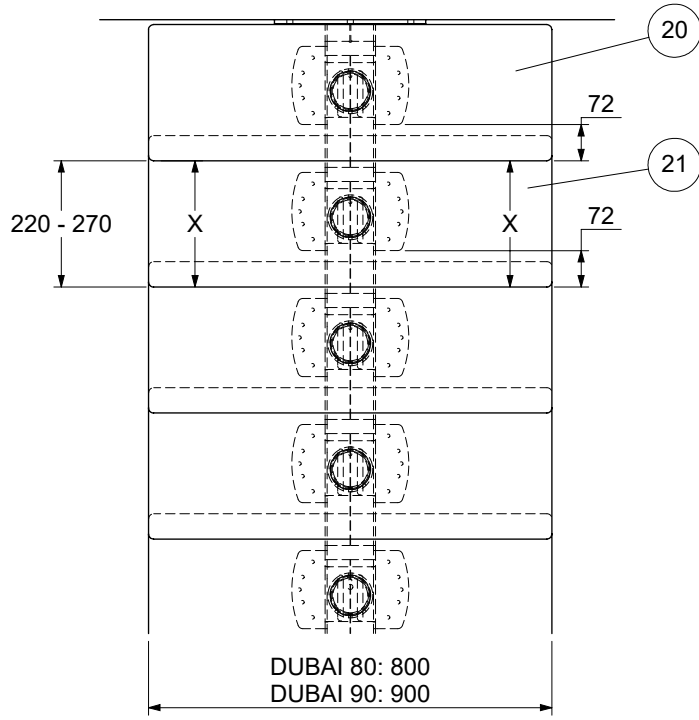
23

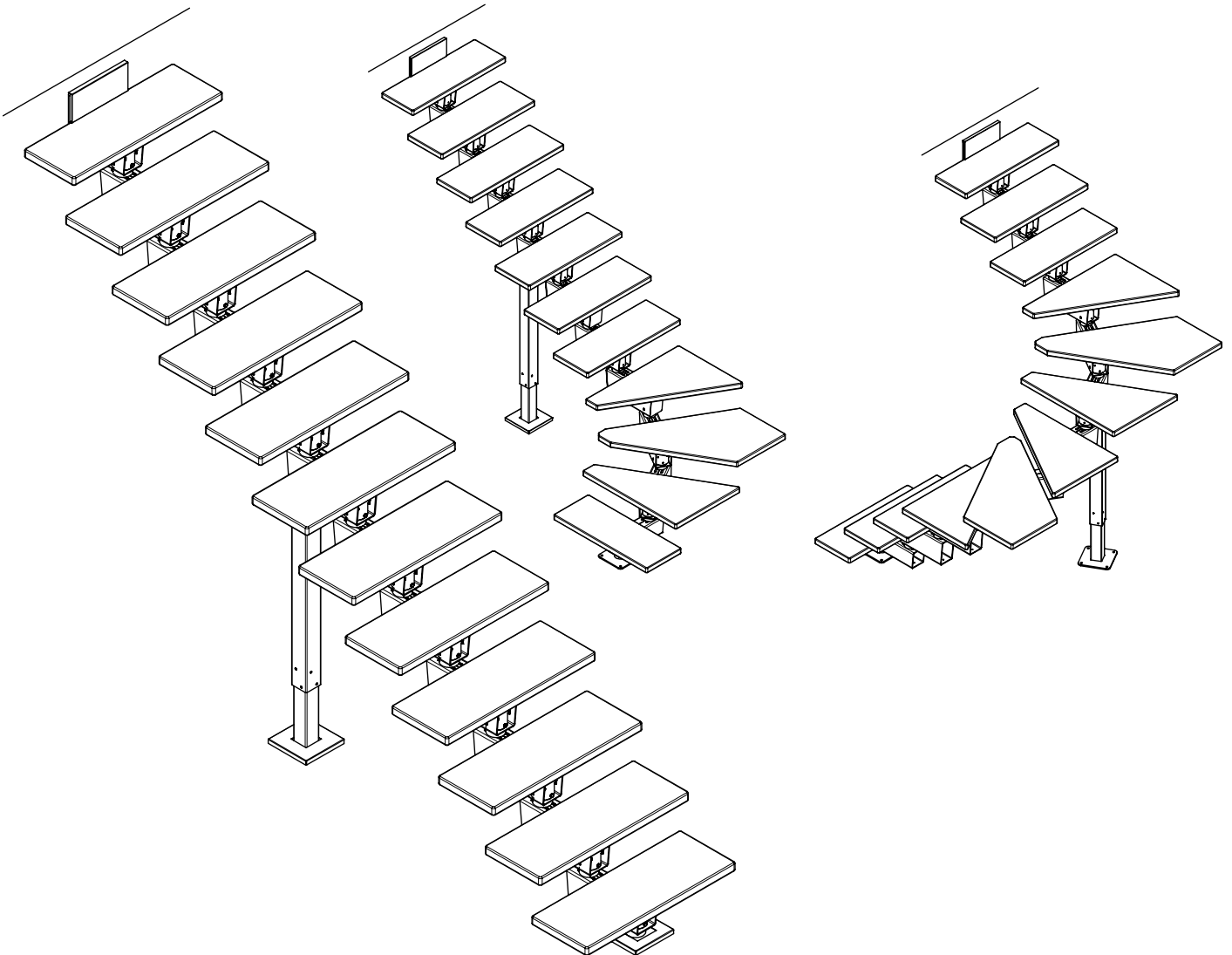
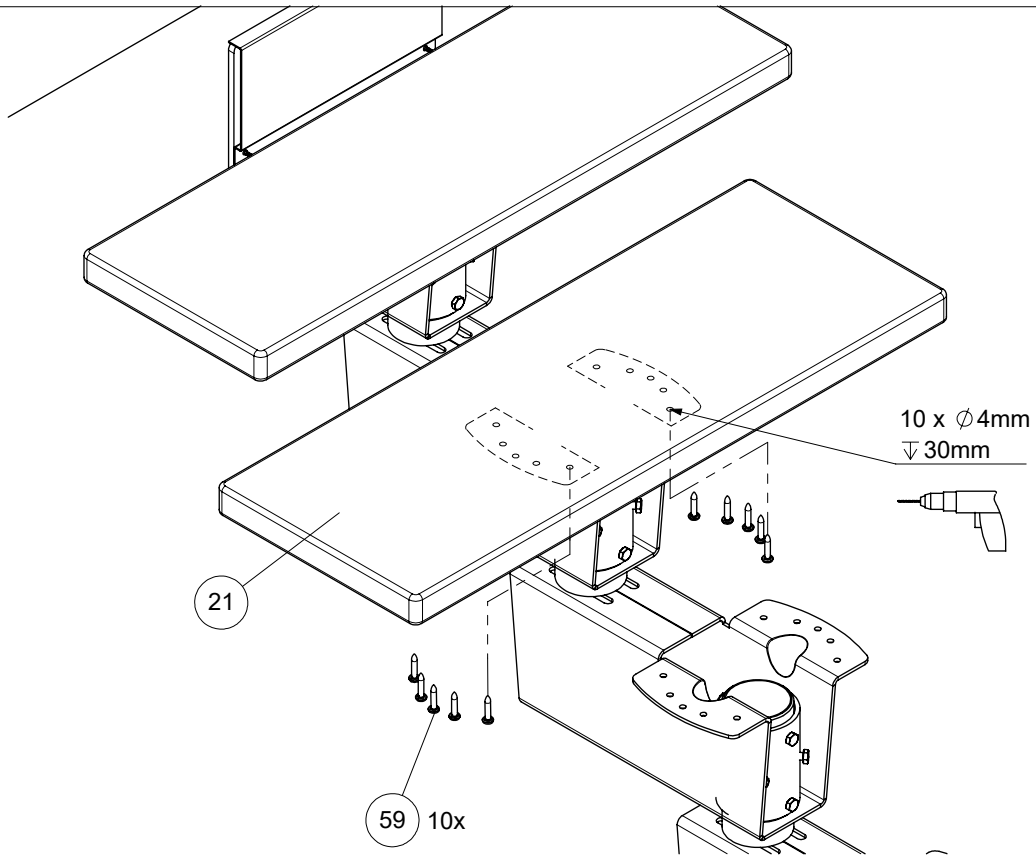


24

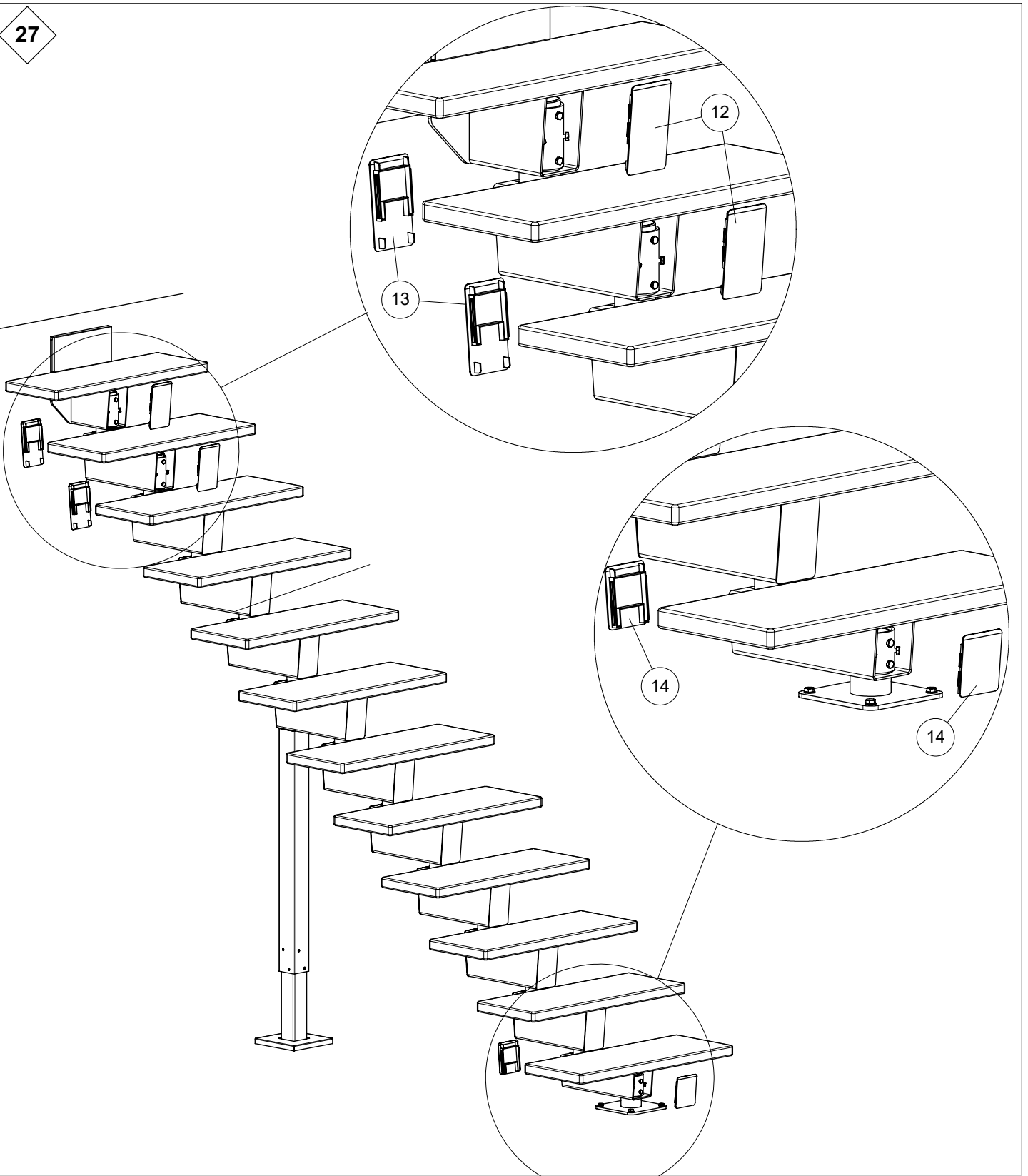


25a

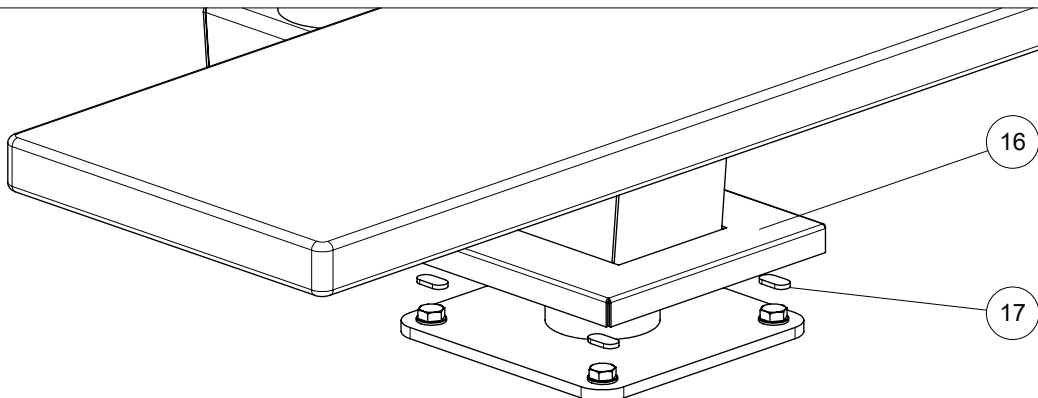




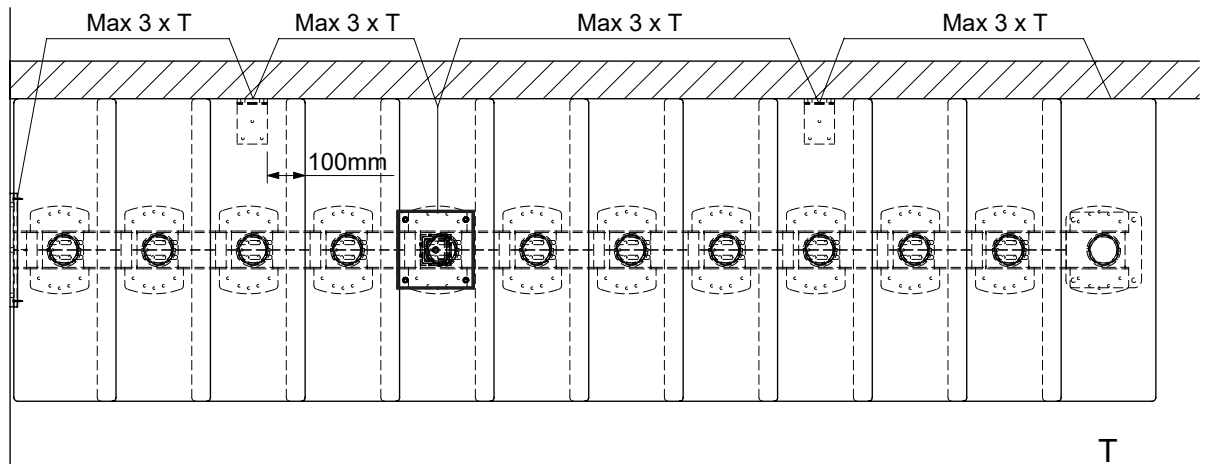
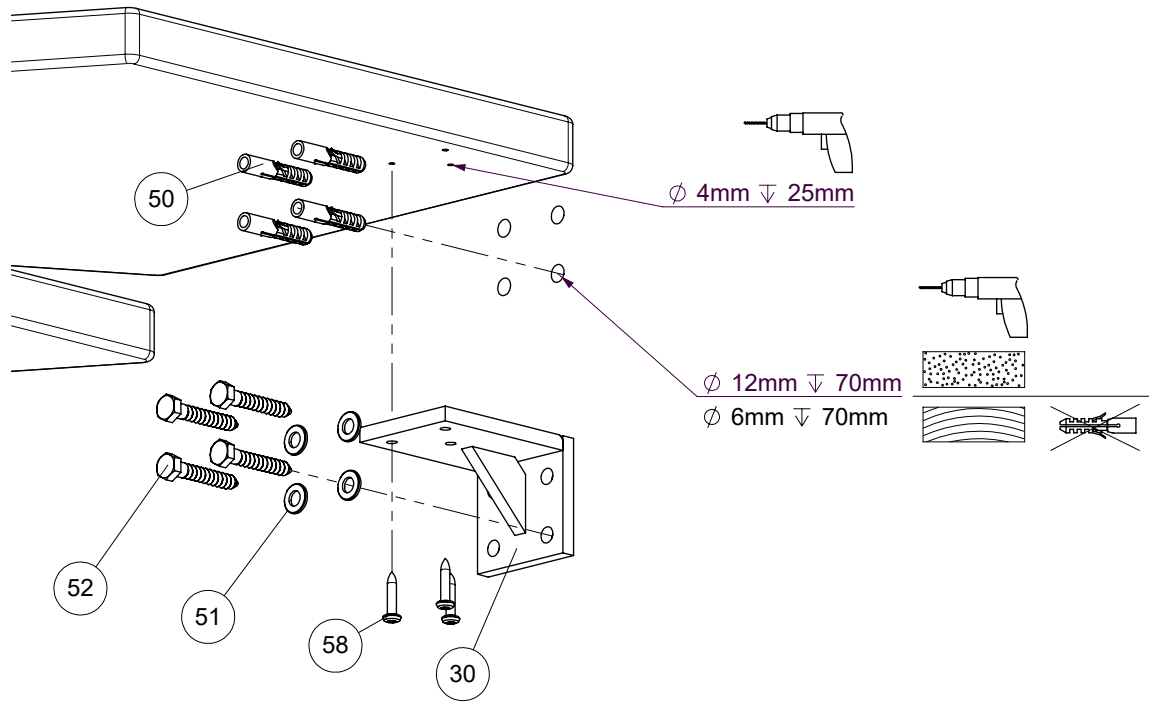
27



28



29a



11	10	9	8	7	6	5	4	3	2	1
----	----	---	---	---	---	---	---	---	---	---

11

12	11	10	9	8	7	6	5	4	3	2	1
----	----	----	---	---	---	---	---	---	---	---	---

12

13	12	11	10	9	8	7	6	5	4	3	2	1
----	----	----	----	---	---	---	---	---	---	---	---	---

13

14	13	12	11	10	9	8	7	6	5	4	3	2	1
----	----	----	----	----	---	---	---	---	---	---	---	---	---

14

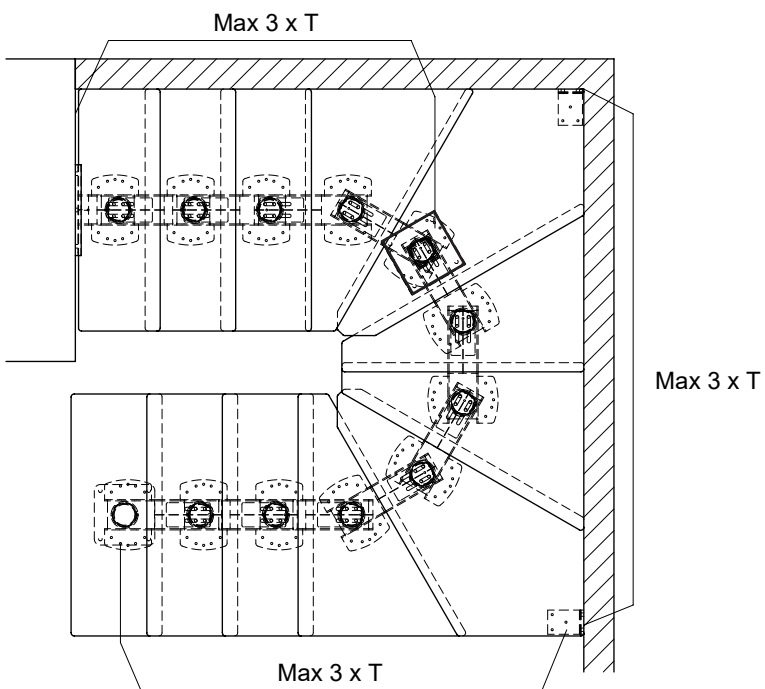
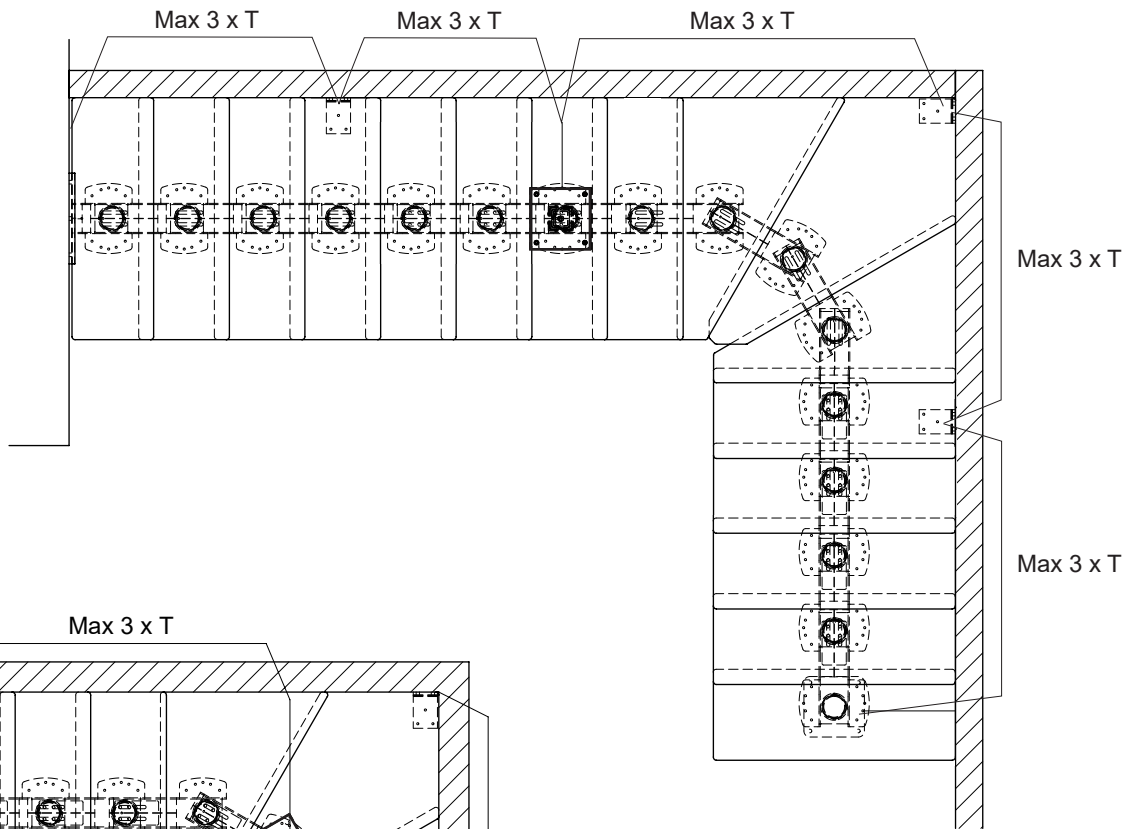
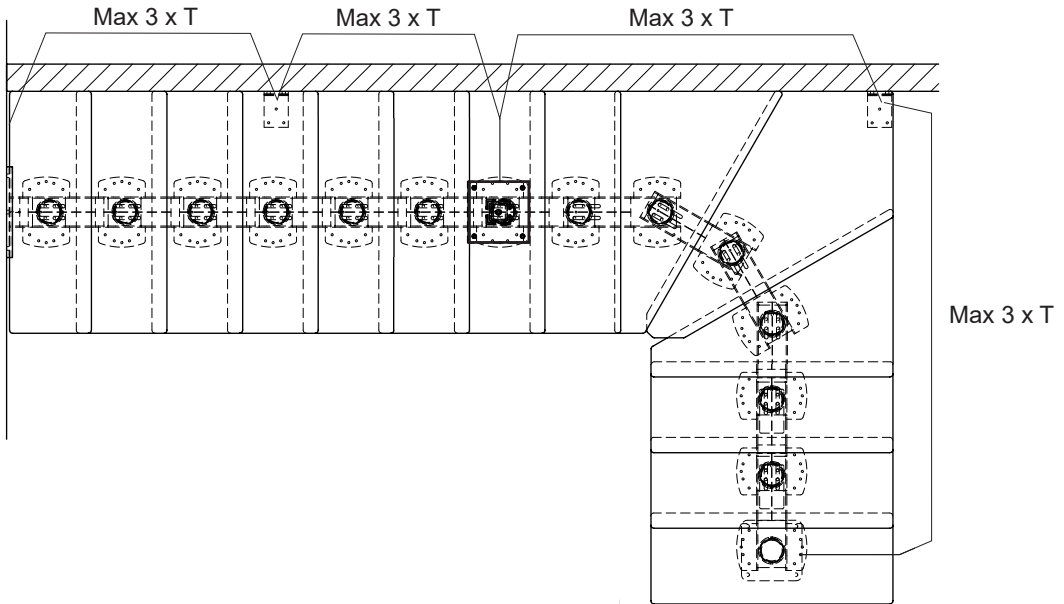
15	14	13	12	11	10	9	8	7	6	5	4	3	2	1
----	----	----	----	----	----	---	---	---	---	---	---	---	---	---

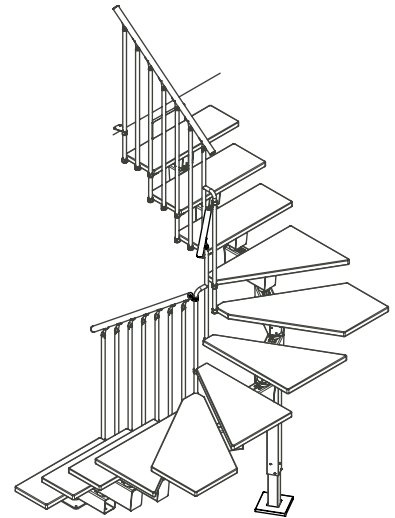
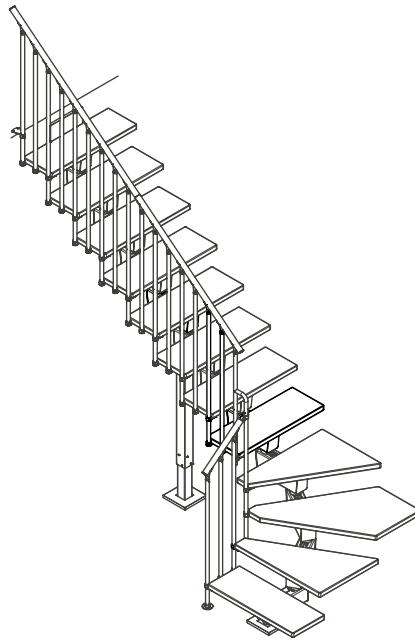
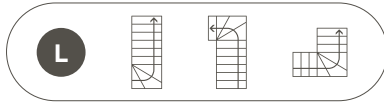
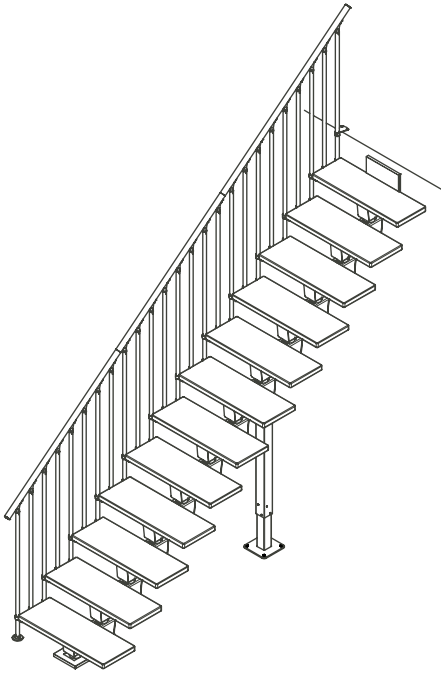
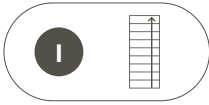
15

16	15	14	13	12	11	10	9	8	7	6	5	4	3	2	1
----	----	----	----	----	----	----	---	---	---	---	---	---	---	---	---

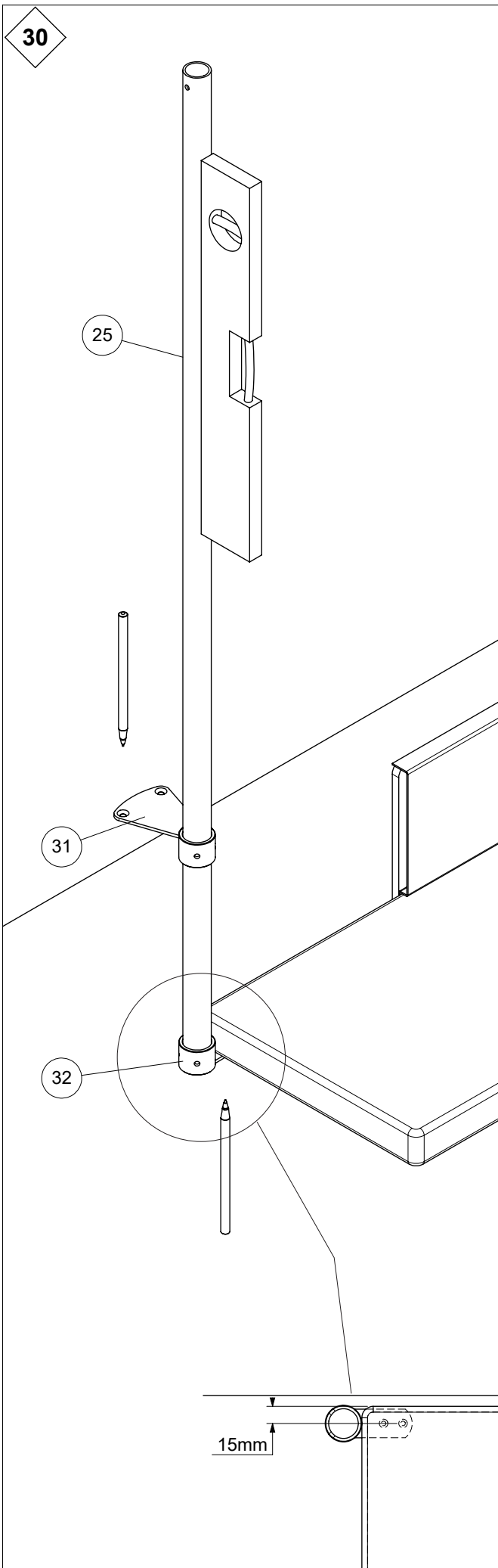
16

29b

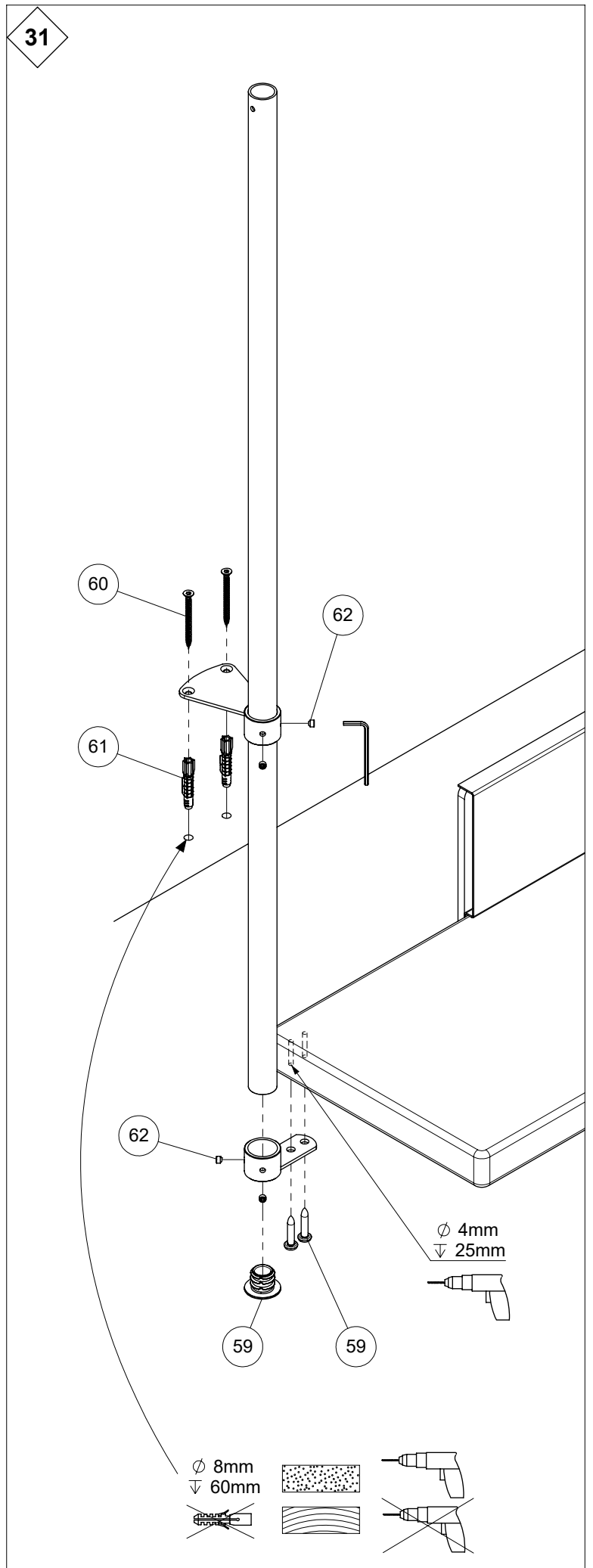


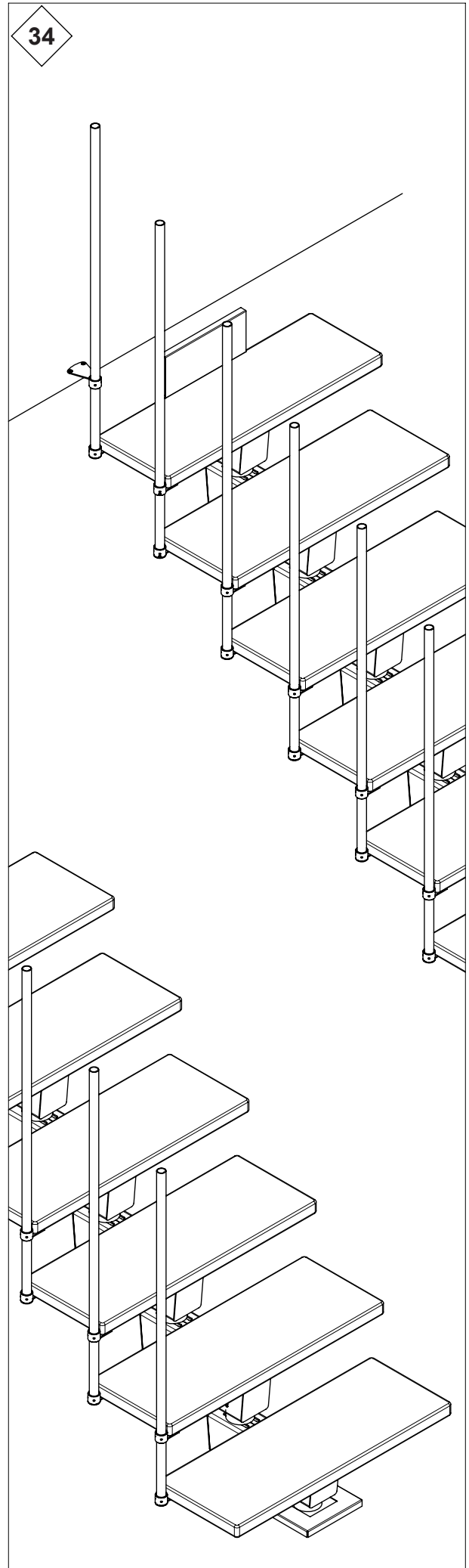
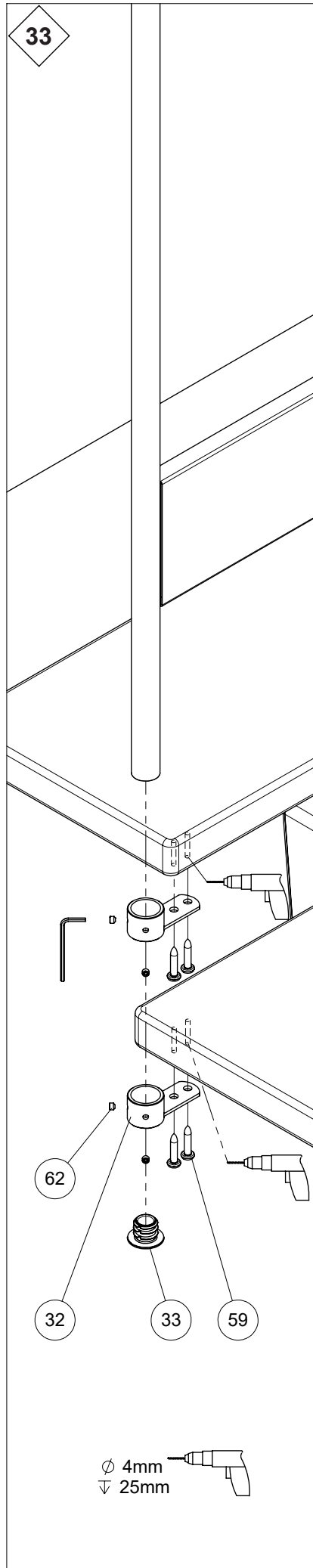
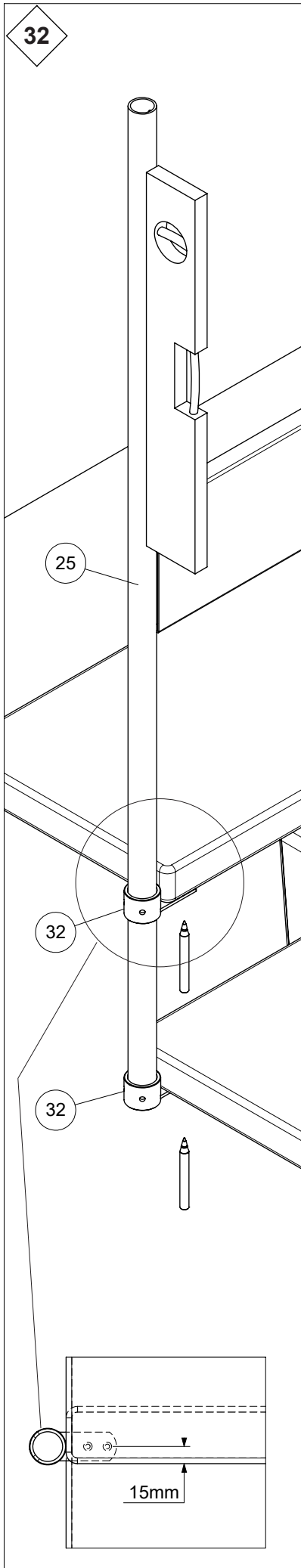


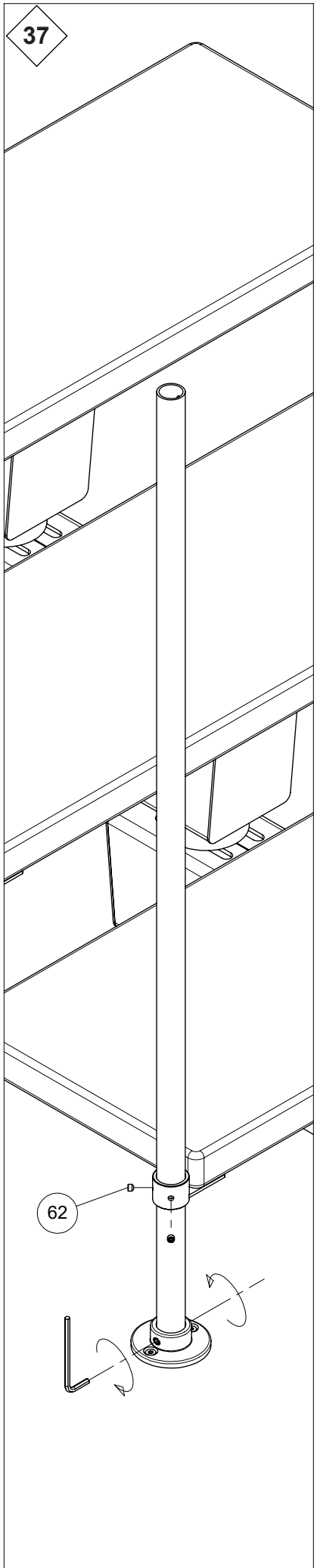
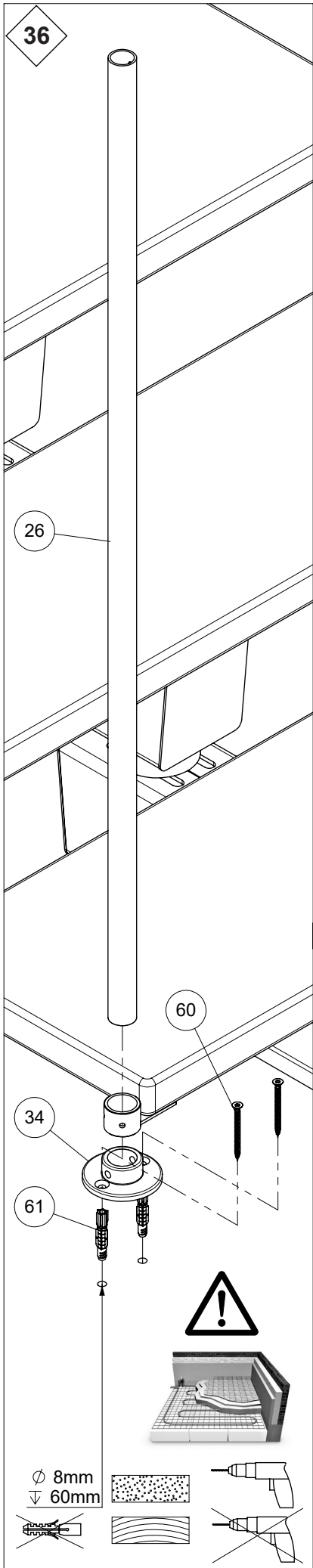
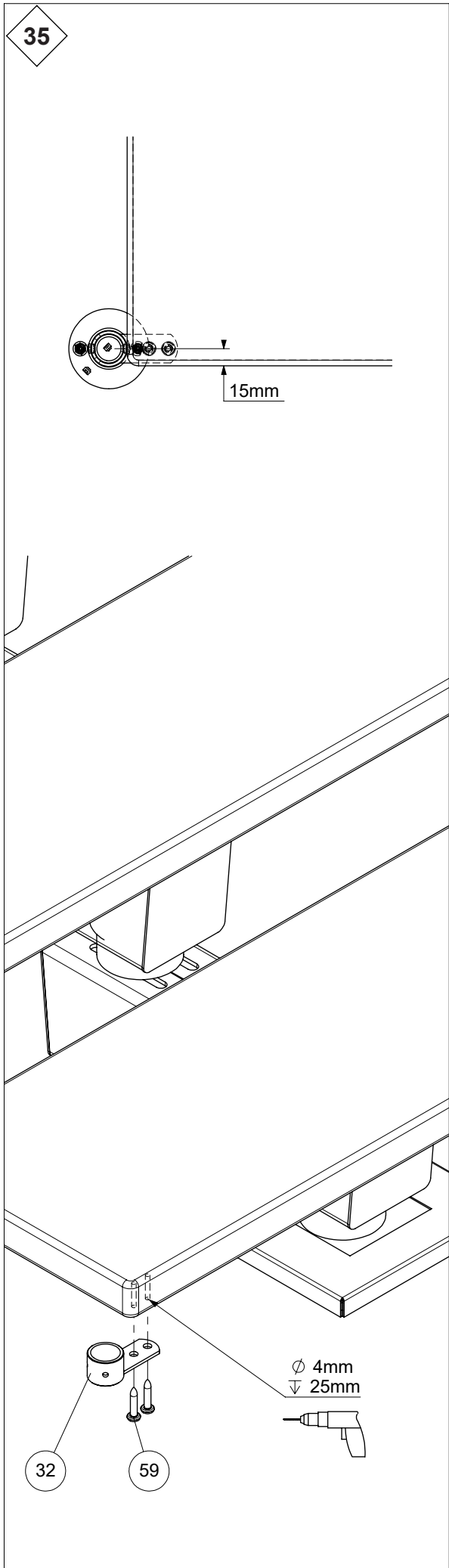
30

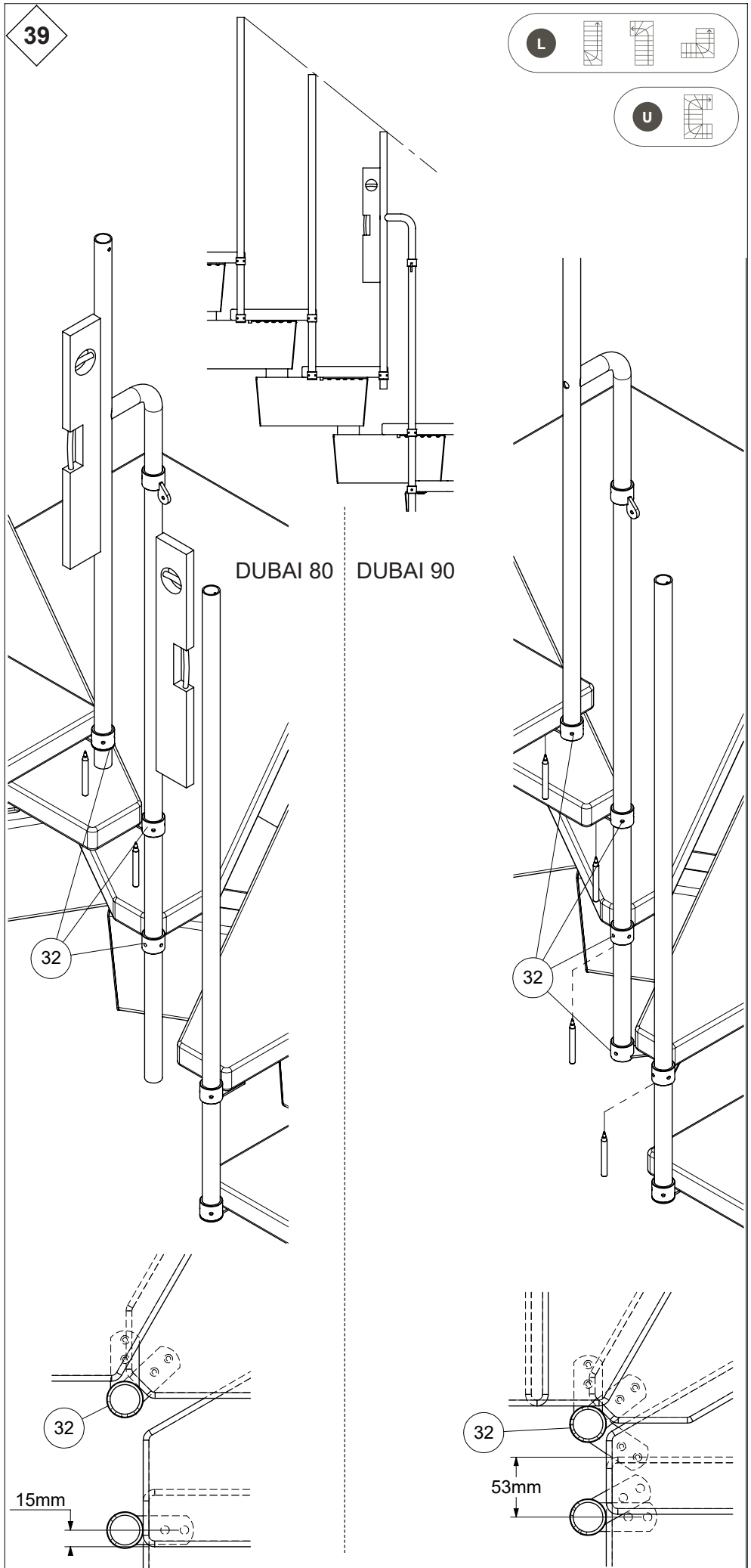
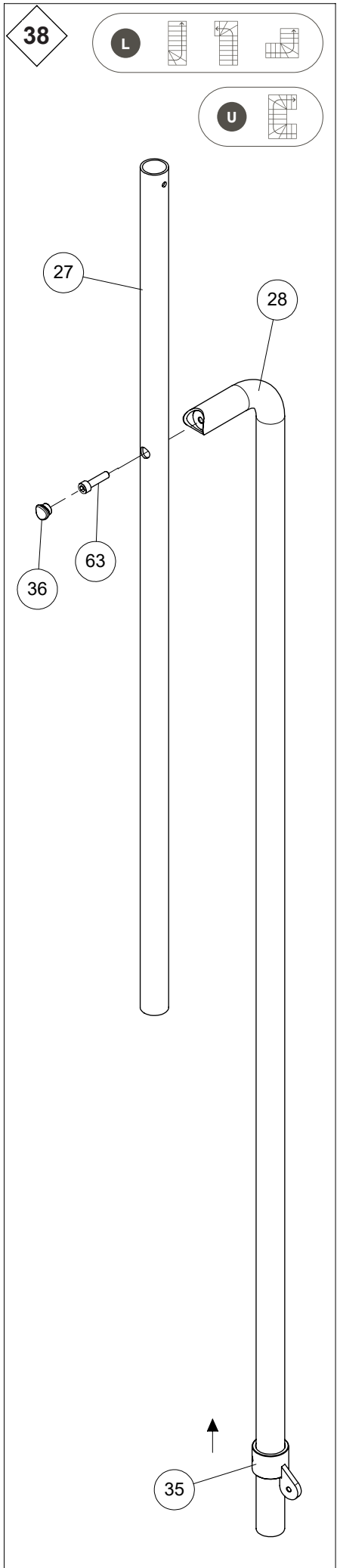


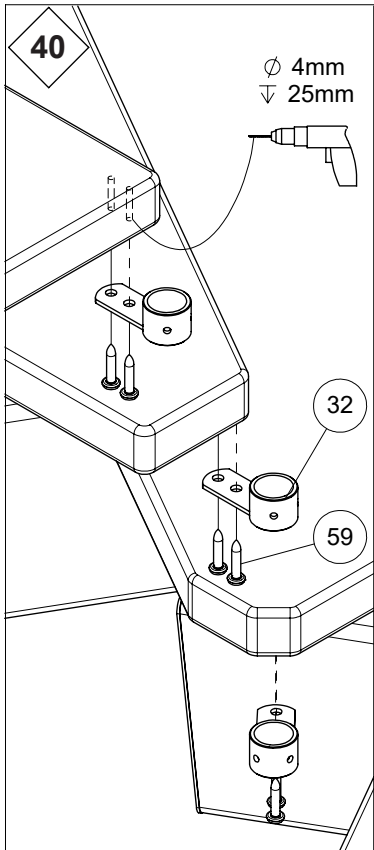
31





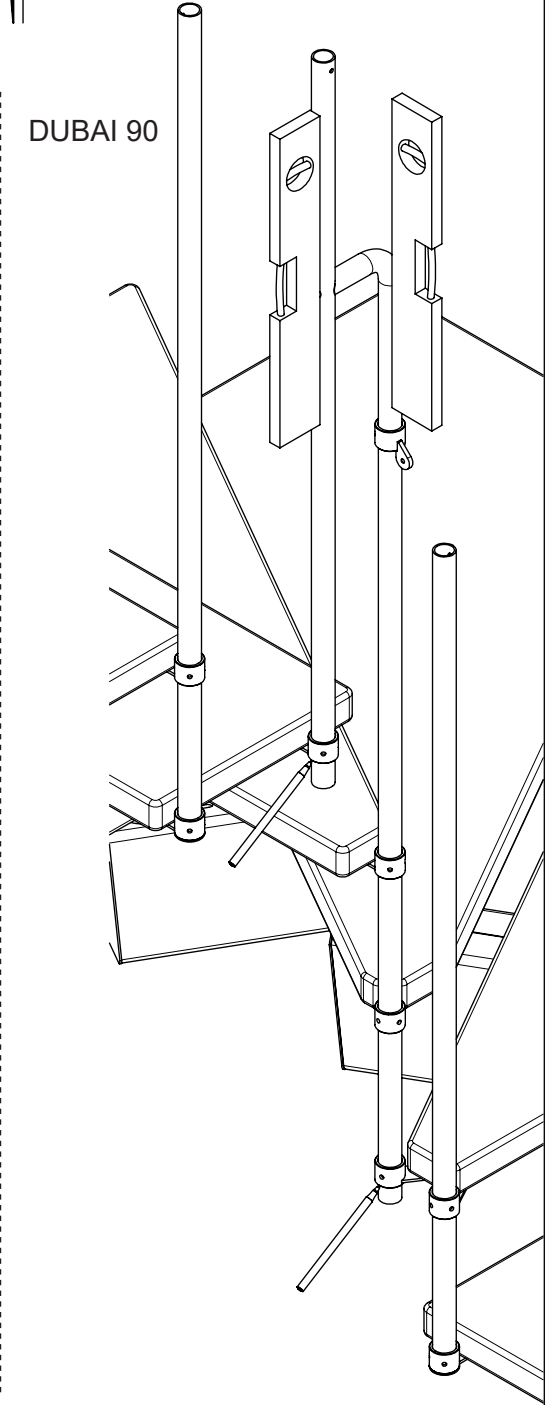
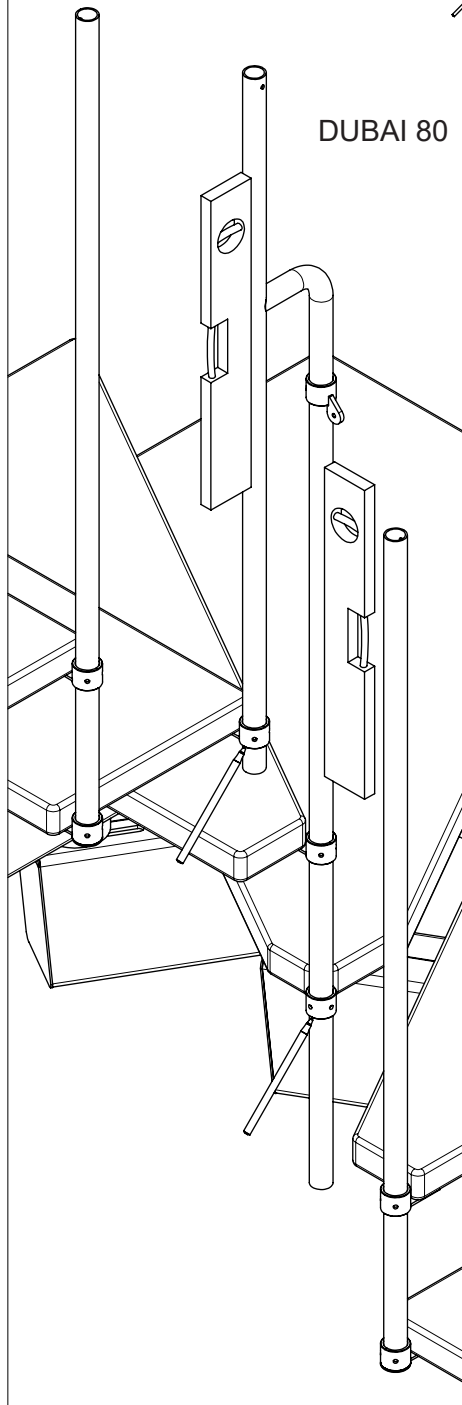
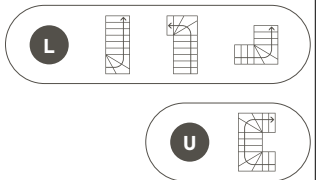
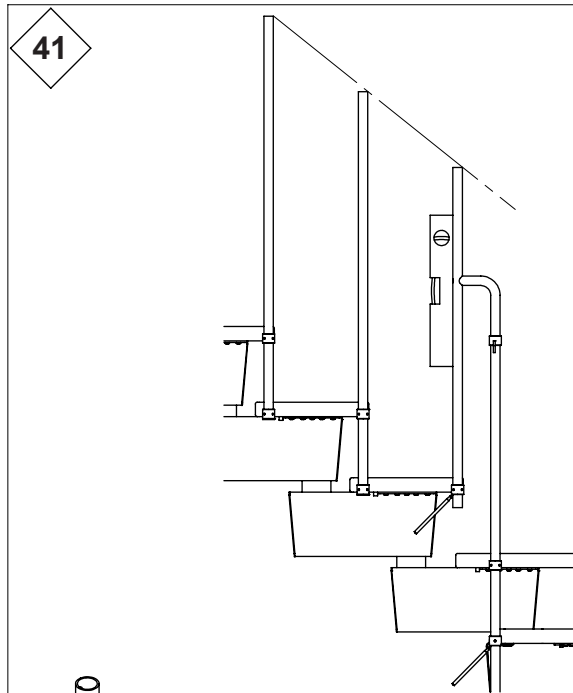
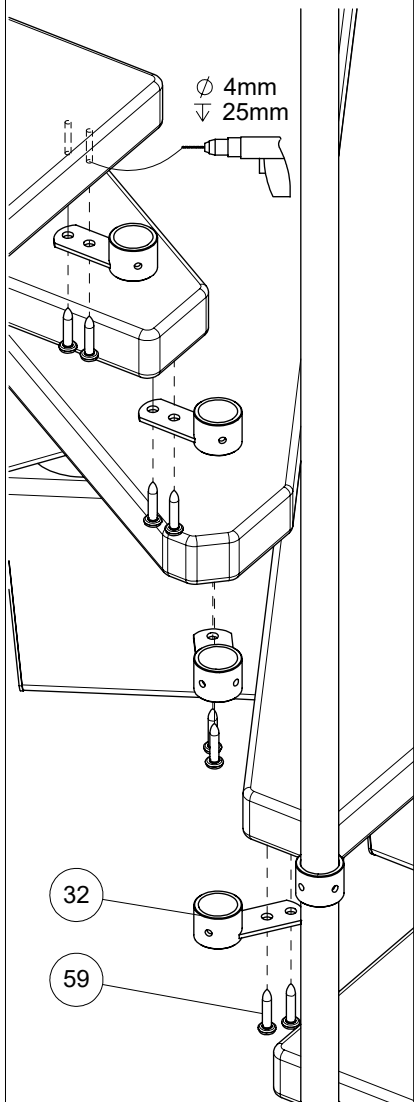


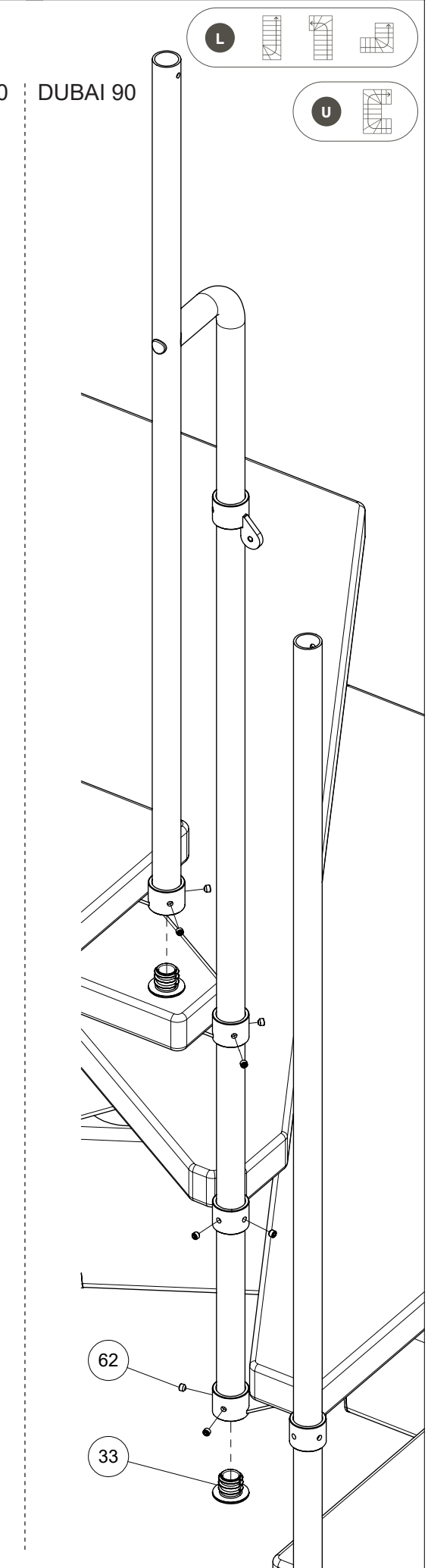
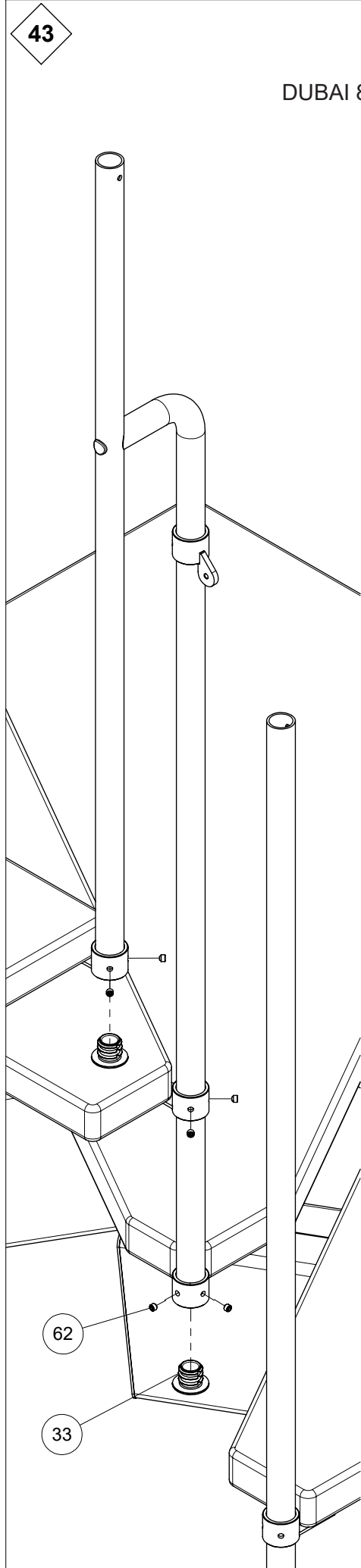
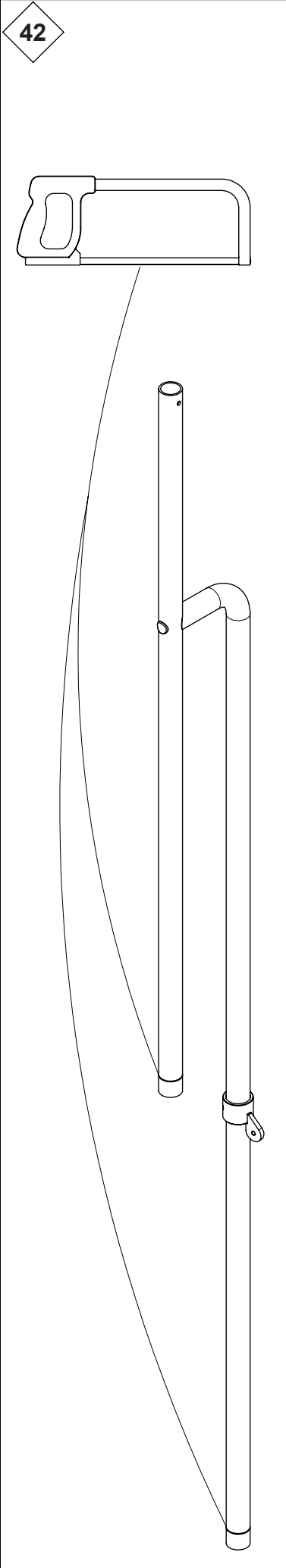


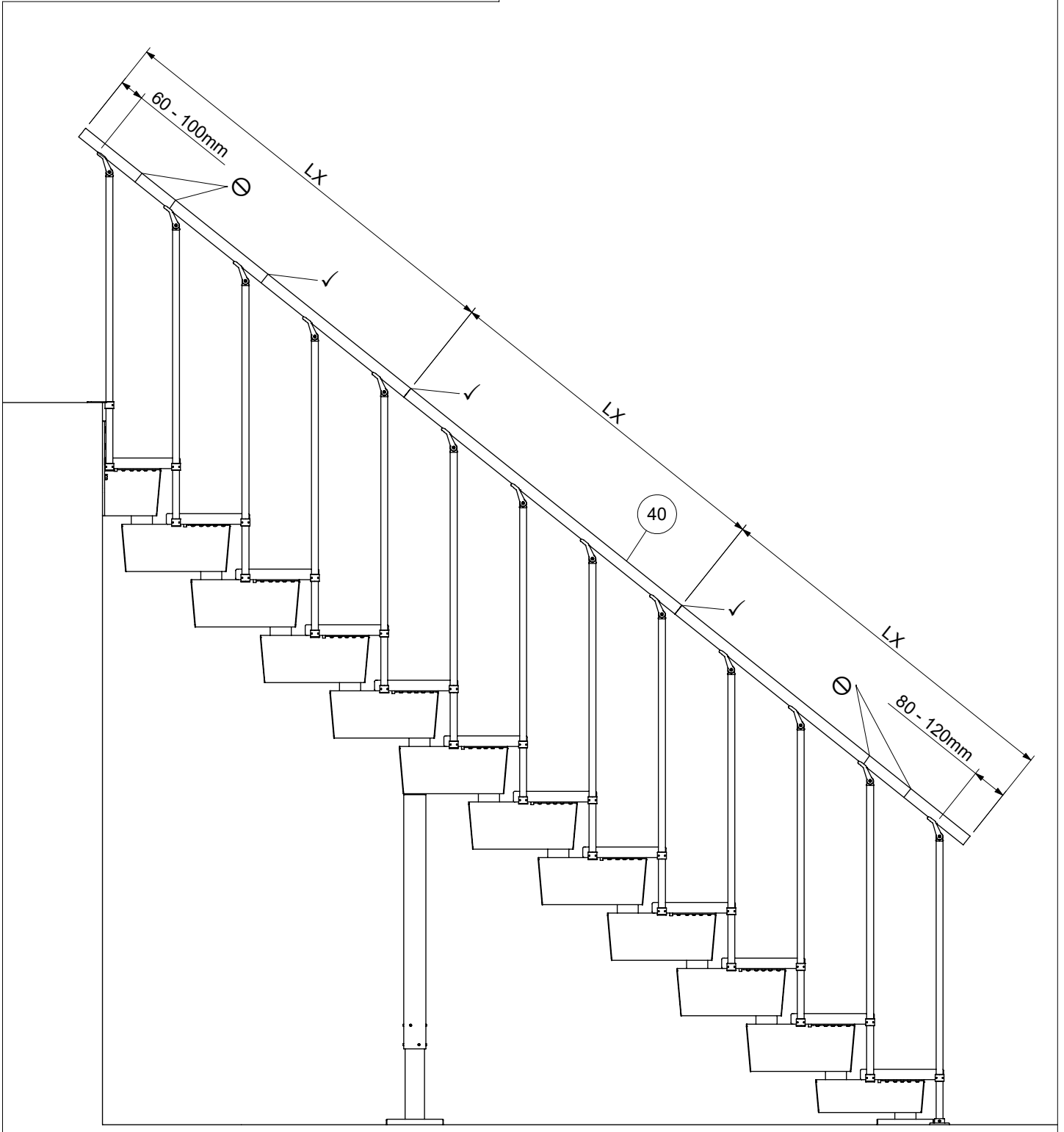
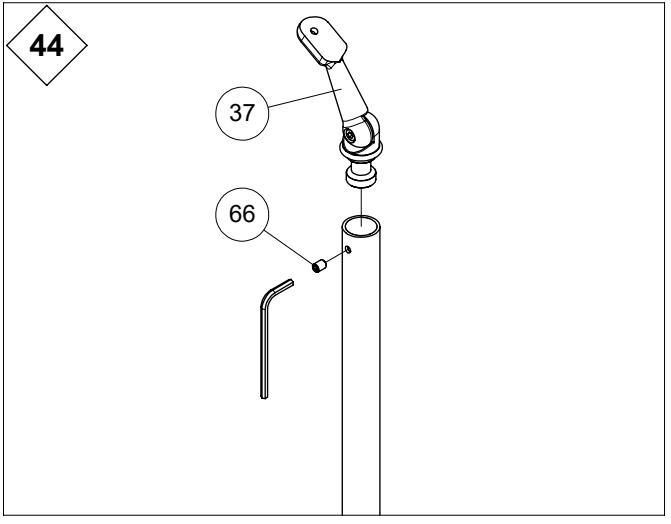


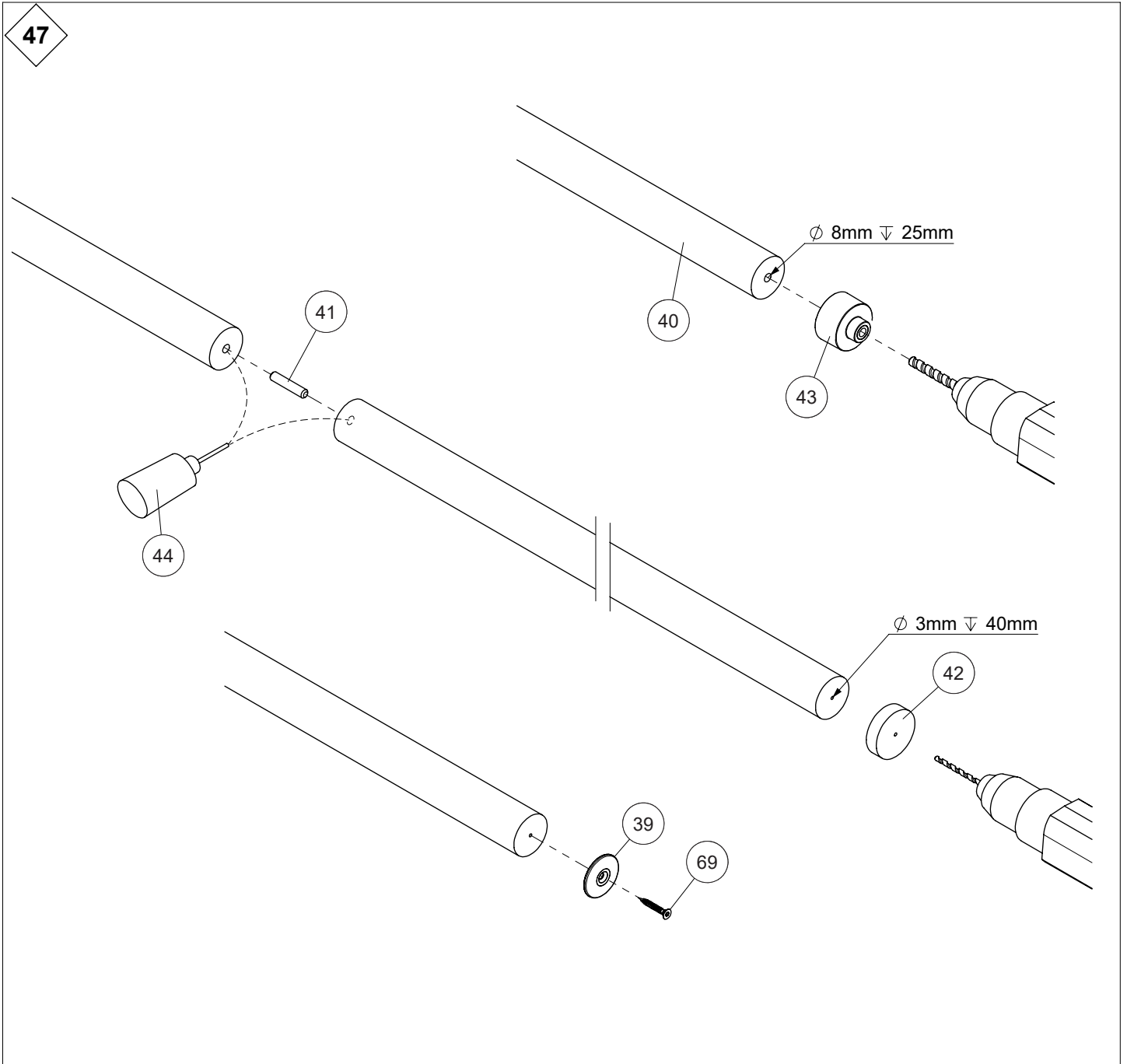
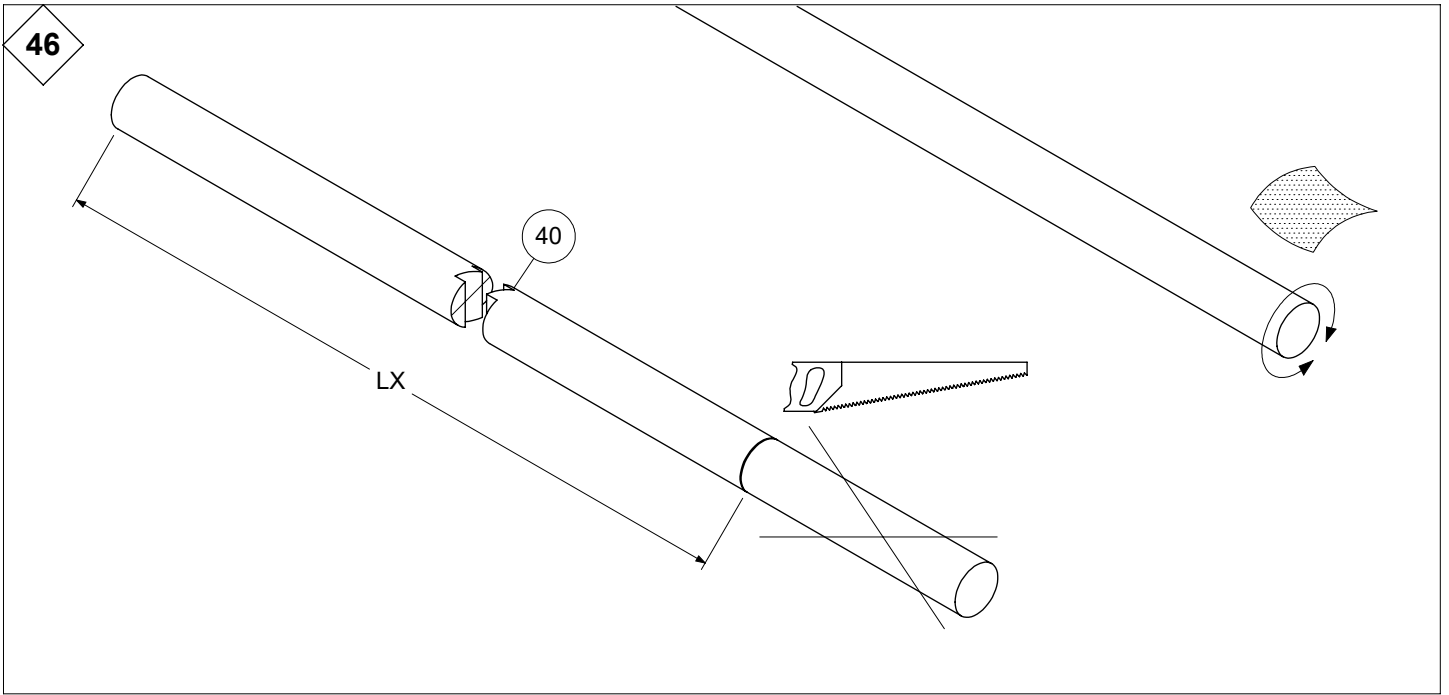
DUBAI 80

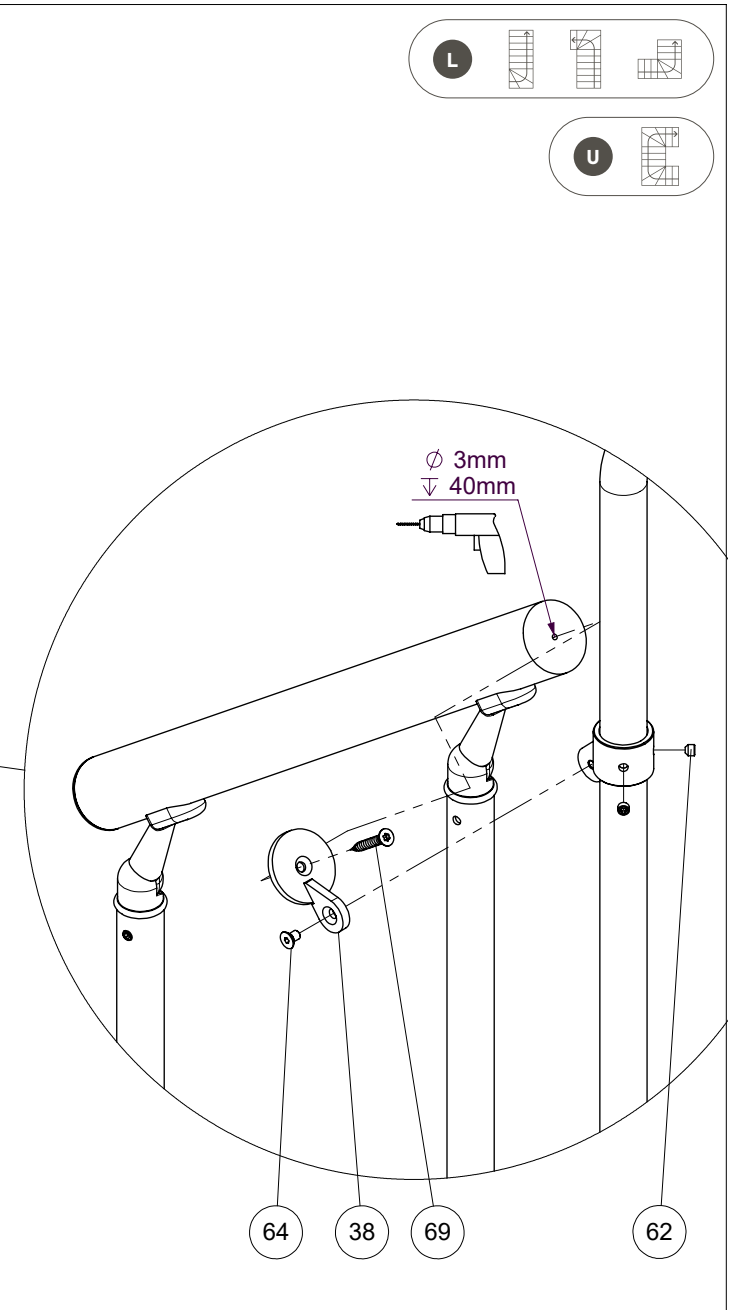
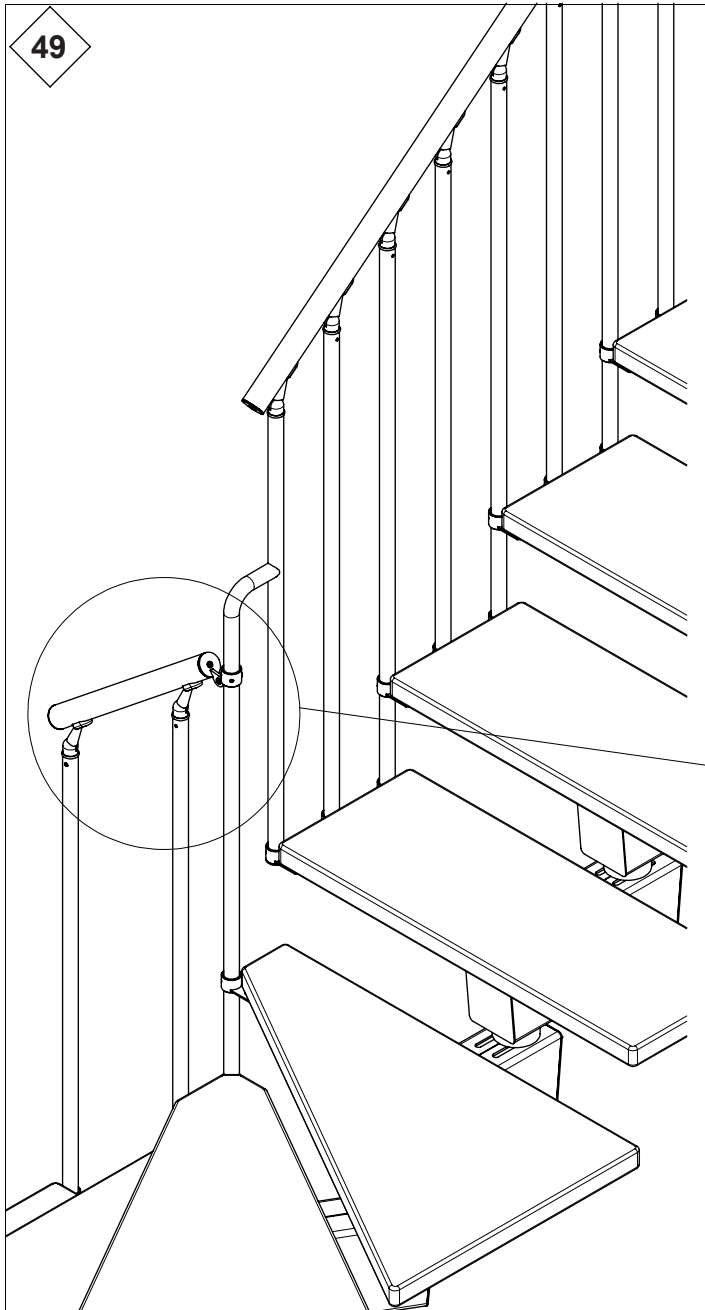
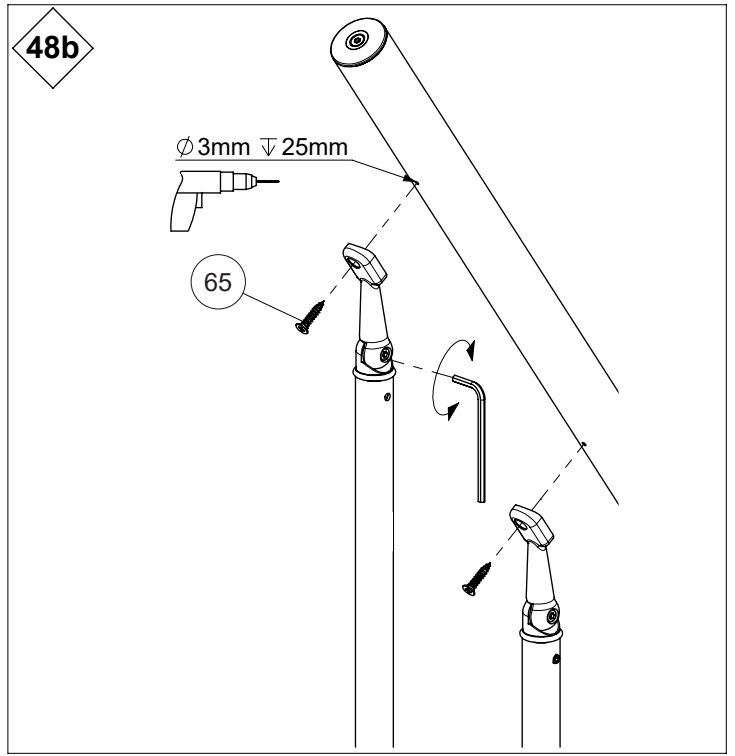
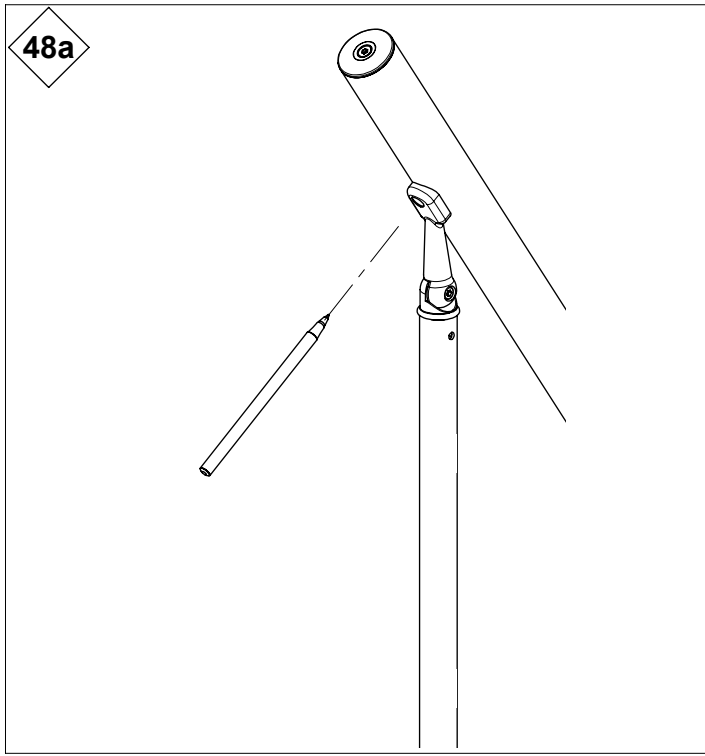
DUBAI 90

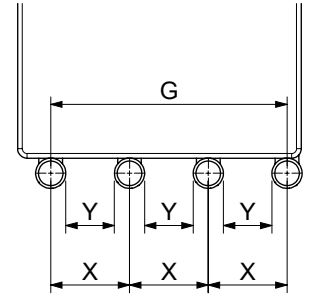
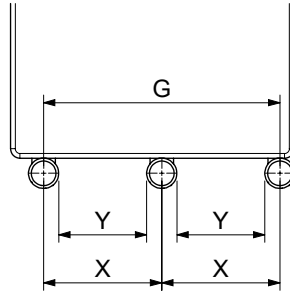
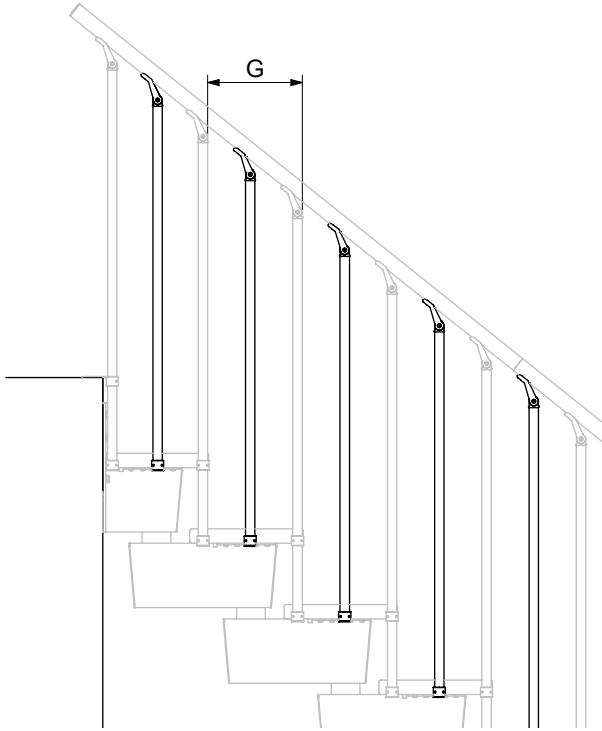












CLASSIC III		
G	220 mm	270 mm
X	110 mm	135 mm
Y	85 mm	110 mm

CLASSIC IIIII		
G	220 mm	270 mm
X	75 mm	90 mm
Y	48 mm	65 mm

