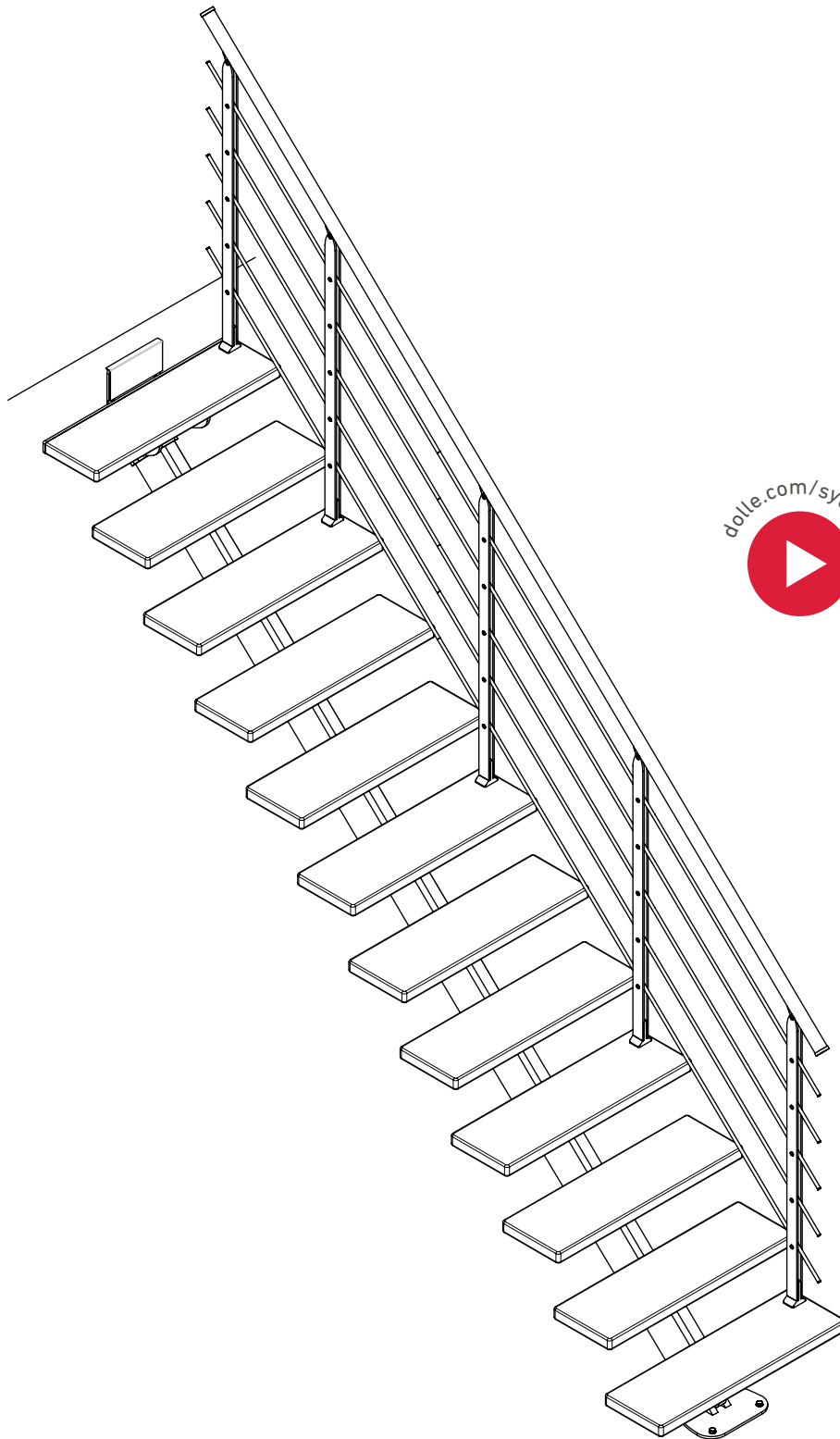


DOLLE[®]

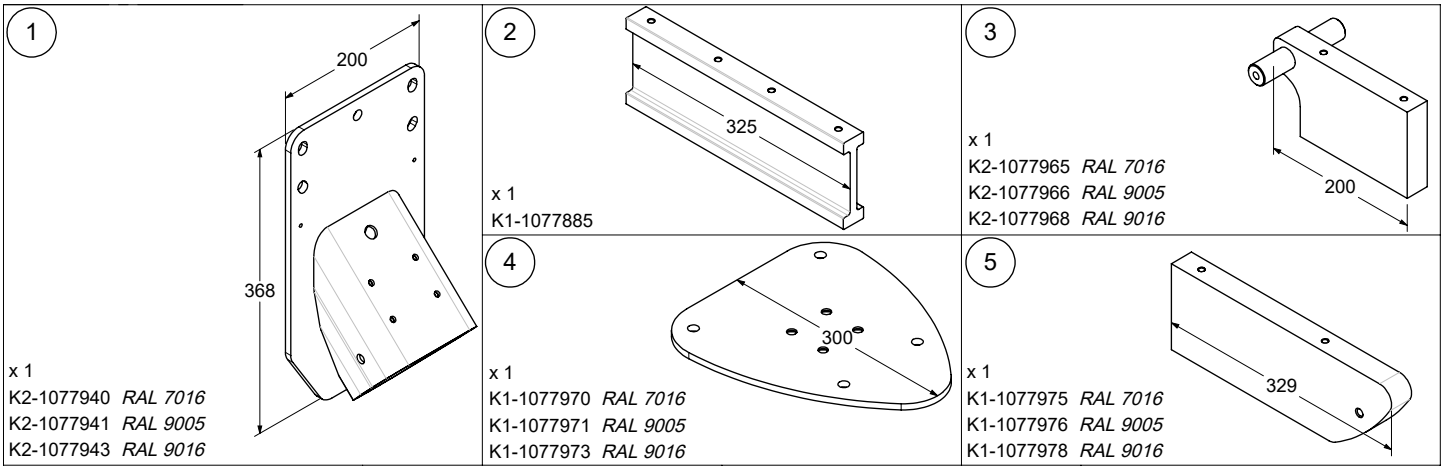


DESIGN BANISTER

SYDNEY

**INSTRUCTION / MONTAGEANLEITUNG
INSTRUKTION / INSTRUCCIÓN / INSTRUKCJA**

SO GEM[®]
PART OF DOLLE GROUP



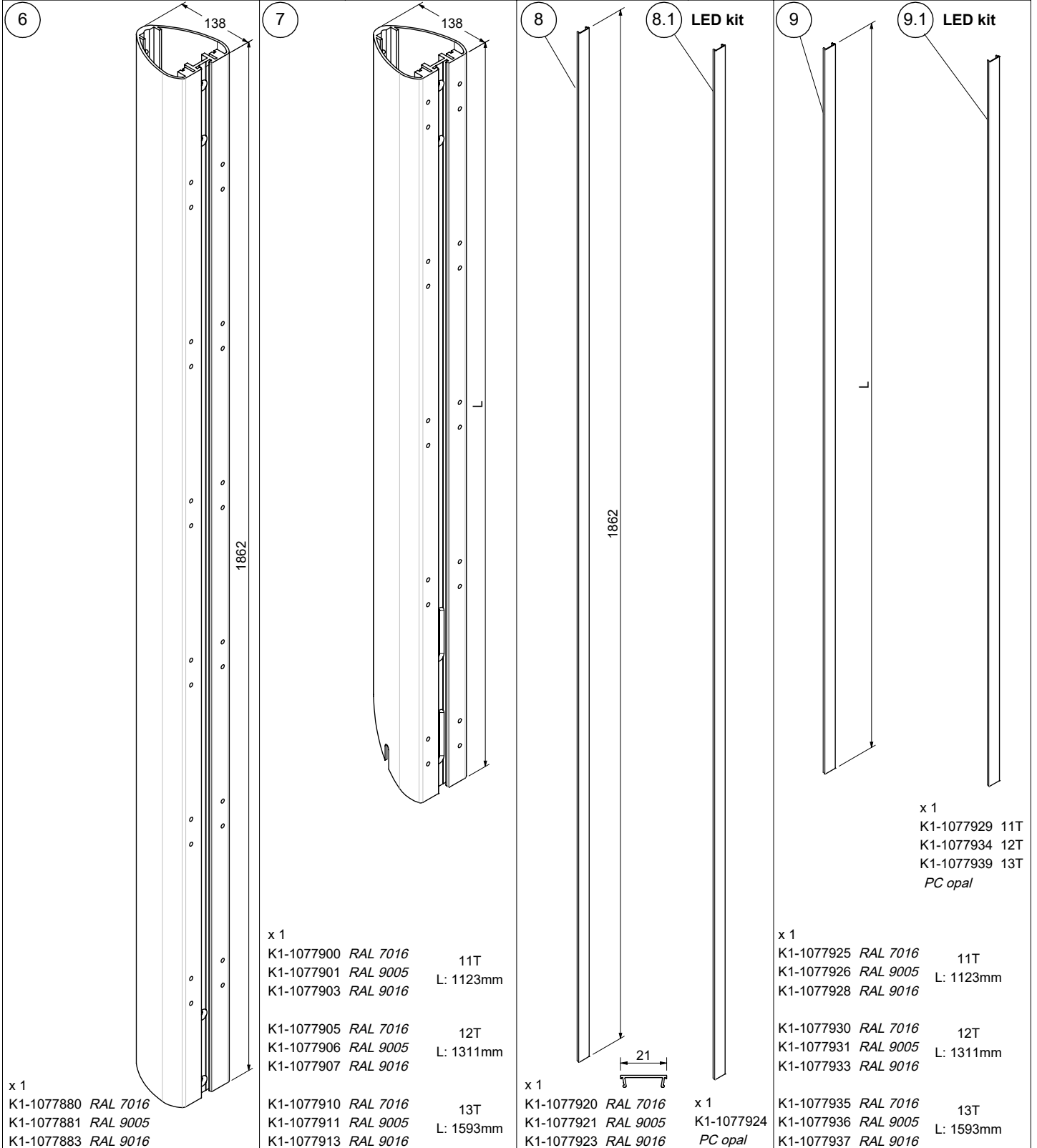
x 1
K2-1077940 RAL 7016
K2-1077941 RAL 9005
K2-1077943 RAL 9016

x 1
K1-1077885

x 1
K2-1077965 RAL 7016
K2-1077966 RAL 9005
K2-1077968 RAL 9016

x 1
K1-1077970 RAL 7016
K1-1077971 RAL 9005
K1-1077973 RAL 9016

x 1
K1-1077975 RAL 7016
K1-1077976 RAL 9005
K1-1077978 RAL 9016



x 1
K1-1077880 RAL 7016
K1-1077881 RAL 9005
K1-1077883 RAL 9016

x 1
K1-1077900 RAL 7016 11T
K1-1077901 RAL 9005 L: 1123mm
K1-1077903 RAL 9016

K1-1077905 RAL 7016 12T
K1-1077906 RAL 9005 L: 1311mm
K1-1077907 RAL 9016

K1-1077910 RAL 7016 13T
K1-1077911 RAL 9005 L: 1593mm
K1-1077913 RAL 9016

x 1
K1-1077920 RAL 7016
K1-1077921 RAL 9005
K1-1077923 RAL 9016



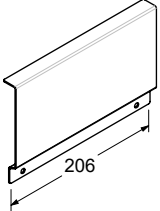


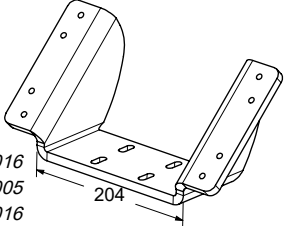
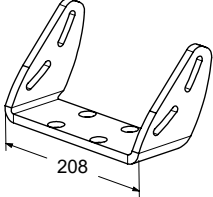
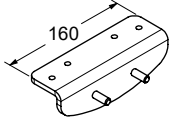
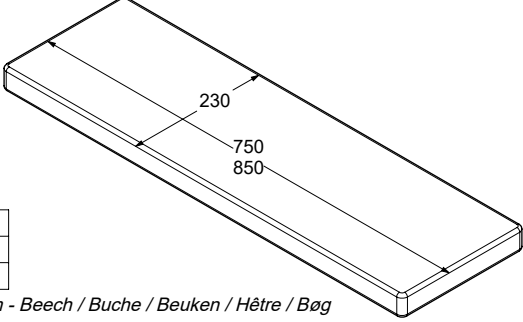
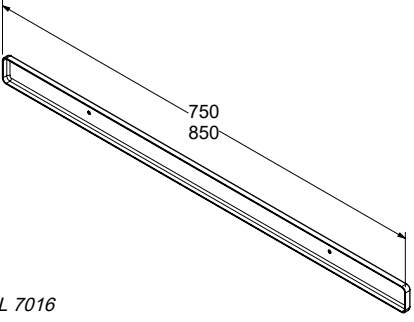
x 1
K1-1077924 PC opal

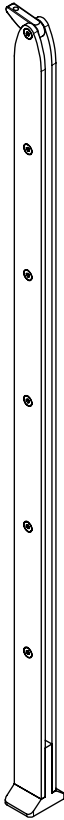
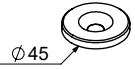
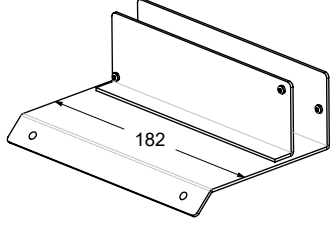
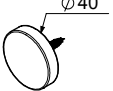
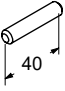
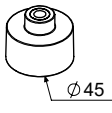
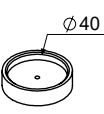
x 1
K1-1077925 RAL 7016 11T
K1-1077926 RAL 9005 L: 1123mm
K1-1077928 RAL 9016


K1-1077930 RAL 7016 12T
K1-1077931 RAL 9005 L: 1311mm
K1-1077933 RAL 9016

K1-1077935 RAL 7016 13T
K1-1077936 RAL 9005 L: 1593mm
K1-1077937 RAL 9016

x 1
K1-1077929 11T
K1-1077934 12T
K1-1077939 13T
PC opal

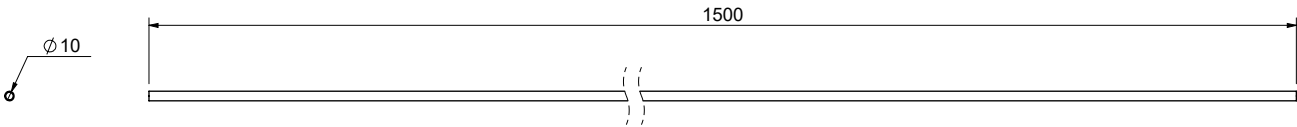
<p>10</p>  <p>x 1 K1-1077985 RAL 7016 K1-1077986 RAL 9005 K1-1077988 RAL 9016</p>	<p>11</p>  <p>x 1 K1-1077980 RAL 7016 K1-1077981 RAL 9005 K1-1077983 RAL 9016</p>	<p>12</p>  <p>x 1 K1-1077950 RAL 7016 K1-1077951 RAL 9005 K1-1077953 RAL 9016</p>	<p>13</p>  <p>x 1 K1-1077895 RAL 7016 K1-1077896 RAL 9005 K1-1077898 RAL 9016</p>	<p>14</p>  <p>x 1 K1-1077890 RAL 7016 K1-1077891 RAL 9005 K1-1077893 RAL 9016</p>														
<p>15</p>  <p>x 1 K1-1077945 RAL 7016 K1-1077946 RAL 9005 K1-1077948 RAL 9016</p>	<p>16</p> <table border="1" data-bbox="561 398 721 452"> <tr><td></td><td>11</td><td>12</td><td>13</td></tr> <tr><td>x</td><td>10</td><td>11</td><td>12</td></tr> </table> <p>K1-1077990 RAL 7016 K1-1077991 RAL 9005 K1-1077993 RAL 9016</p> 		11	12	13	x	10	11	12	<p>17</p> <table border="1" data-bbox="1040 398 1200 452"> <tr><td></td><td>11</td><td>12</td><td>13</td></tr> <tr><td>x</td><td>20</td><td>22</td><td>24</td></tr> </table> <p>K2-1077995 RAL 7016 K2-1077996 RAL 9005 K2-1077998 RAL 9016</p> 		11	12	13	x	20	22	24
	11	12	13															
x	10	11	12															
	11	12	13															
x	20	22	24															
<p>18</p>  <table border="1" data-bbox="76 750 263 833"> <tr><td></td><td>11</td><td>12</td><td>13</td></tr> <tr><td>I</td><td>11</td><td>12</td><td>13</td></tr> <tr><td>L</td><td>9</td><td>10</td><td>11</td></tr> </table> <p>M2-1078601 750mm - Beech / Buche / Beuken / Hêtre / Bøg M2-1078611 750mm - Oak / Eiche / Bijv / Chêne / Eg M2-1078621 750mm - Oak white / Eiche weiß / Bijv wt / Chêne blanc / Eg hvid M2-1078651 850mm - Beech / Buche / Beuken / Hêtre / Bøg M2-1078661 850mm - Oak / Eiche / Bijv / Chêne / Eg M2-1078671 850mm - Oak white / Eiche weiß / Bijv wt / Chêne blanc / Eg hvid</p>			11	12	13	I	11	12	13	L	9	10	11	<p>19</p>  <p>x 1 K1-1077955 750mm - RAL 7016 K1-1077956 750mm - RAL 9005 K1-1077958 750mm - RAL 9016 K1-1077960 850mm - RAL 7016 K1-1077961 850mm - RAL 9005 K1-1077963 850mm - RAL 9016</p>				
	11	12	13															
I	11	12	13															
L	9	10	11															

<p>20</p>  <p>x 5 K2-1077710 RAL 7016 K2-1077711 RAL 9005 K2-1077713 RAL 9016</p>	<p>21</p>  <p>Ø45</p> <p>x 5 K1-1077203</p>	<p>32</p>  <p>182</p> <p>x 1 K2-1078000 RAL 7016 K2-1078001 RAL 9005 K2-1078003 RAL 9006</p>	
	<p>22</p>  <p>Ø40</p> <p>x 2 K1-1077720</p>	<p>29</p>  <p>40</p> <p>x 4 R3-91415</p>	<p>30</p>  <p>Ø45</p> <p>x 1 K1-01810</p> <p>31</p>  <p>Ø40</p> <p>x 1 K1-01620</p>

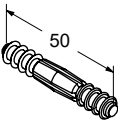
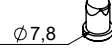

33  $\varnothing 40$ 1500





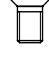
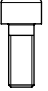
x 3
M2-1078905 *Beech / Buche / Beuken / Hêter / Bøg*
M2-1078915 *Oak / Eiche / Bijv / Chêne / Eg*
M2-1078925 *Oak white / Eiche weiß / Bijv wit / Chêne blanc / Eg hvid*

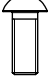





	11	12	13
X	3	3	3
	2	2	3







34  $\varnothing 10$ 1500

x 15
K1-18049

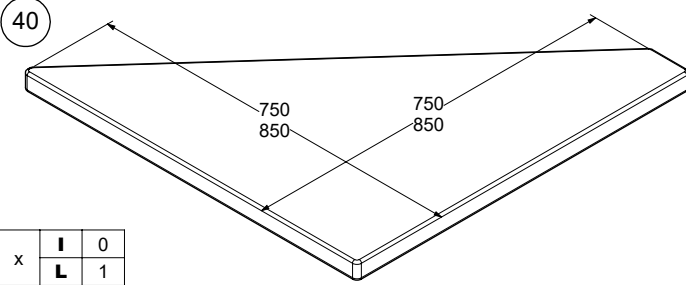
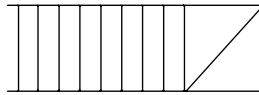
<p>35  50</p> <p>x 10 K3-08023</p>	<p>36  $\varnothing 7,8$</p> <p>x 10 K1-18099</p>	<p>37 </p> <p>x 5 K3-02097 M10 x 70</p>
---	---	---

<p>50 </p> <p>x 9 K3-08001 $\varnothing 12 \times 60$</p>	<p>51 </p> <p>x 11 K3-04001 $\varnothing 10$</p>	<p>52 </p> <p>x 9 K3-06003 $\varnothing 10 \times 60$</p>	<p>53 </p> <p>x 15 K3-02136 M8 x 20</p>	<p>54 </p> <p>x 4 K3-02137 M10 x 20</p>	<p>55 </p> <p>x 2 K3-02205 M10 x 25</p>
---	--	---	---	--	--

<p>56 </p> <p>x 2 K3-02258 M10 x 25</p>	<p>57 </p> <p>x 2 K3-02041 M5 x 8</p>	<p>58  $\varnothing 21\text{mm}$</p> <p>x 4 K1-01027 RAL 7016 K1-01018 RAL 9005 K1-01007 RAL 9016</p>	<p>59 </p> <table border="1" data-bbox="801 1137 960 1191"> <tr> <td></td> <td>11</td> <td>12</td> <td>13</td> </tr> <tr> <td>x</td> <td>44</td> <td>48</td> <td>52</td> </tr> </table> <p>K3-04150 $\varnothing 8 / \varnothing 16$</p>		11	12	13	x	44	48	52	<p>60 </p> <table border="1" data-bbox="1040 1137 1200 1191"> <tr> <td></td> <td>11</td> <td>12</td> <td>13</td> </tr> <tr> <td>x</td> <td>40</td> <td>44</td> <td>48</td> </tr> </table> <p>K3-03011 M8</p>		11	12	13	x	40	44	48	<p>61 </p> <p>x 4 K3-02267 M8 x 25</p>
	11	12	13																		
x	44	48	52																		
	11	12	13																		
x	40	44	48																		

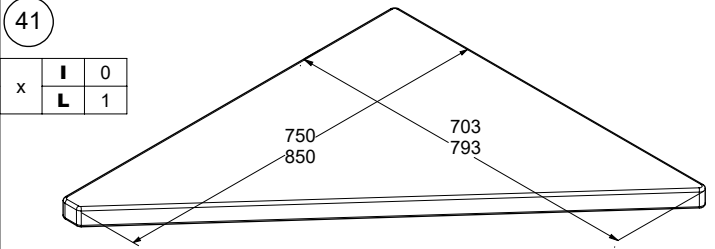
<p>62 </p> <table border="1" data-bbox="76 1361 242 1415"> <tr> <td></td> <td>11</td> <td>12</td> <td>13</td> </tr> <tr> <td>x</td> <td>40</td> <td>44</td> <td>48</td> </tr> </table> <p>K3-02138 M8 x 35</p>		11	12	13	x	40	44	48	<p>63 </p> <p>x 2 K3-06013 $\varnothing 4 \times 20$</p>	<p>64 </p> <table border="1" data-bbox="561 1361 721 1415"> <tr> <td></td> <td>11</td> <td>12</td> <td>13</td> </tr> <tr> <td>x</td> <td>88</td> <td>96</td> <td>104</td> </tr> </table> <p>K3-06128 $\varnothing 6 \times 35$</p>		11	12	13	x	88	96	104	<p>65 </p> <p>x 5 K3-06239 $\varnothing 4,5 \times 25$</p>	<p>90 </p> <p>Wood glue Holzkleber Colle à bois Trælim Houtlijm</p> <p>x 1 K3-90005</p>	<p>91 </p> <p>Strong glue Superkleber Seconde lijm Colle forte Superlim</p> <p>x 1 K7-71999</p>
	11	12	13																		
x	40	44	48																		
	11	12	13																		
x	88	96	104																		

1077860 RAL 7016
 1077870 RAL 9005
 1077890 RAL 9016



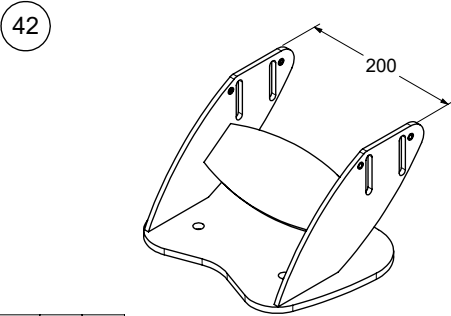
x	I	0
	L	1

M2-1078609 750mm - Beech / Buche / Beuken / Hêtre / Bøg
 M2-1078619 750mm - Oak / Eiche / Bijv / Chêne / Eg
 M2-1078629 750mm - Oak white / Eiche weiß / Bijv wt / Chêne blanc / Eg hvid
 M2-1078659 850mm - Beech / Buche / Beuken / Hêtre / Bøg
 M2-1078669 850mm - Oak / Eiche / Bijv / Chêne / Eg
 M2-1078679 850mm - Oak white / Eiche weiß / Bijv wt / Chêne blanc / Eg hvid



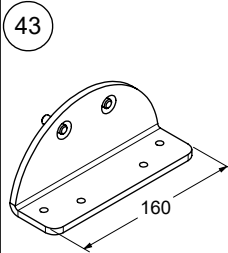
x	I	0
	L	1

M2-1078608 750mm - Beech / Buche / Beuken / Hêtre / Bøg
 M2-1078618 750mm - Oak / Eiche / Bijv / Chêne / Eg
 M2-1078628 750mm - Oak white / Eiche weiß / Bijv wt / Chêne blanc / Eg hvid
 M2-1078658 850mm - Beech / Buche / Beuken / Hêtre / Bøg
 M2-1078668 850mm - Oak / Eiche / Bijv / Chêne / Eg
 M2-1078678 850mm - Oak white / Eiche weiß / Bijv wt / Chêne blanc / Eg hvid



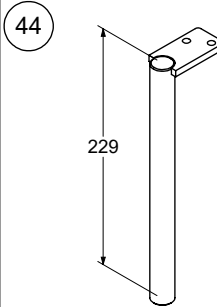
x	I	0
	L	1

K2-1078030 RAL 7016
 K2-1078031 RAL 9005
 K2-1078033 RAL 9016



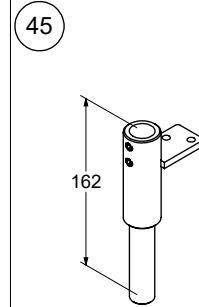
x	I	0
	L	2

K2-1078035 RAL 7016
 K2-1078036 RAL 9005
 K2-1078038 RAL 9016



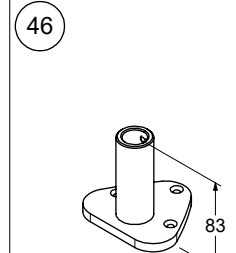
x	I	0
	L	1

K2-1078060 RAL 7016
 K2-1078061 RAL 9005
 K2-1078063 RAL 9016



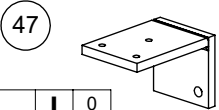
x	I	0
	L	1

K2-1078055 RAL 7016
 K2-1078056 RAL 9005
 K2-1078058 RAL 9016



x	I	0
	L	1

K2-1078050 RAL 7016
 K2-1078051 RAL 9005
 K2-1078053 RAL 9016



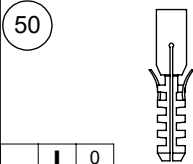
x	I	0
	L	2

K1-1077295 RAL 7016
 K1-1077296 RAL 9005
 K1-1077298 RAL 9016



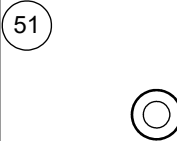
x	I	0
	L	4

K3-09800 RAL 7016
 K3-09801 RAL 9005
 K3-09803 RAL 9016



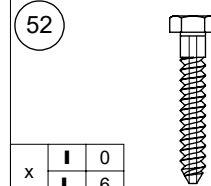
x	I	0
	L	6

K3-08001 Ø12 x 60



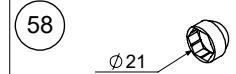
x	I	0
	L	6

K3-04001 Ø10



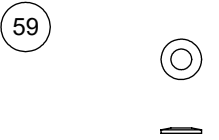
x	I	0
	L	6

K3-06003 Ø10 x 60



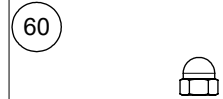
x	I	0
	L	2

K1-01027 RAL 7016
 K1-01018 RAL 9005
 K1-01007 RAL 9016



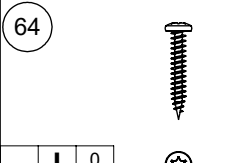
x	I	0
	L	4

K3-04150 Ø8 / Ø16



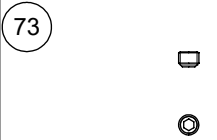
x	I	0
	L	4

K3-03011 M8



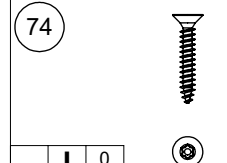
x	I	0
	L	18

K3-06128 Ø6 x 35 - TX30



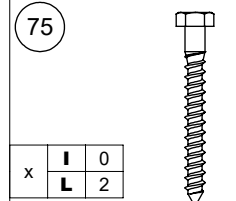
x	I	0
	L	4

K3-05062 M8 x 6



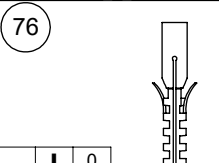
x	I	0
	L	18

K3-06135 Ø6 x 35 - TX30



x	I	0
	L	2

K3-06015 Ø8 x 70



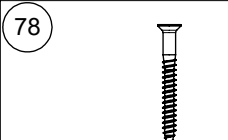
x	I	0
	L	2

K3-08004 Ø10 x 60



x	I	0
	L	3

K3-08006 Ø6 x 30



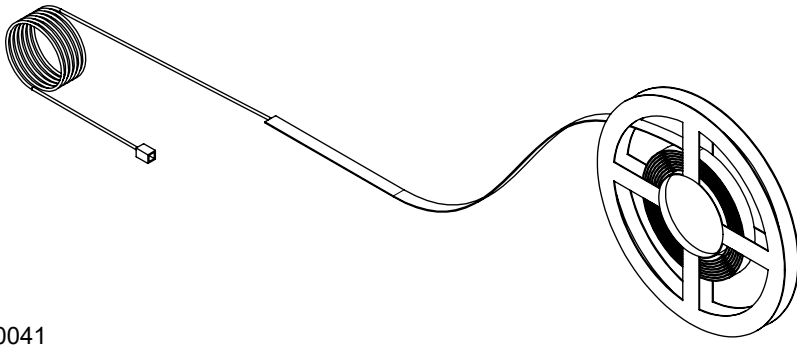
x	I	0
	L	3

K3-06005 Ø5 x 50

OPTION

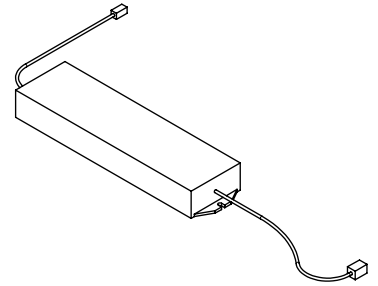
1077899-0100 LED kit

100



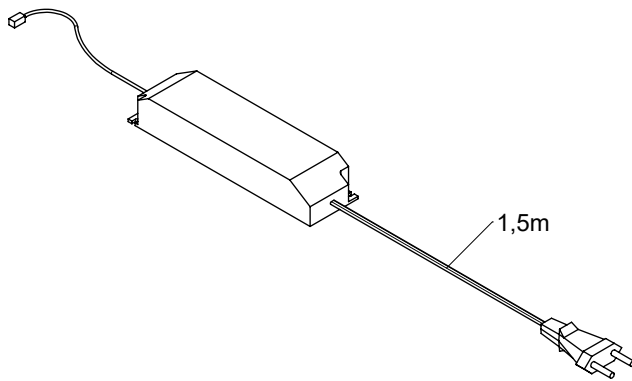
x 1
640041
LED strip

101



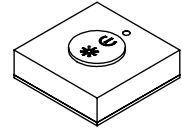
x 1
22742
RF LED dimmer

102



x 1
600245
LED driver

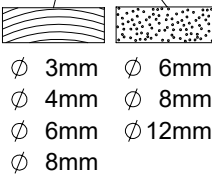
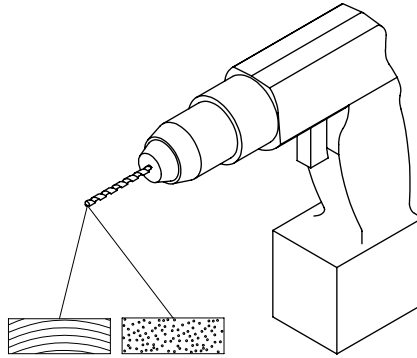
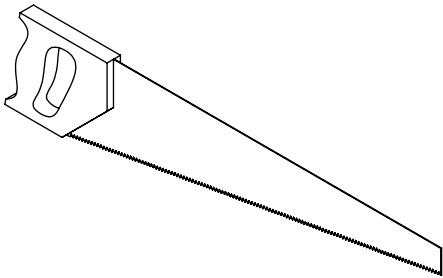
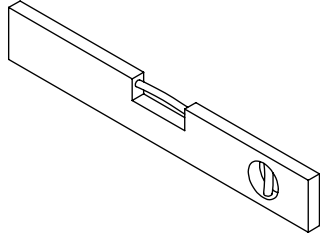
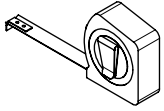
103



x 1
20222
Remote control



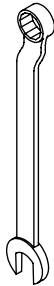
Tools not included!
Werkzeuge nicht enthalten!
Gereedschap niet inbegrepen!
Outils non inclus!
Værktøj ikke inkluderet!



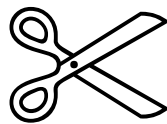
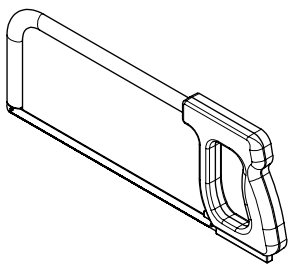
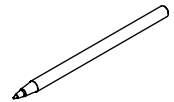
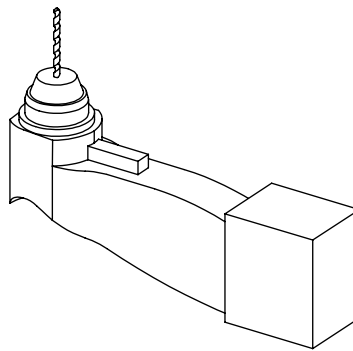
TX25
TX30
PZ2



3 mm
5 mm
6 mm
8 mm



13mm
16mm
17mm

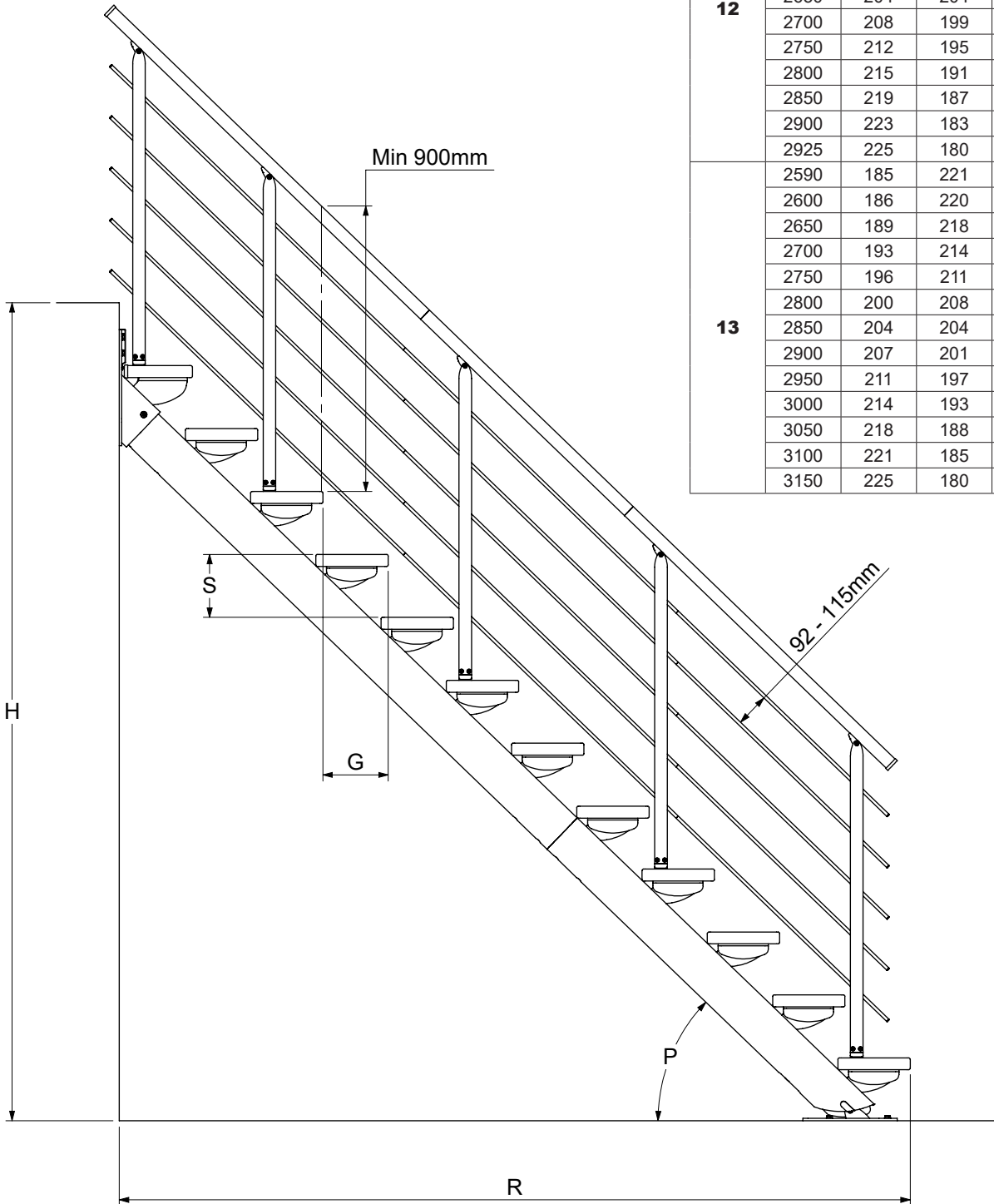




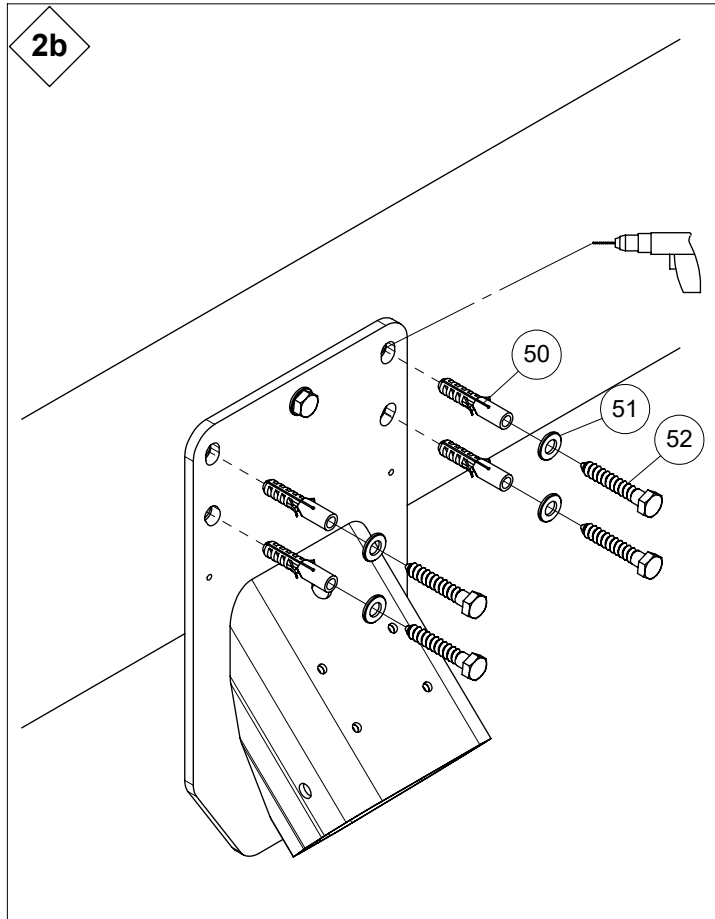
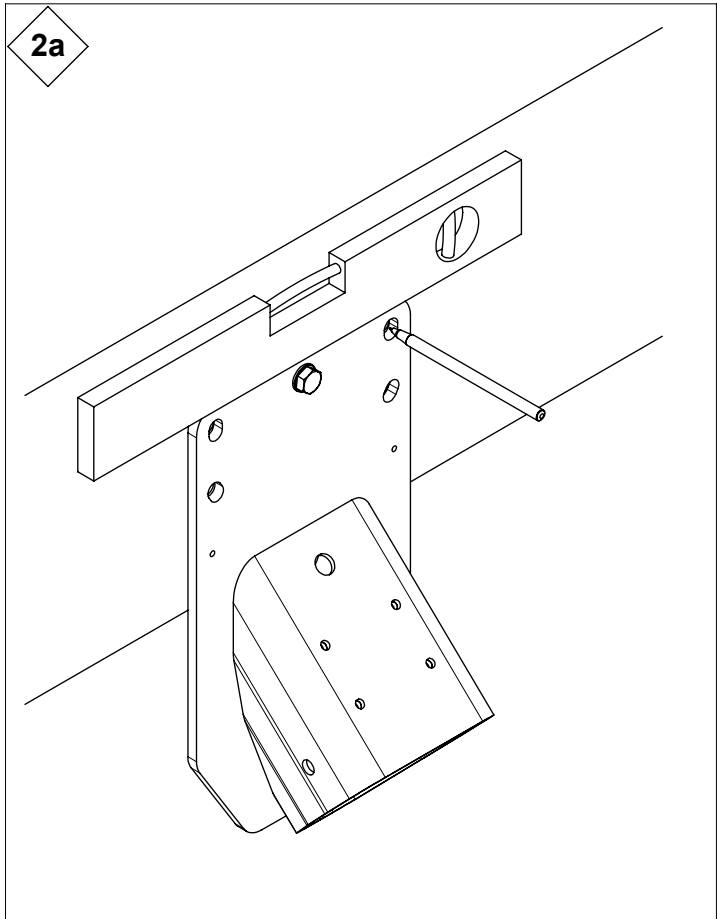
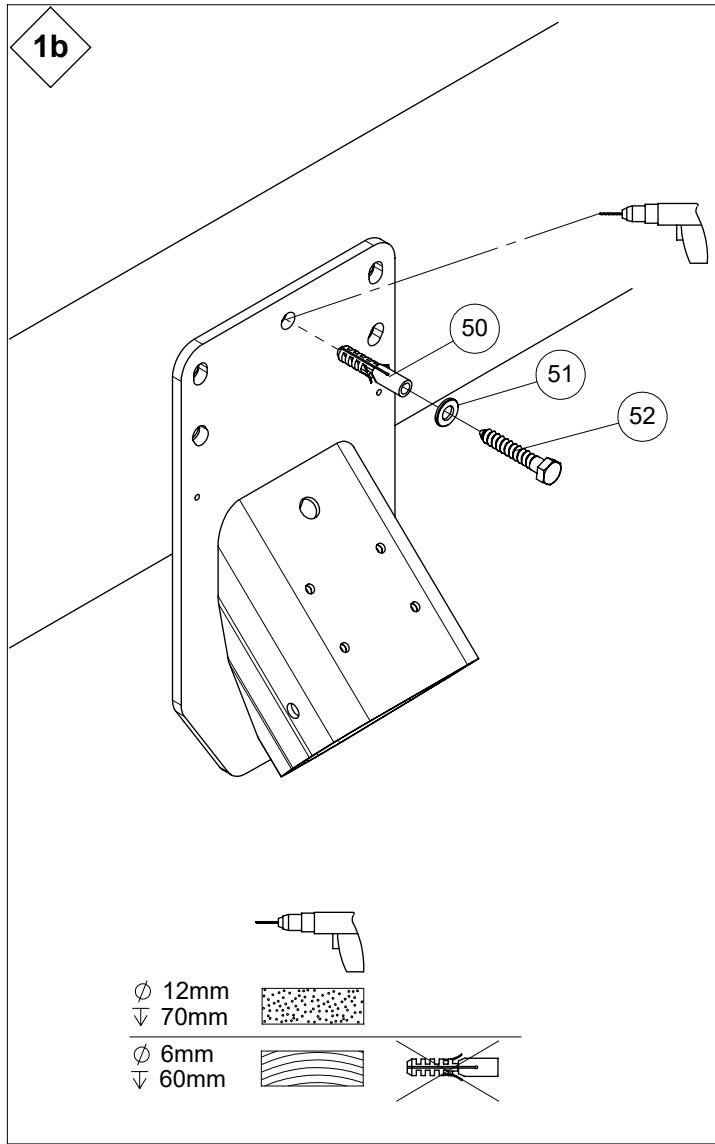
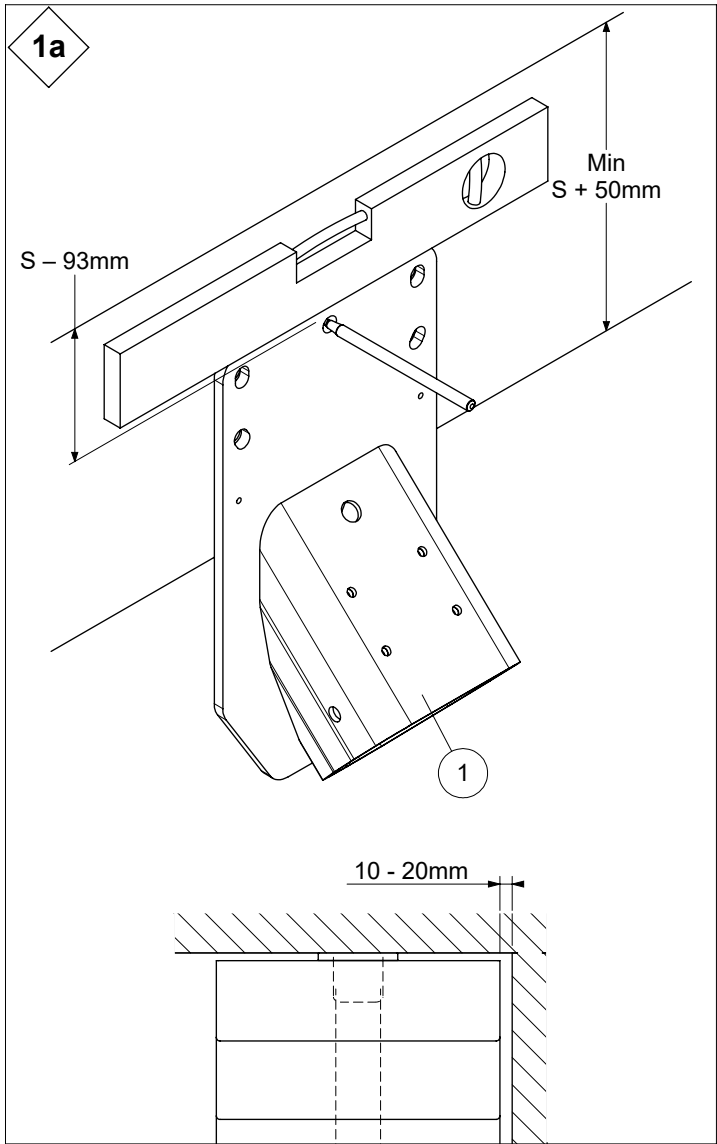
$$S = \frac{H}{T + 1}$$

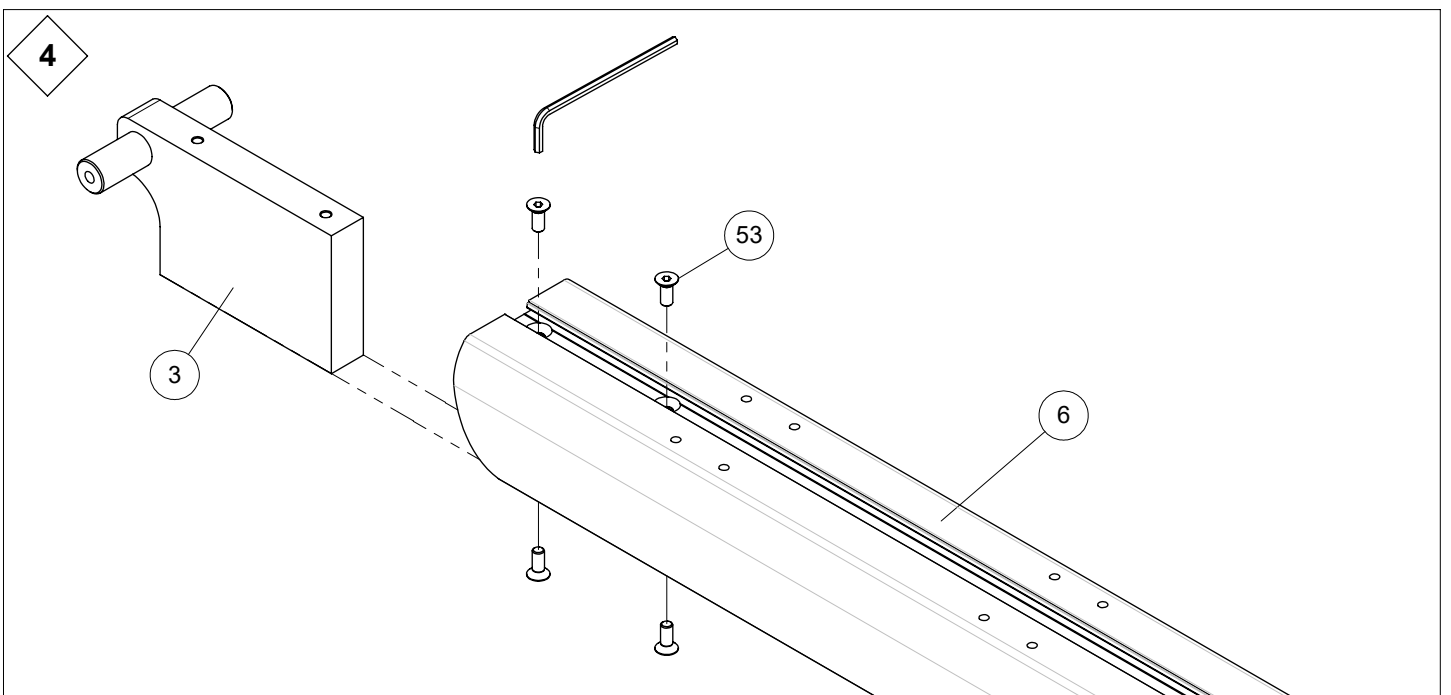
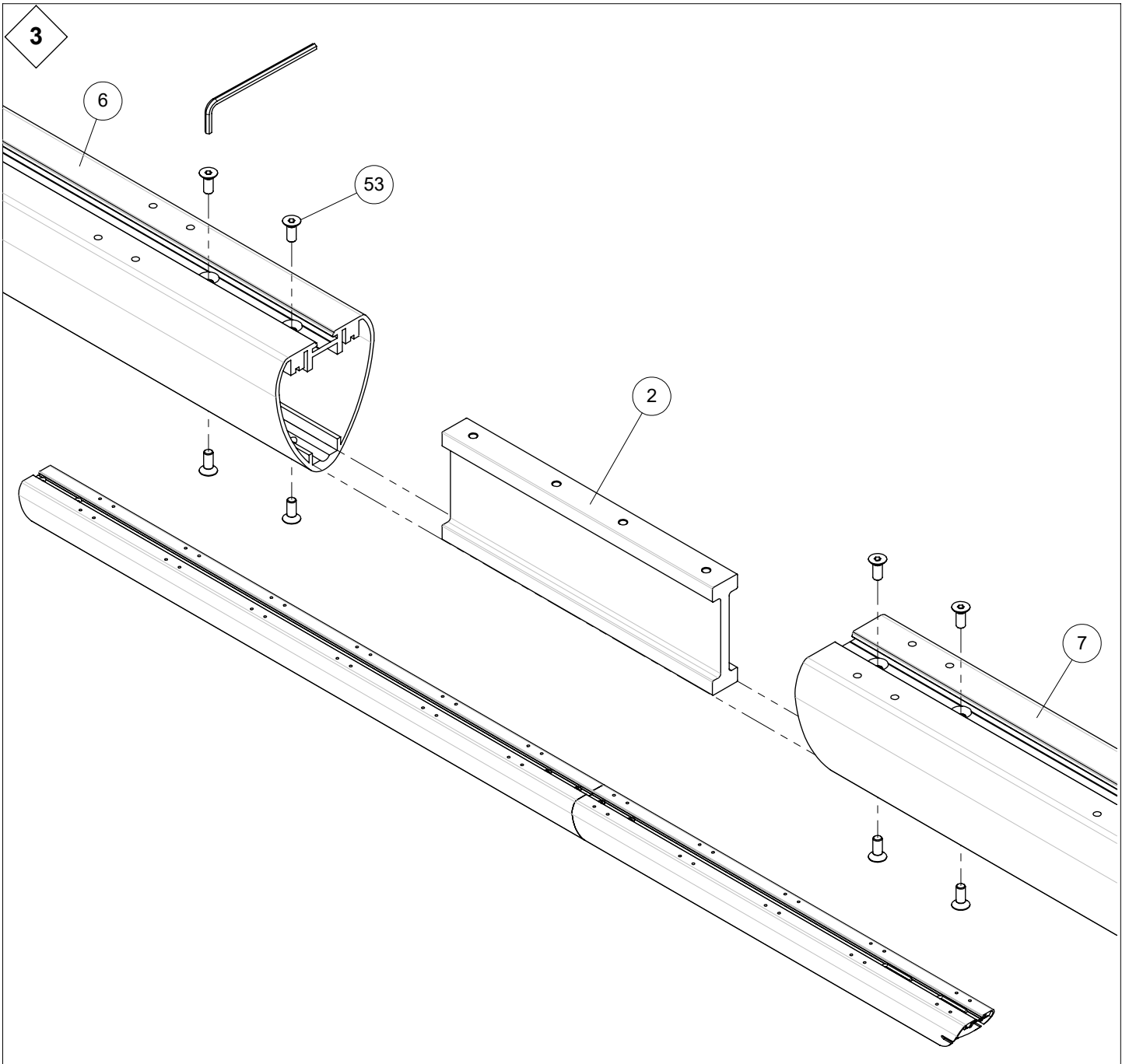
H = 2600 mm, T = 12

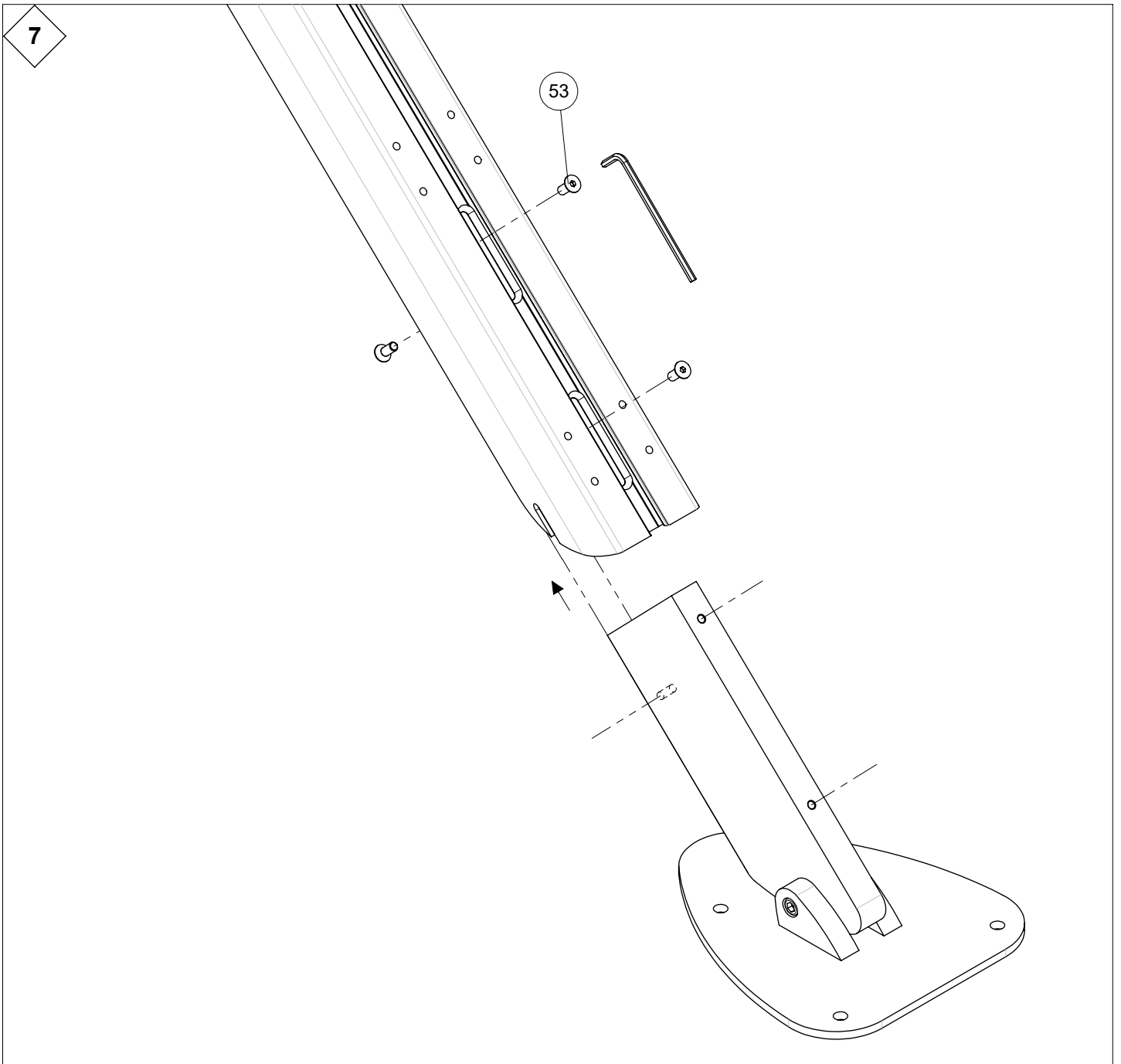
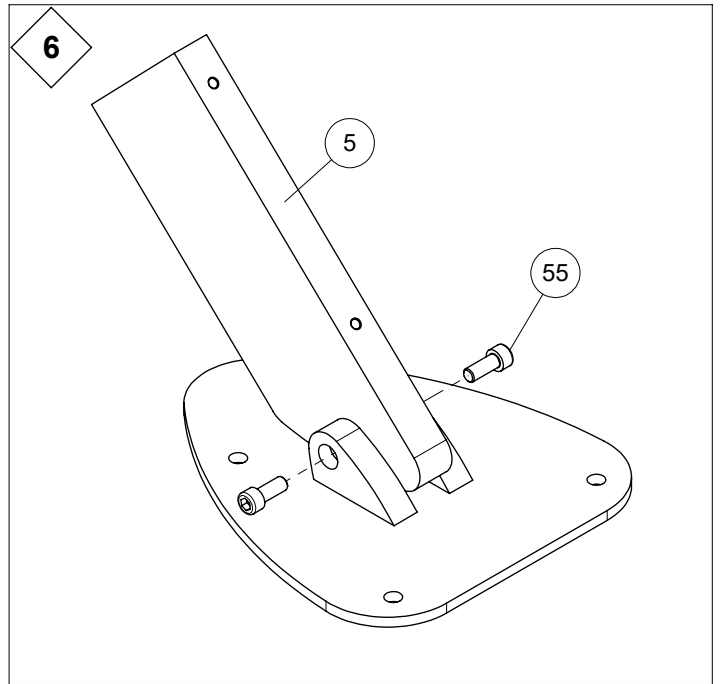
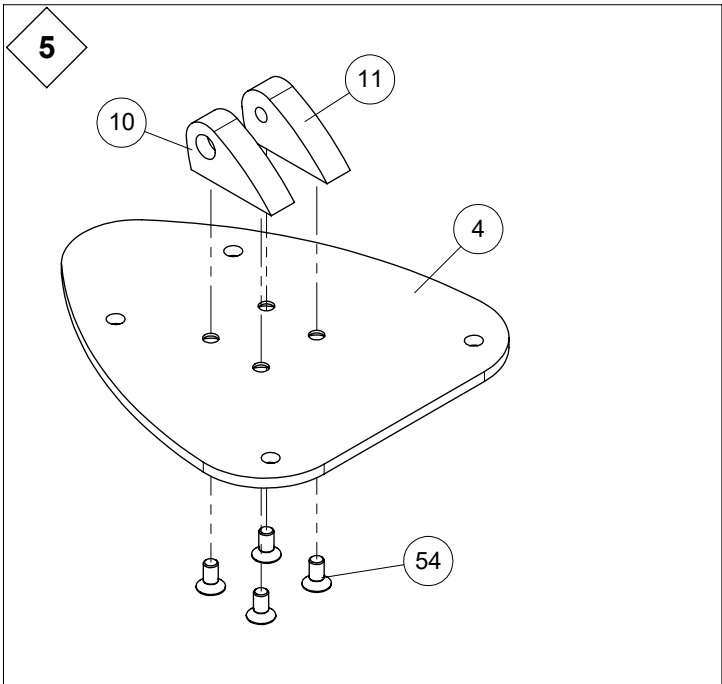
$$S = \frac{2600 \text{ mm}}{12 + 1} = 200 \text{ mm}$$



T	H mm	S mm	G mm	P °	R mm
11	2220	185	221	40,0	2427
	2250	188	219	40,6	2406
	2300	192	215	41,6	2374
	2350	196	211	42,6	2341
	2400	200	208	43,7	2309
	2450	204	204	44,7	2274
	2500	208	199	45,8	2236
	2550	213	194	46,9	2189
	2600	217	189	48,0	2148
	2650	221	185	48,8	2107
	2700	225	180	50,2	2063
12	2405	185	221	40,0	2648
	2450	188	219	40,9	2625
	2500	192	215	41,8	2589
	2550	192	211	42,7	2552
	2600	200	208	43,7	2517
	2650	204	204	44,6	2478
	2700	208	199	45,8	2435
	2750	212	195	46,6	2393
	2800	215	191	47,6	2358
	2850	219	187	48,7	2315
	2900	223	183	49,7	2269
2925	225	180	50,2	2243	
13	2590	185	221	40,0	2869
	2600	186	220	40,2	2860
	2650	189	218	41,1	2834
	2700	193	214	41,9	2794
	2750	196	211	42,8	2763
	2800	200	208	43,7	2725
	2850	204	204	44,6	2682
	2900	207	201	45,5	2649
	2950	211	197	46,4	2604
	3000	214	193	47,3	2565
	3050	218	188	48,3	2514
3100	221	185	49,3	2477	
3150	225	180	50,2	2423	









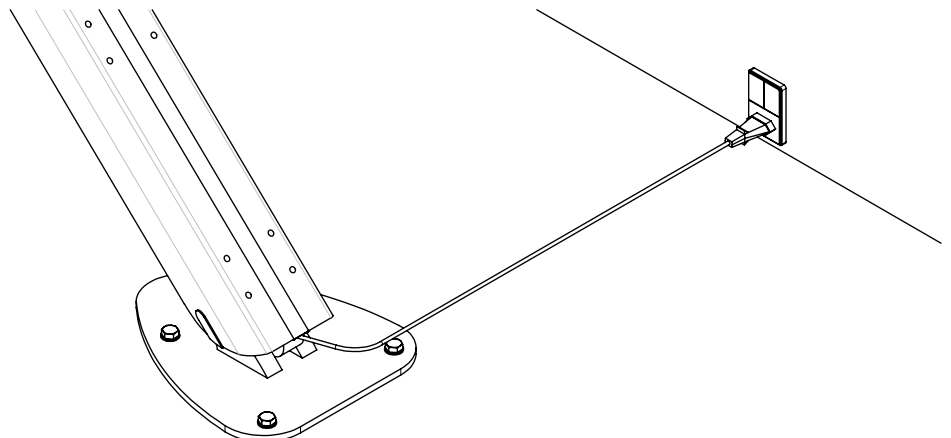
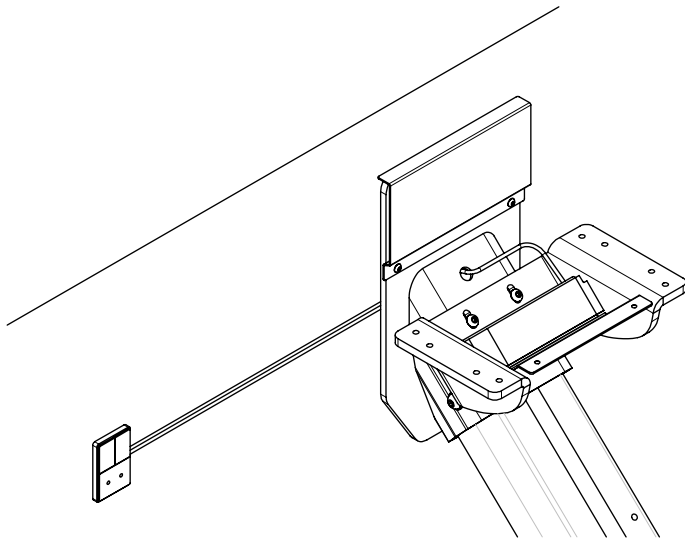
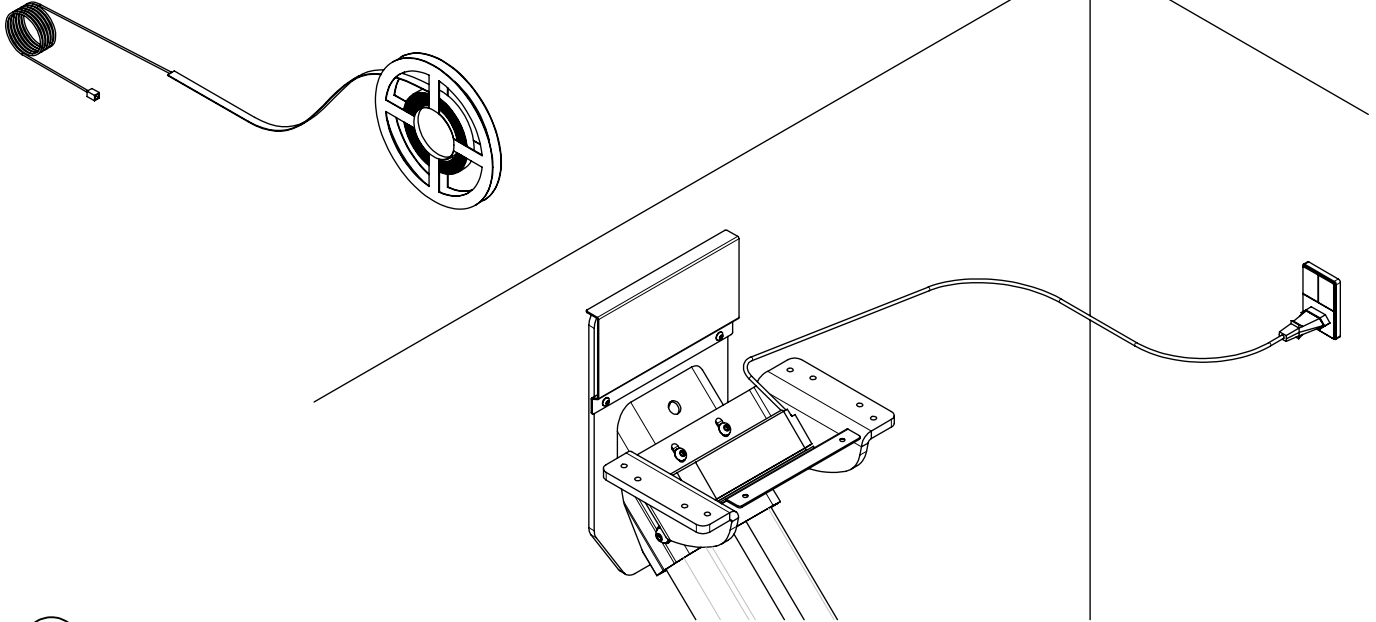
LED kit

8

11

8

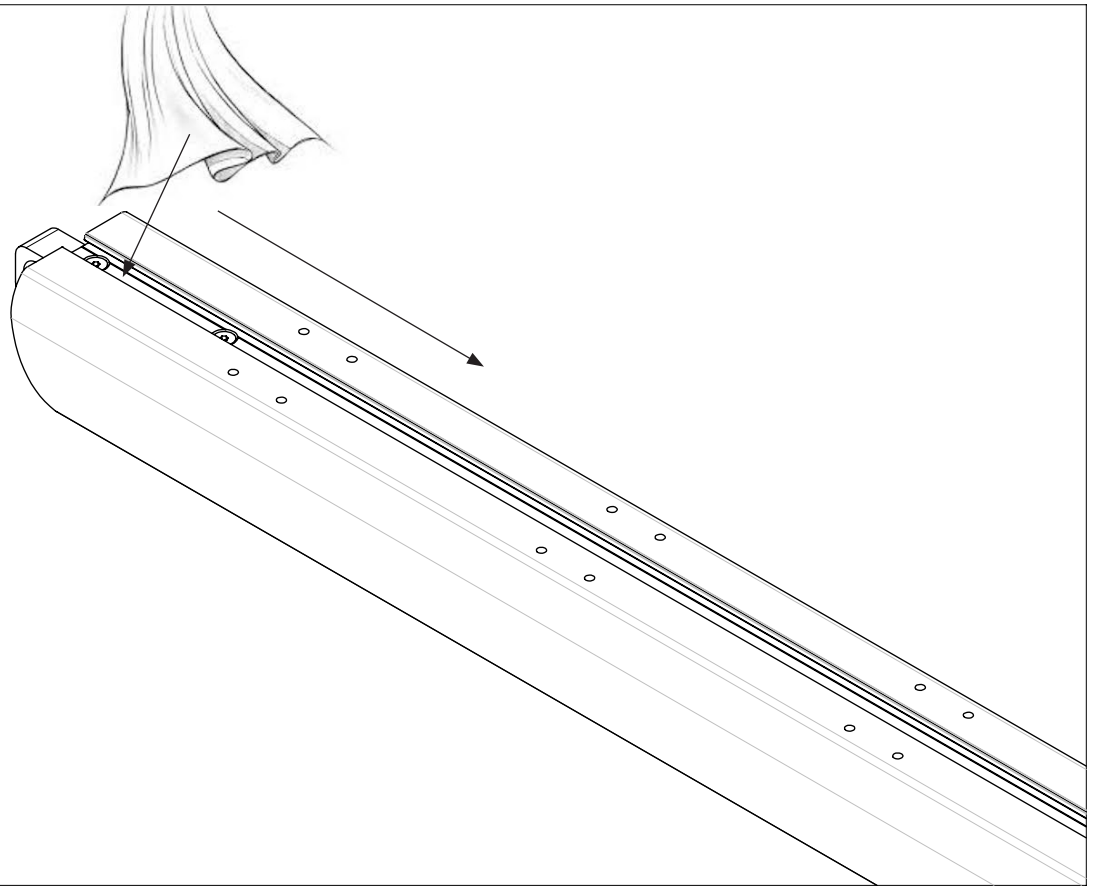
OPTION LED kit



9

OPTION

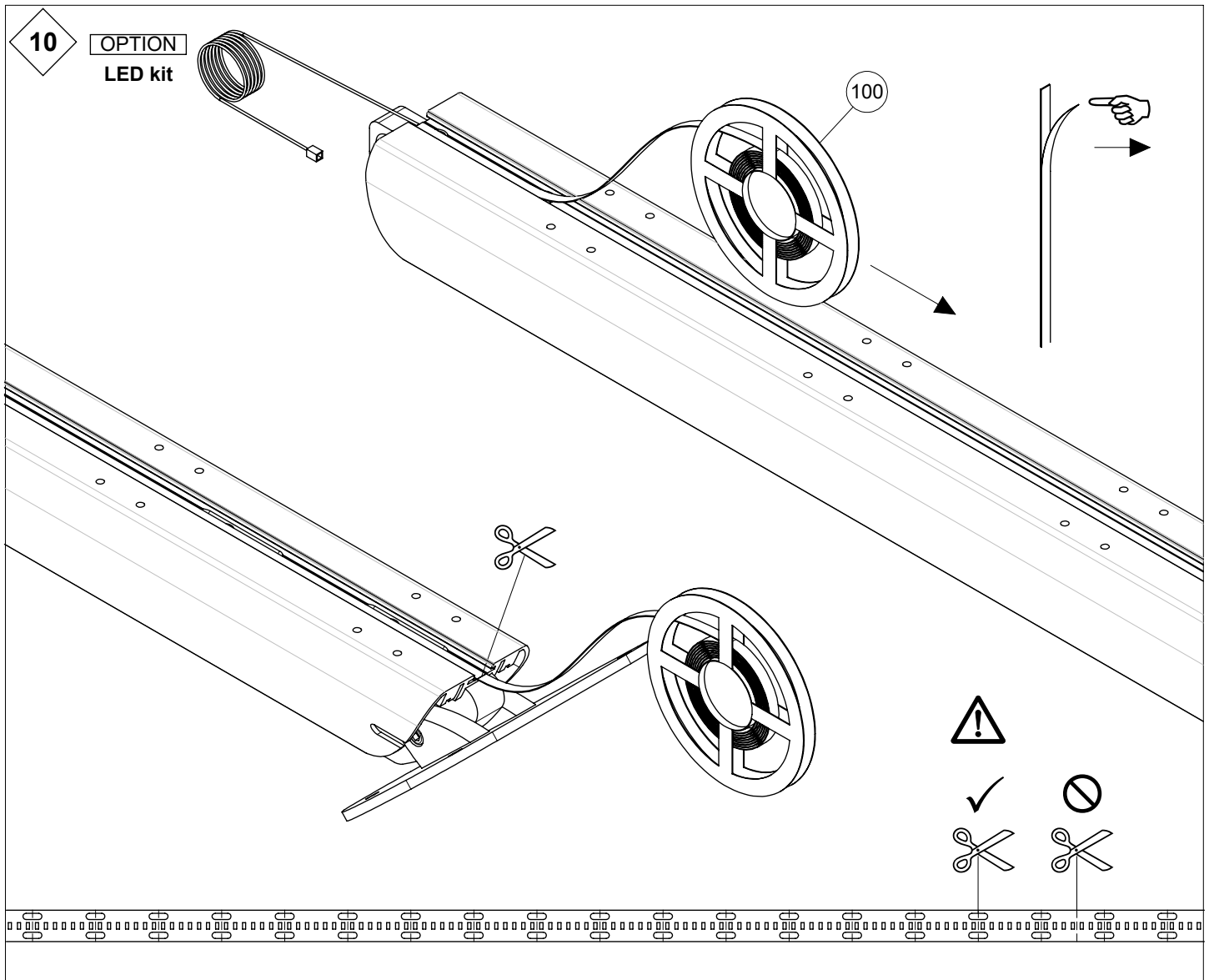
LED kit

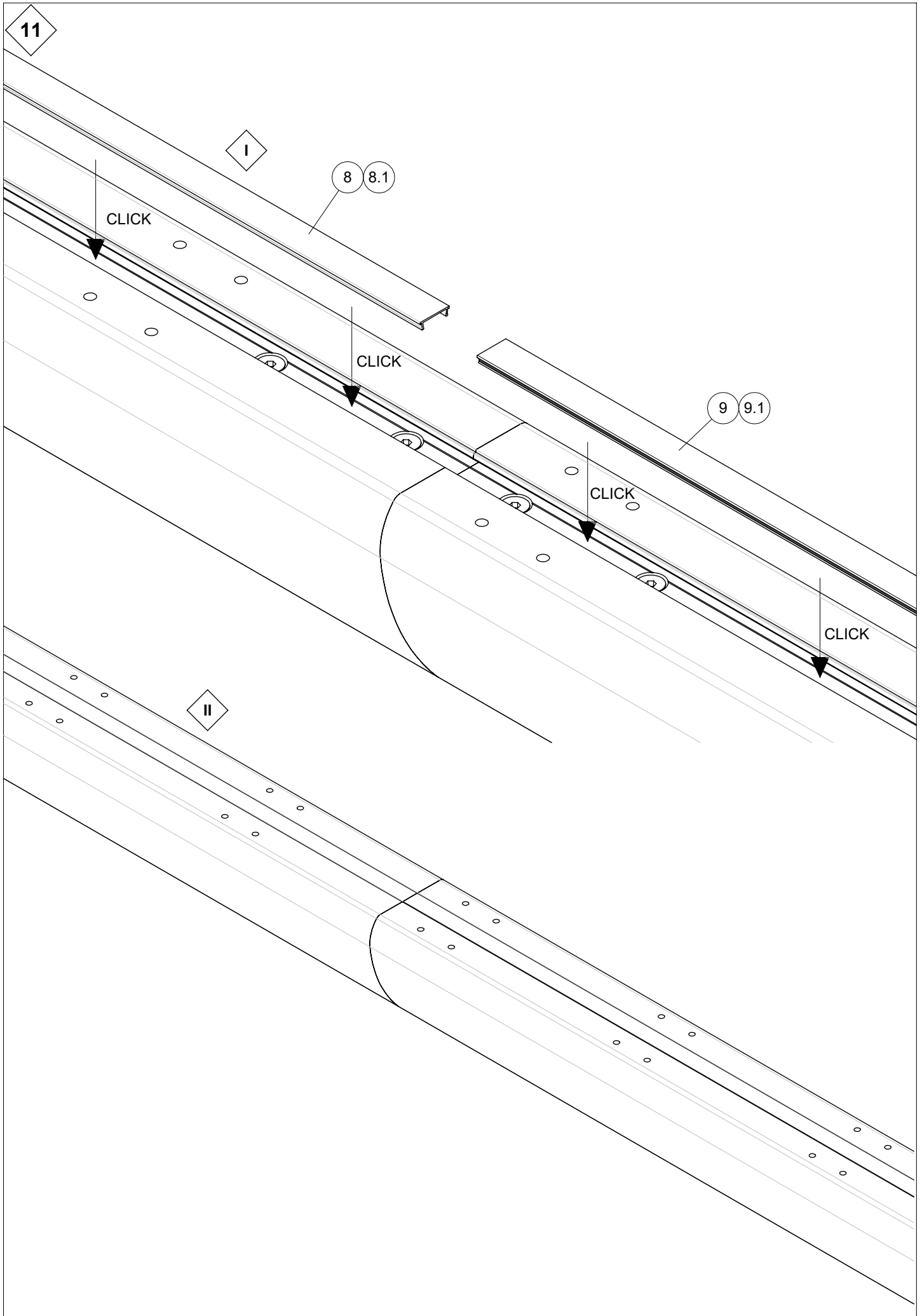


10

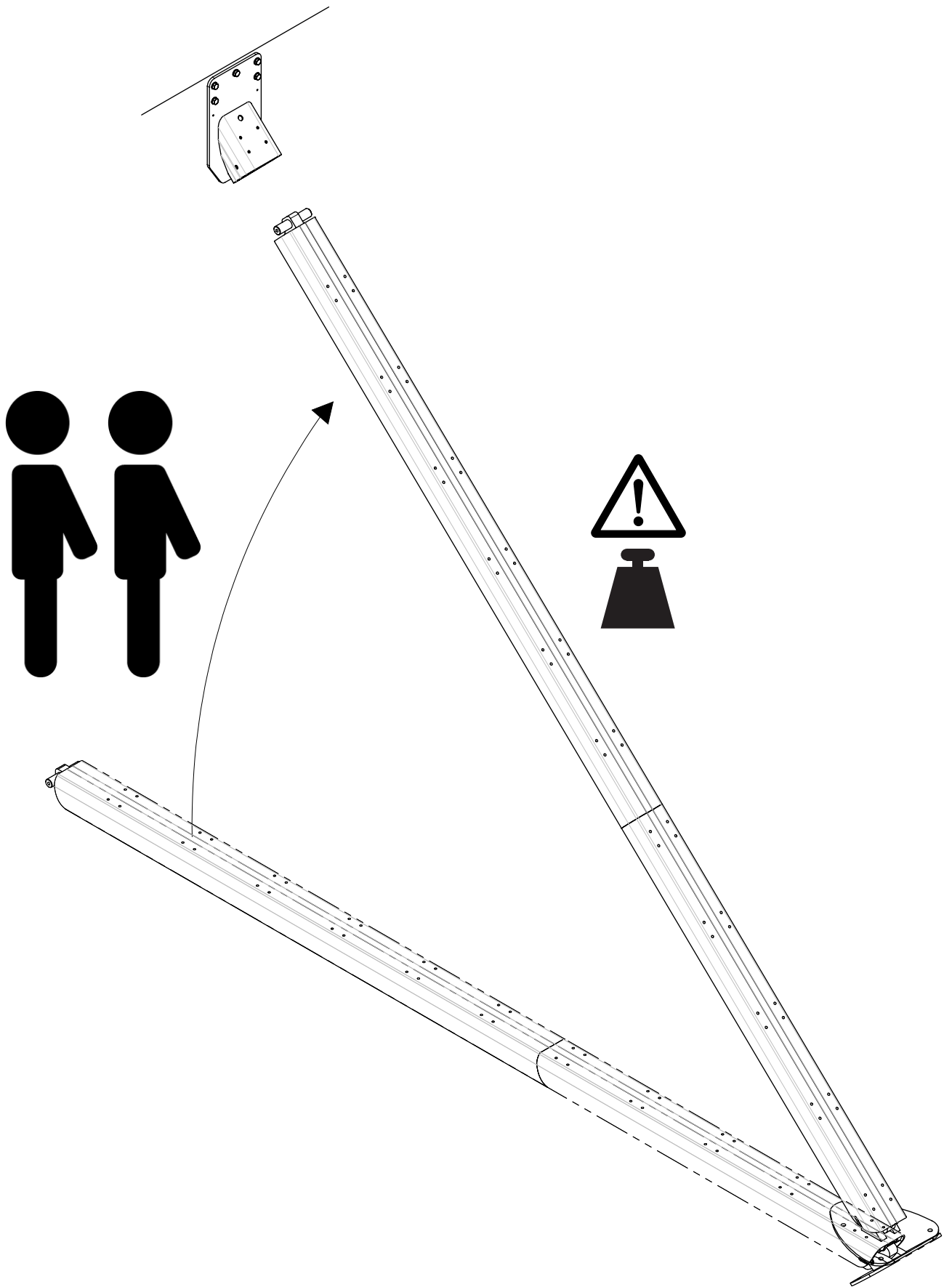
OPTION

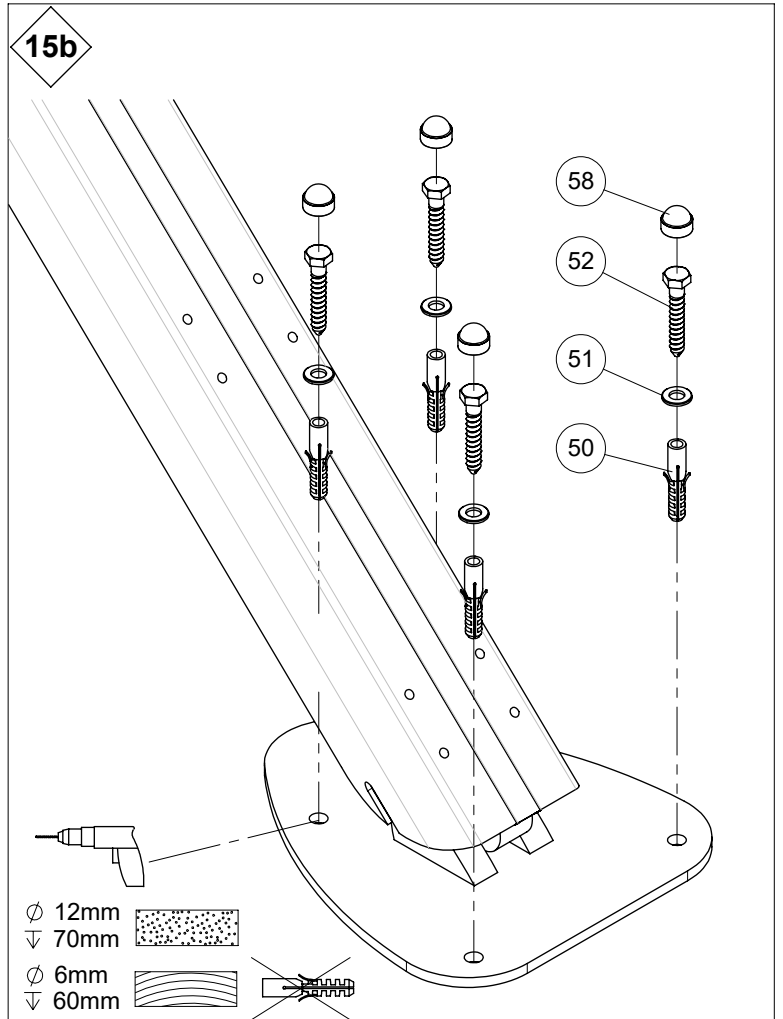
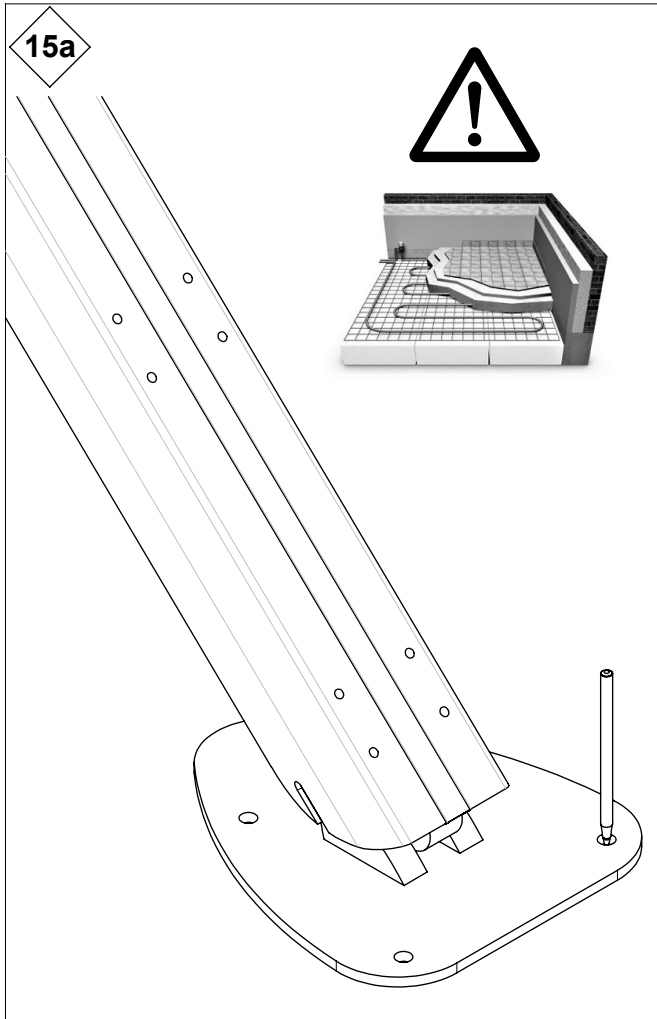
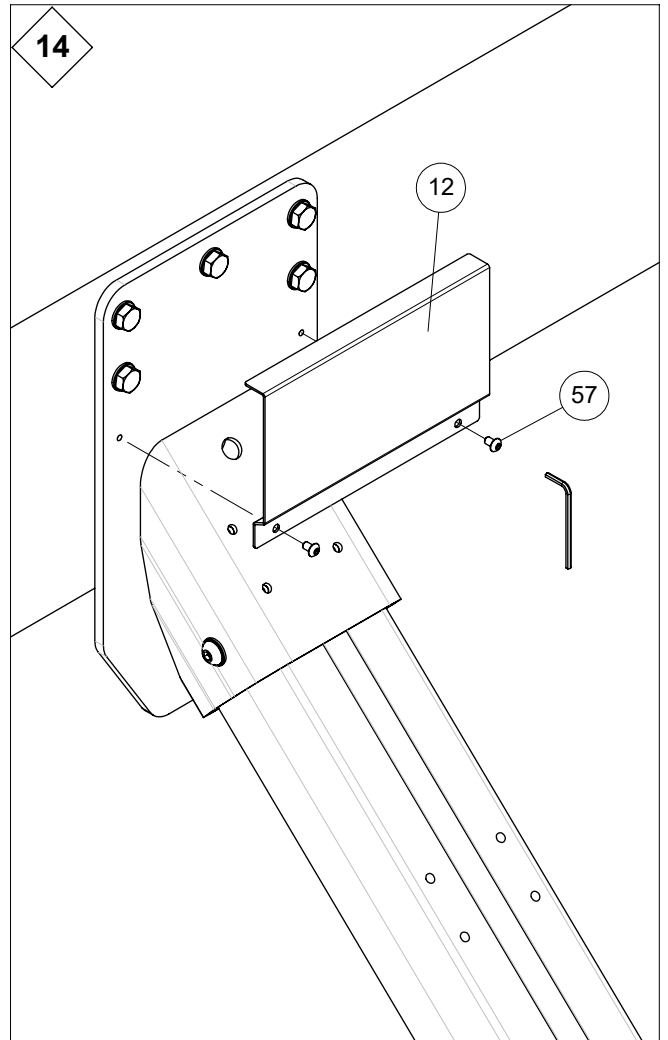
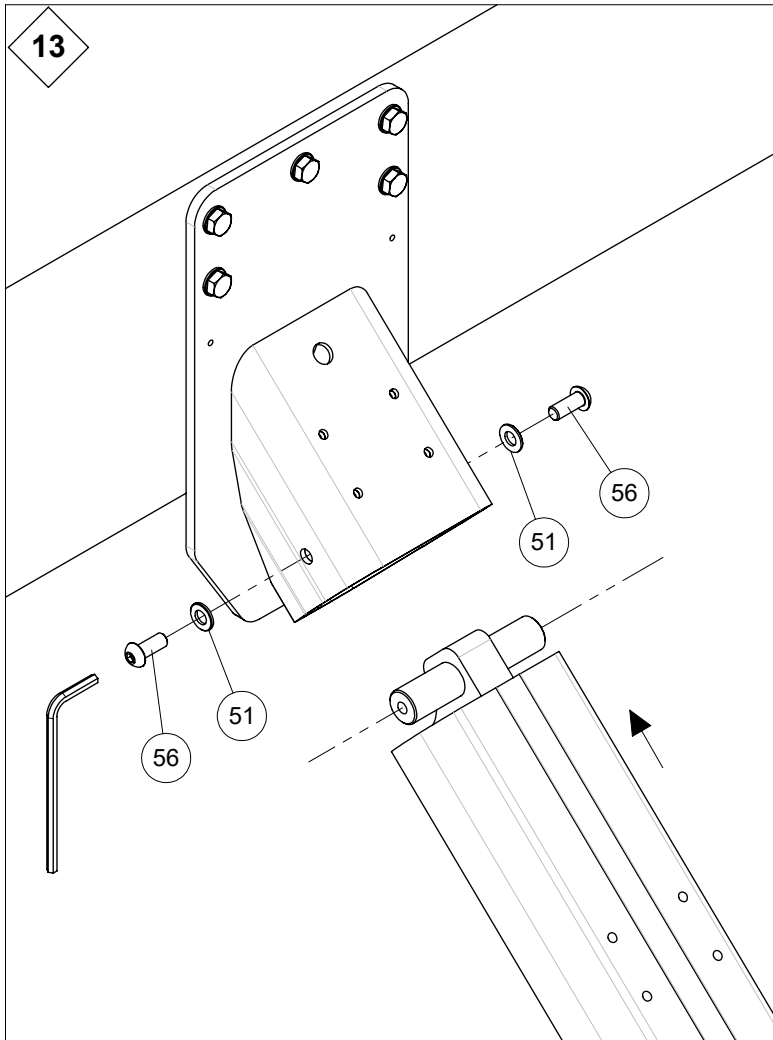
LED kit

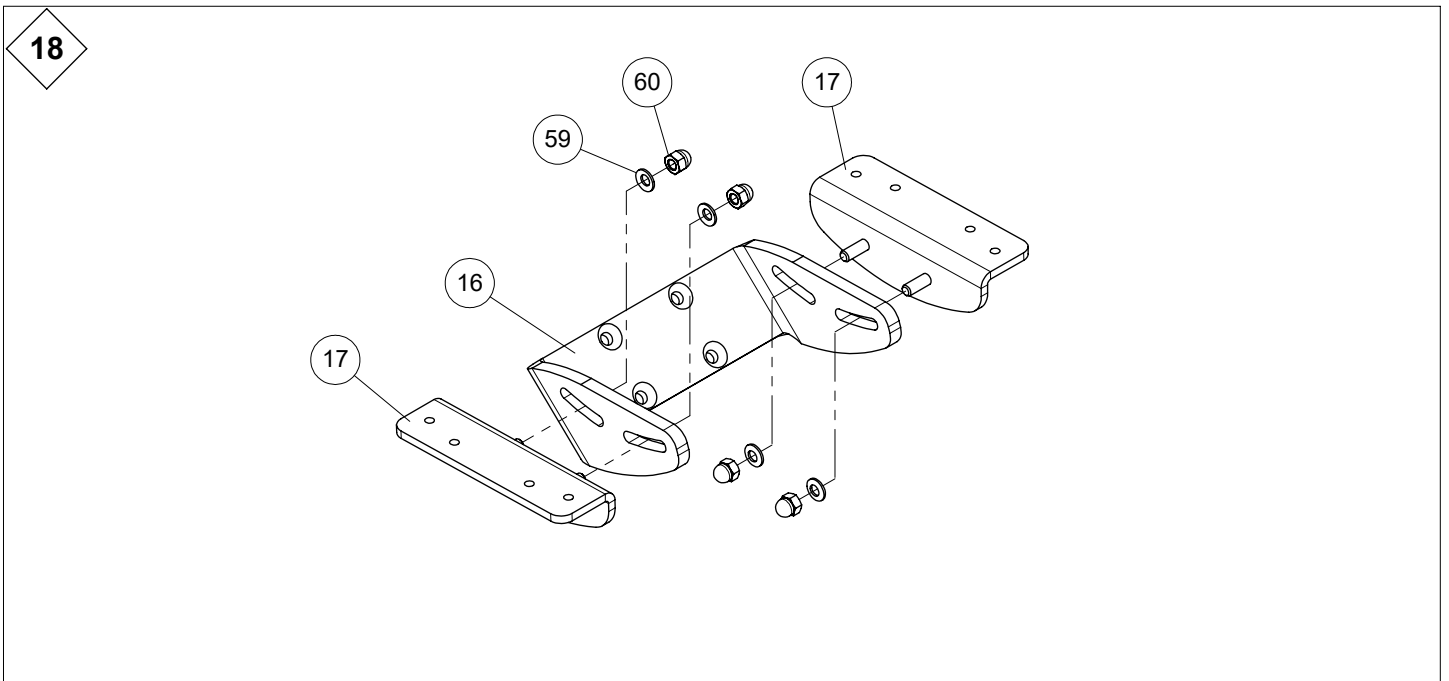
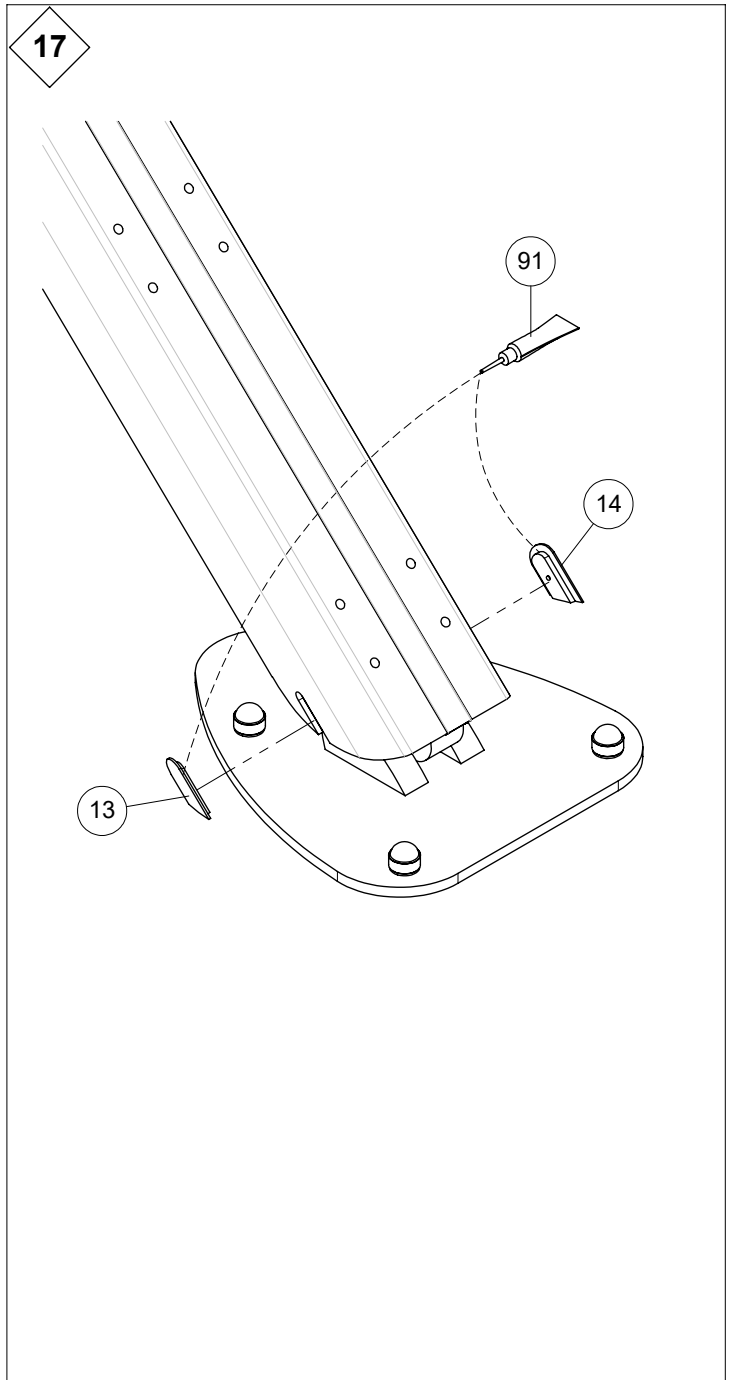
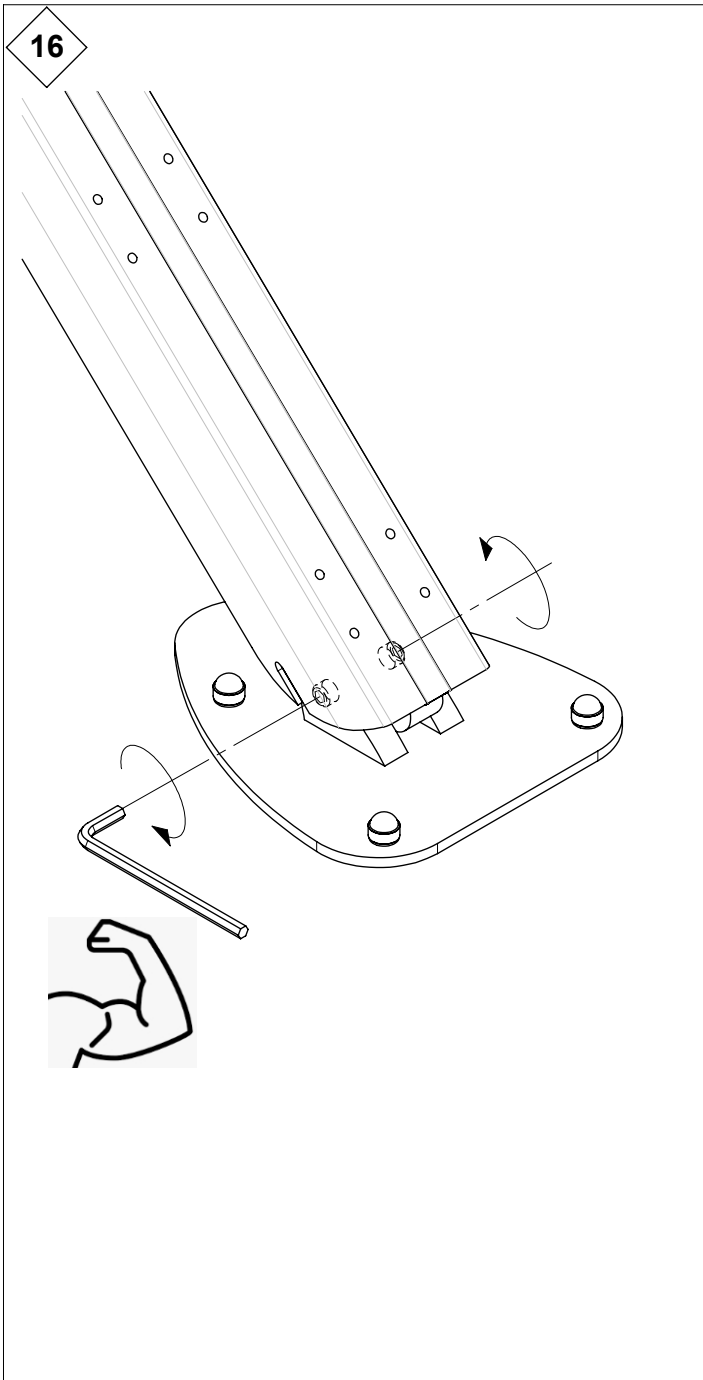




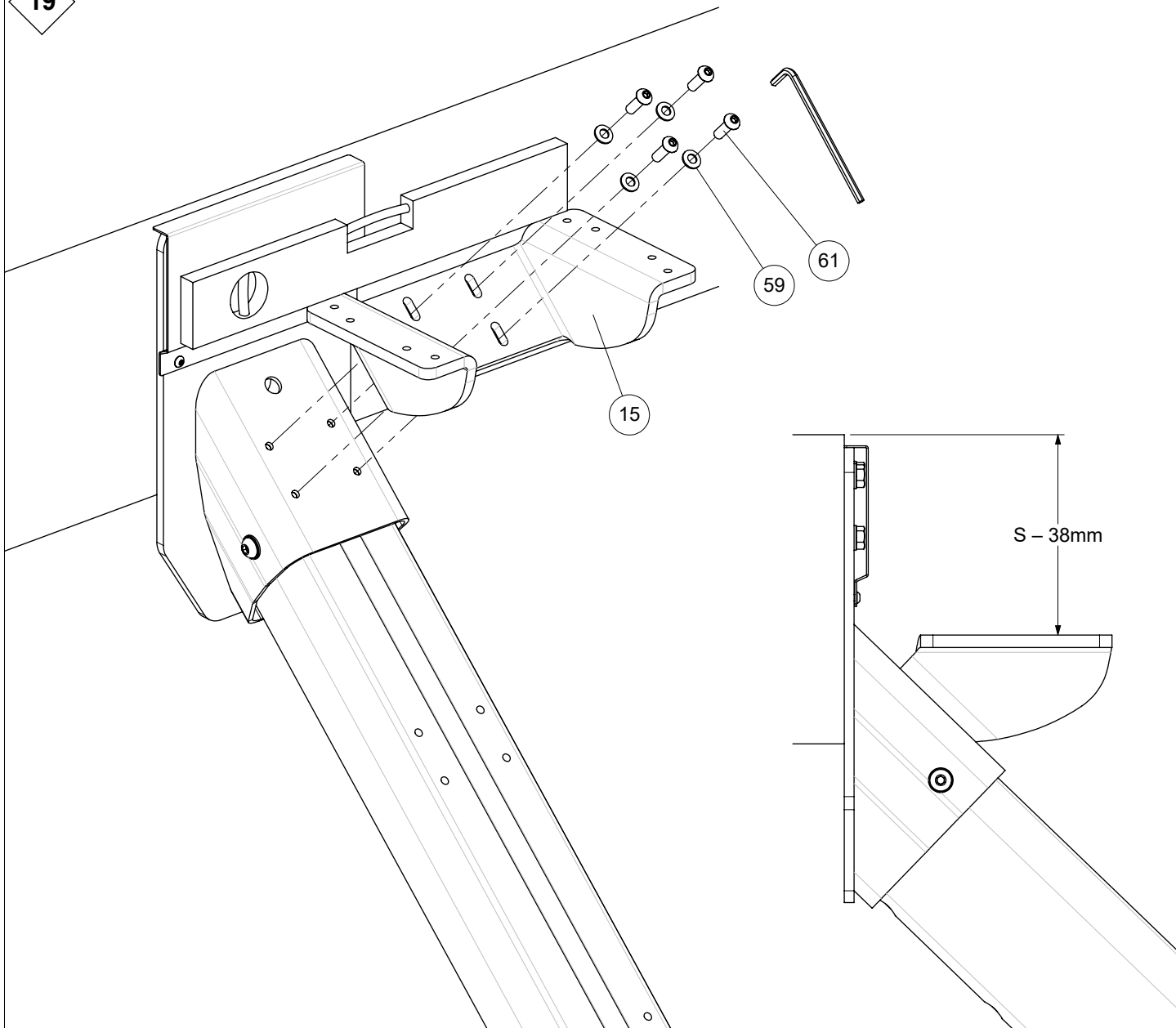
12



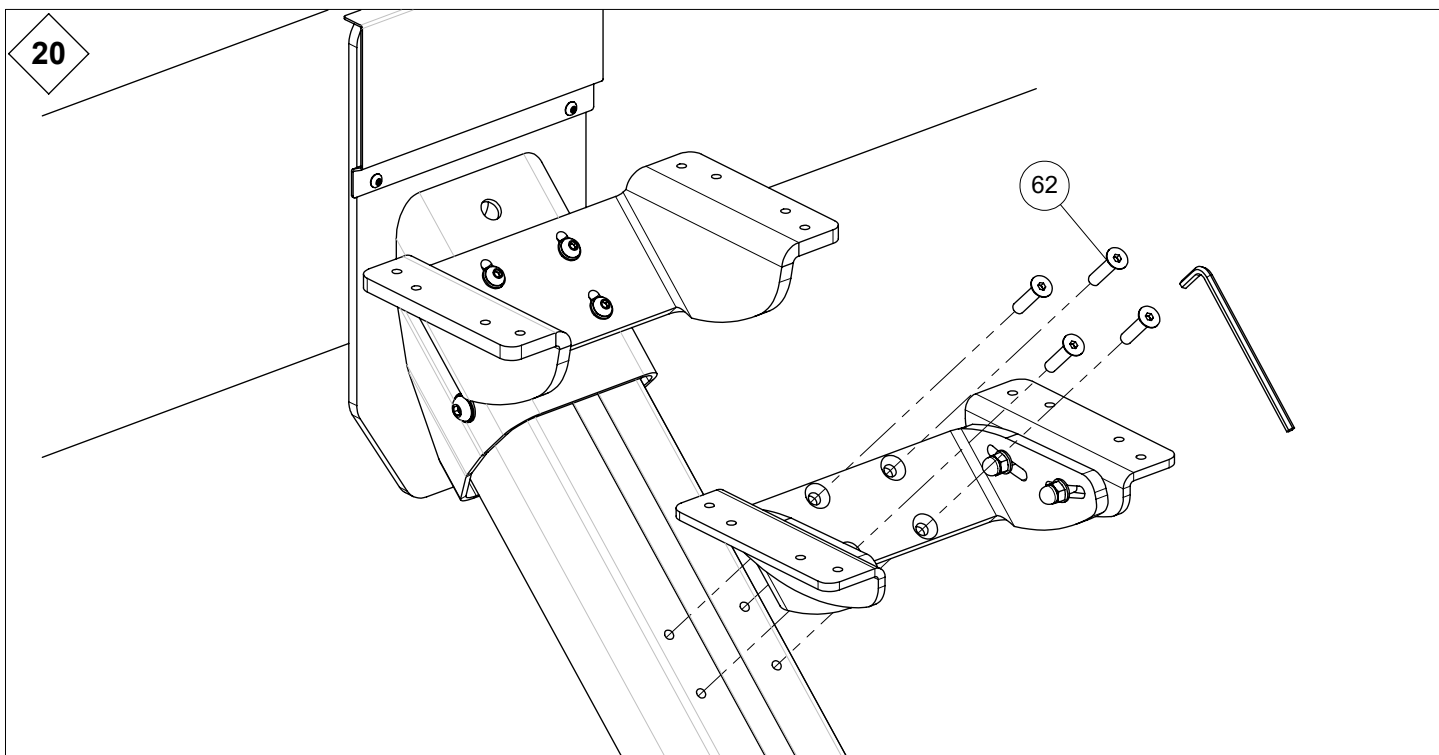


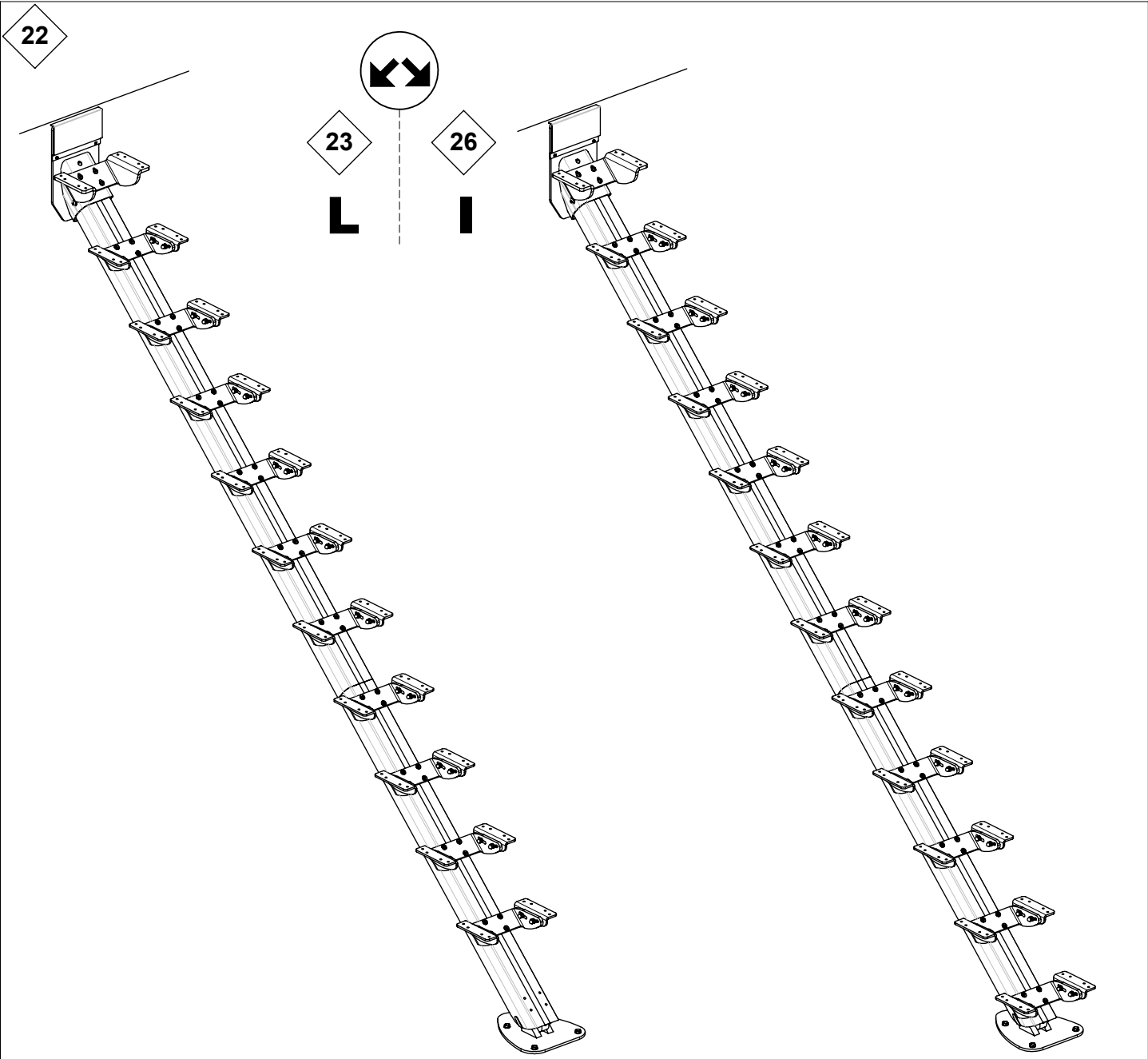
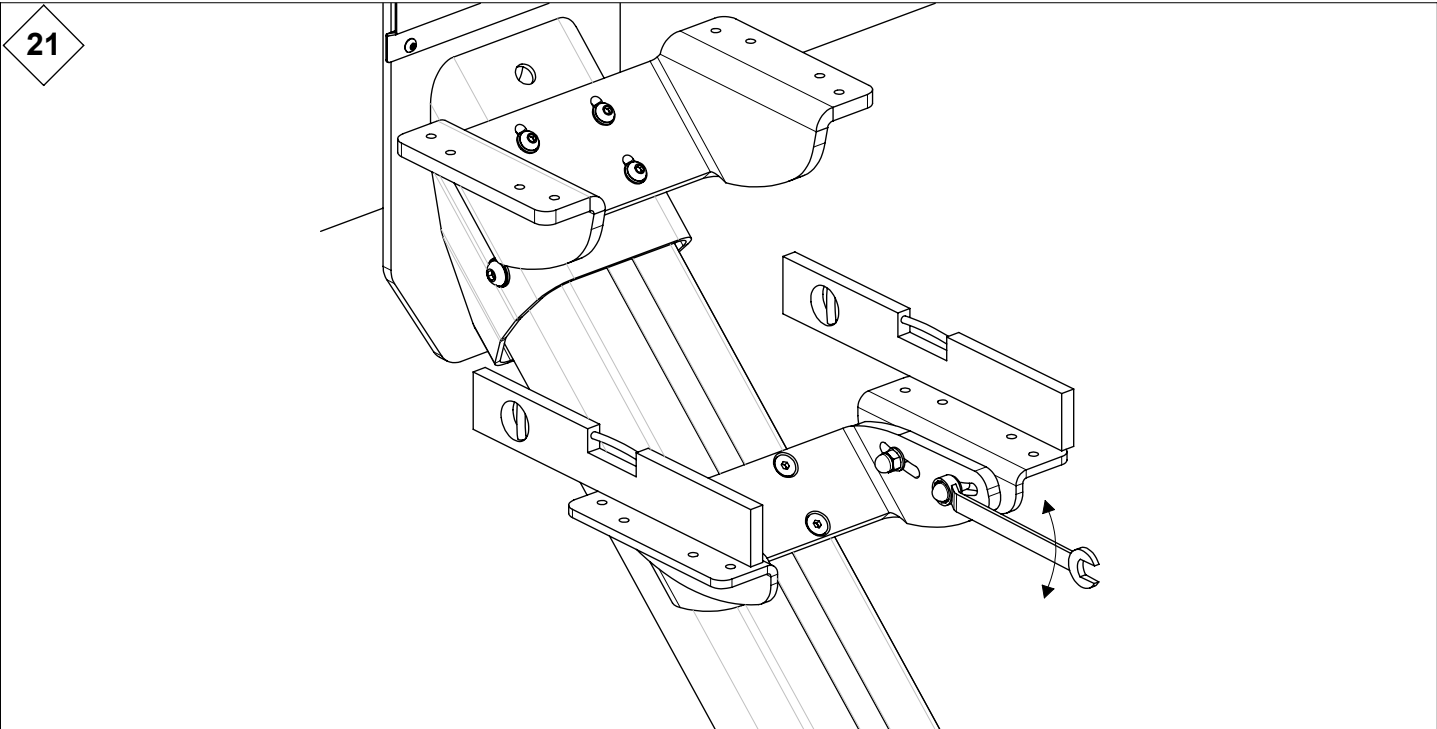


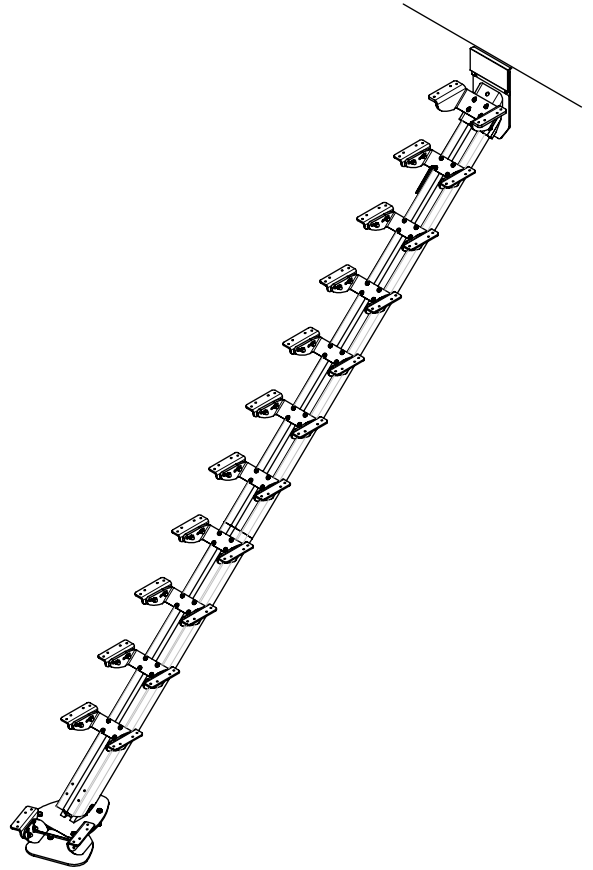
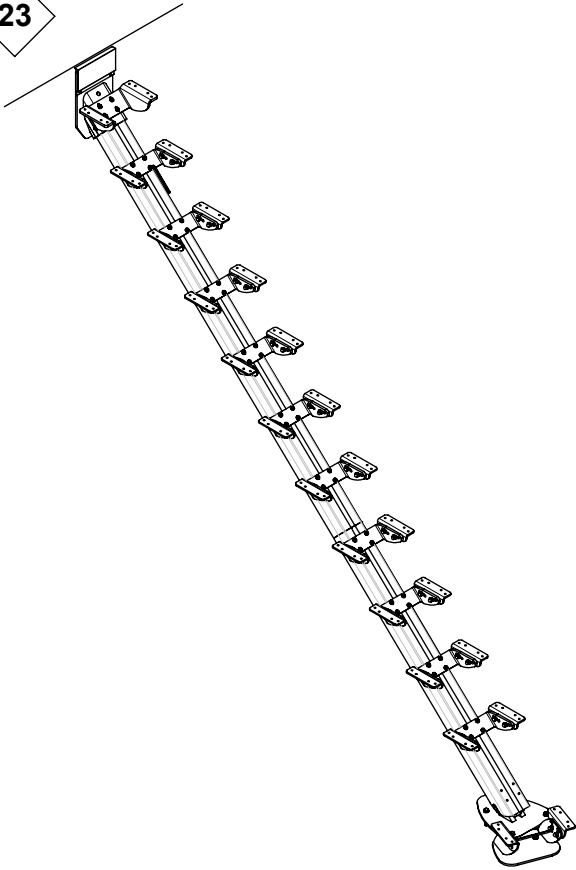
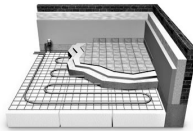
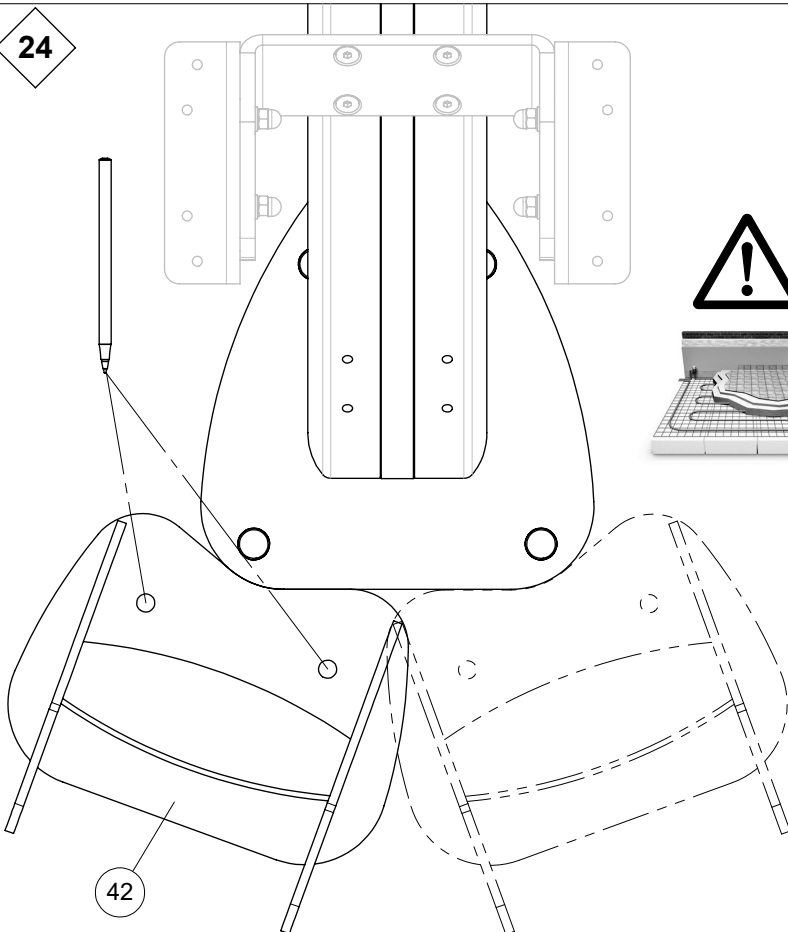
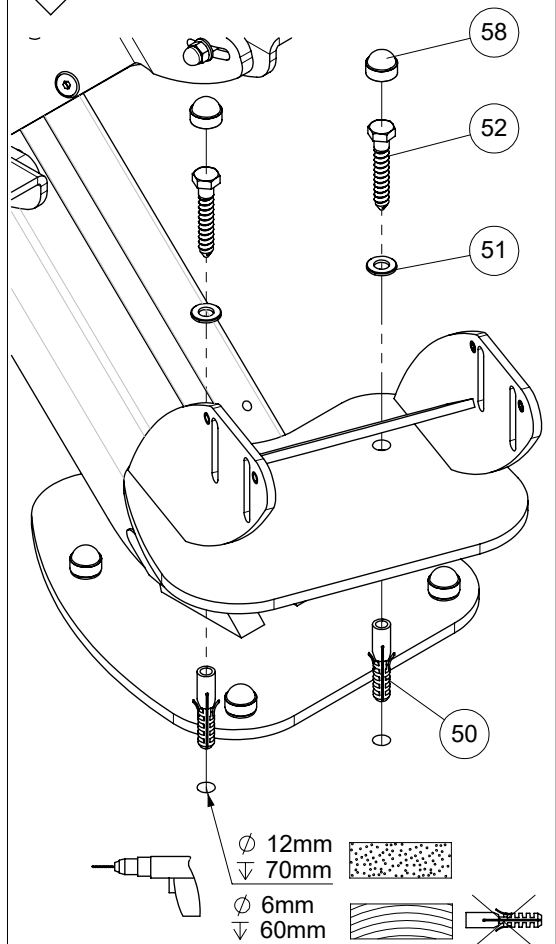
19



20





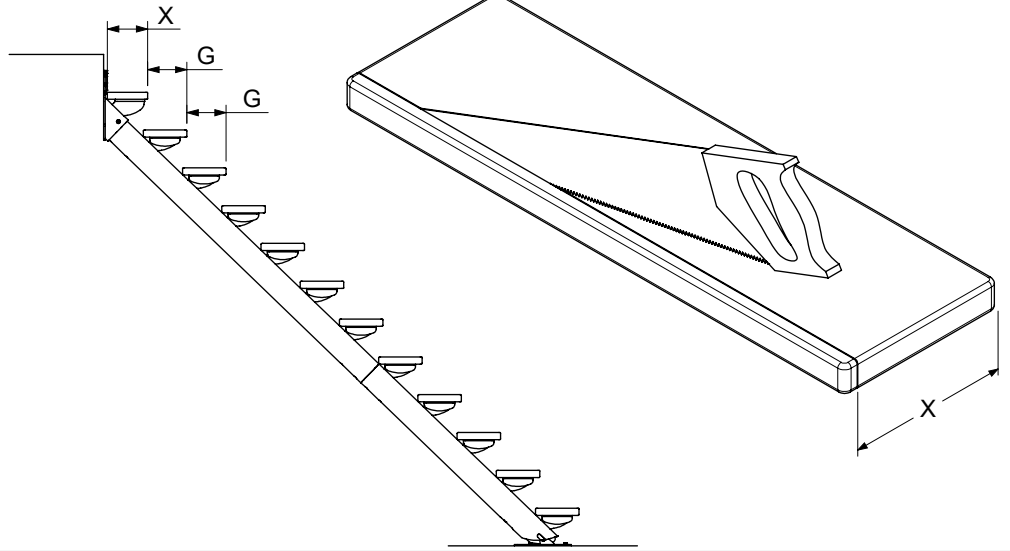
L**23****24****25**

26

G mm	X mm
221	200
217	205
212	210
207	216
203	221
197	227
192	230
186	230
180	230

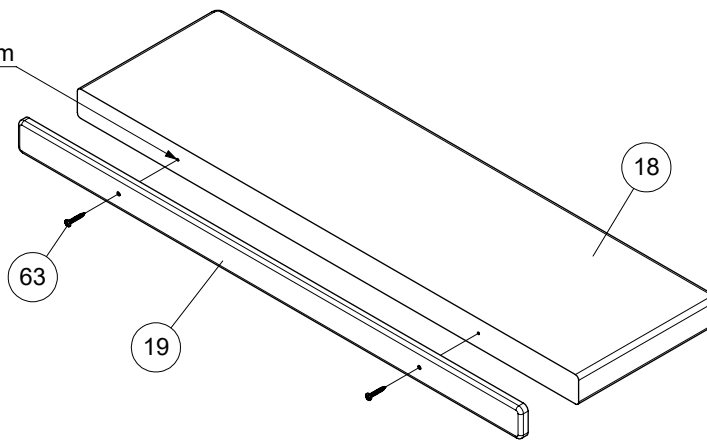
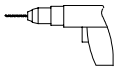


28a

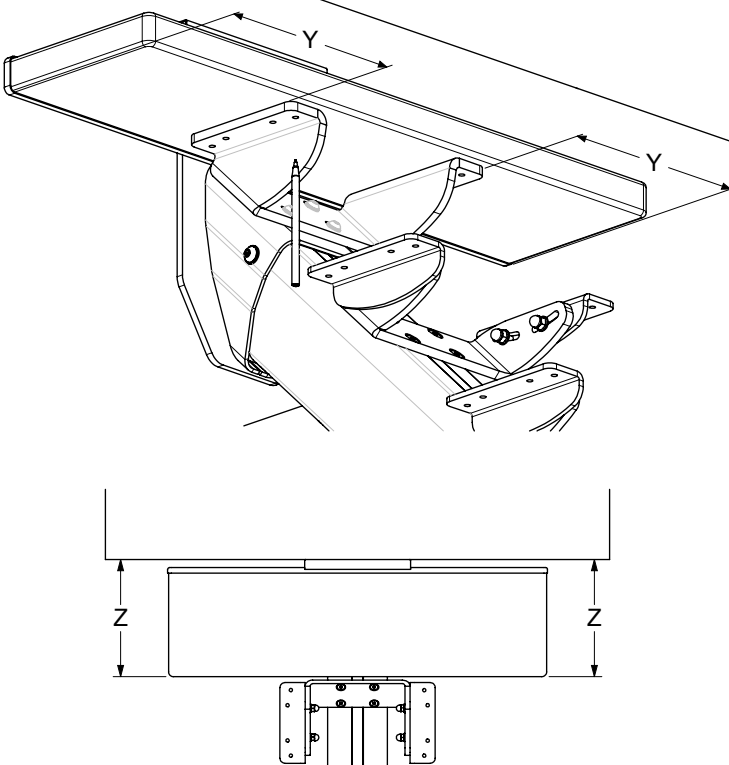


27

Ø 3mm ∇ 25mm

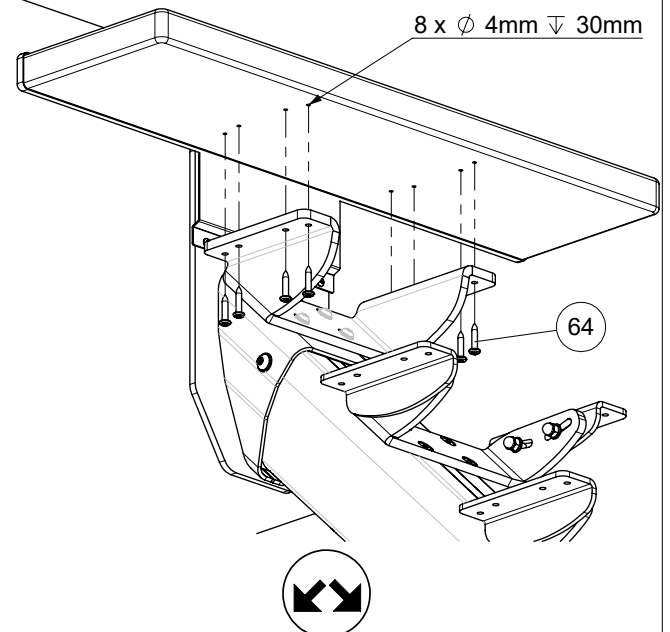
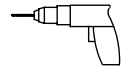


28a



28b

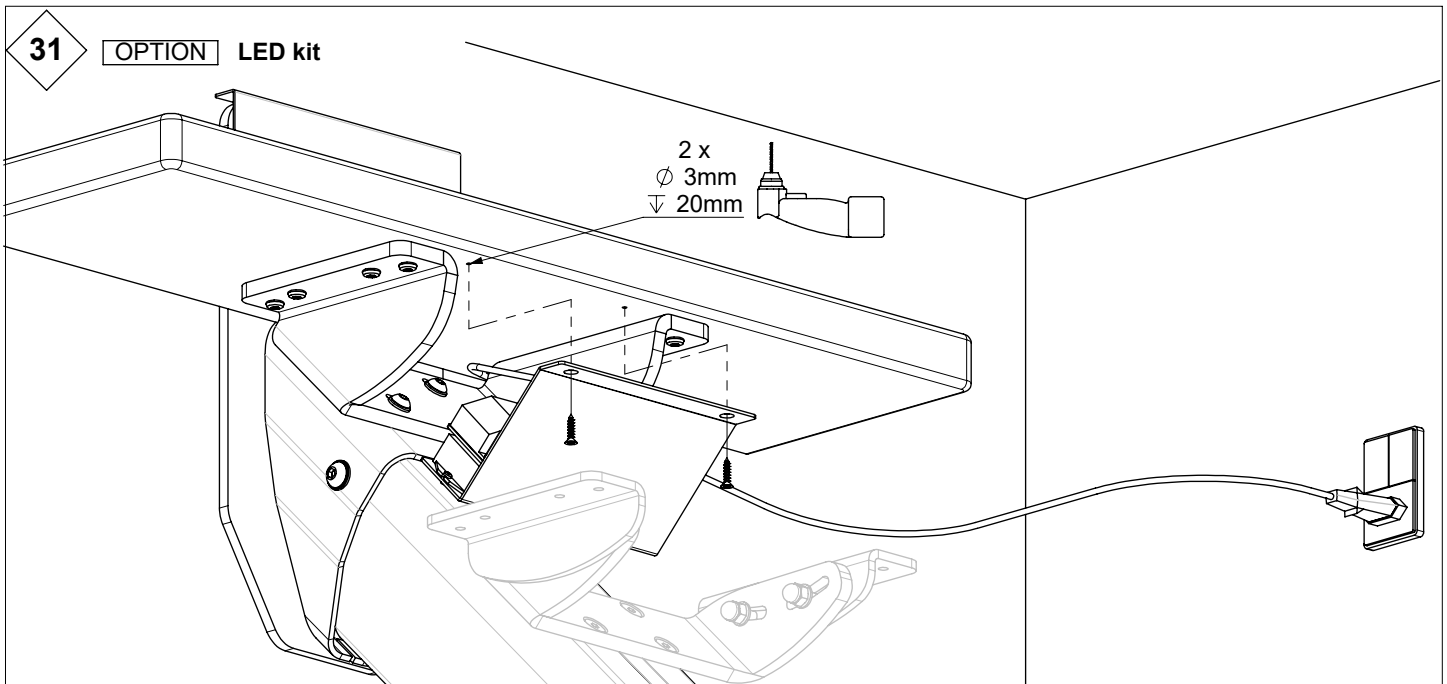
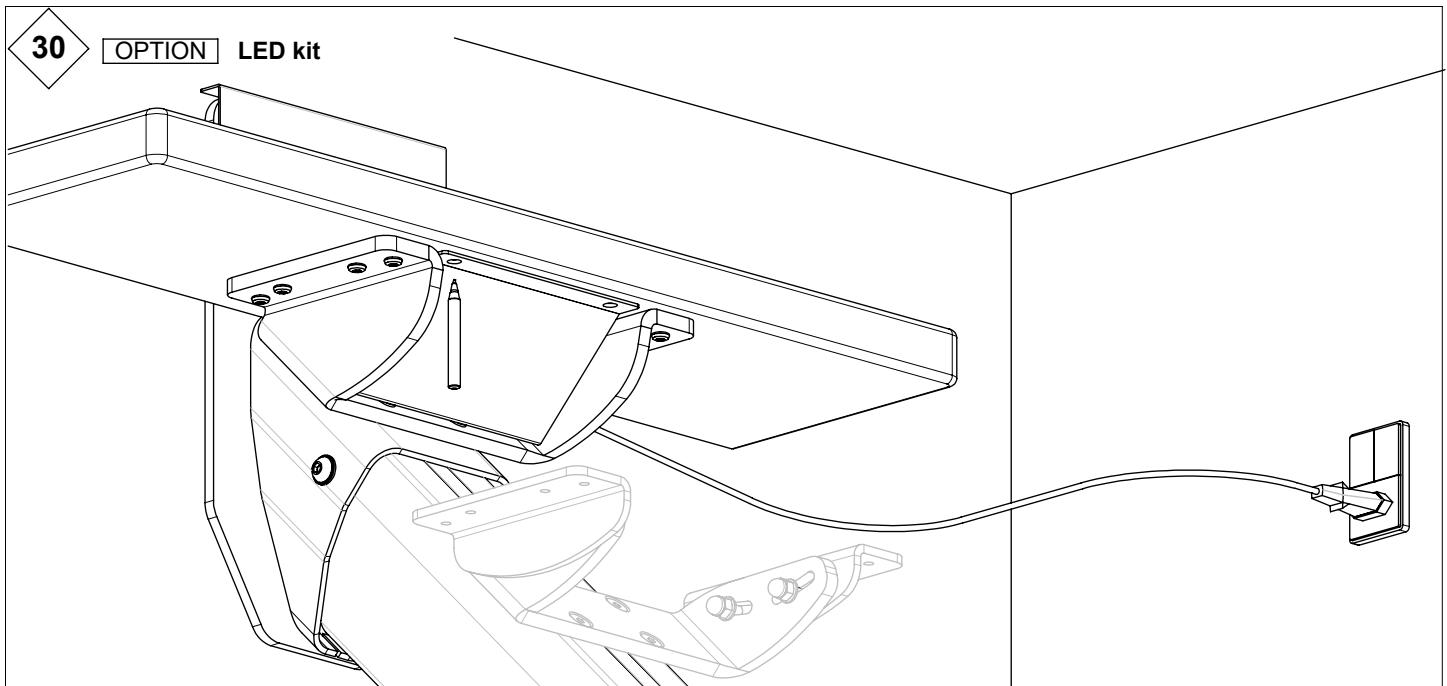
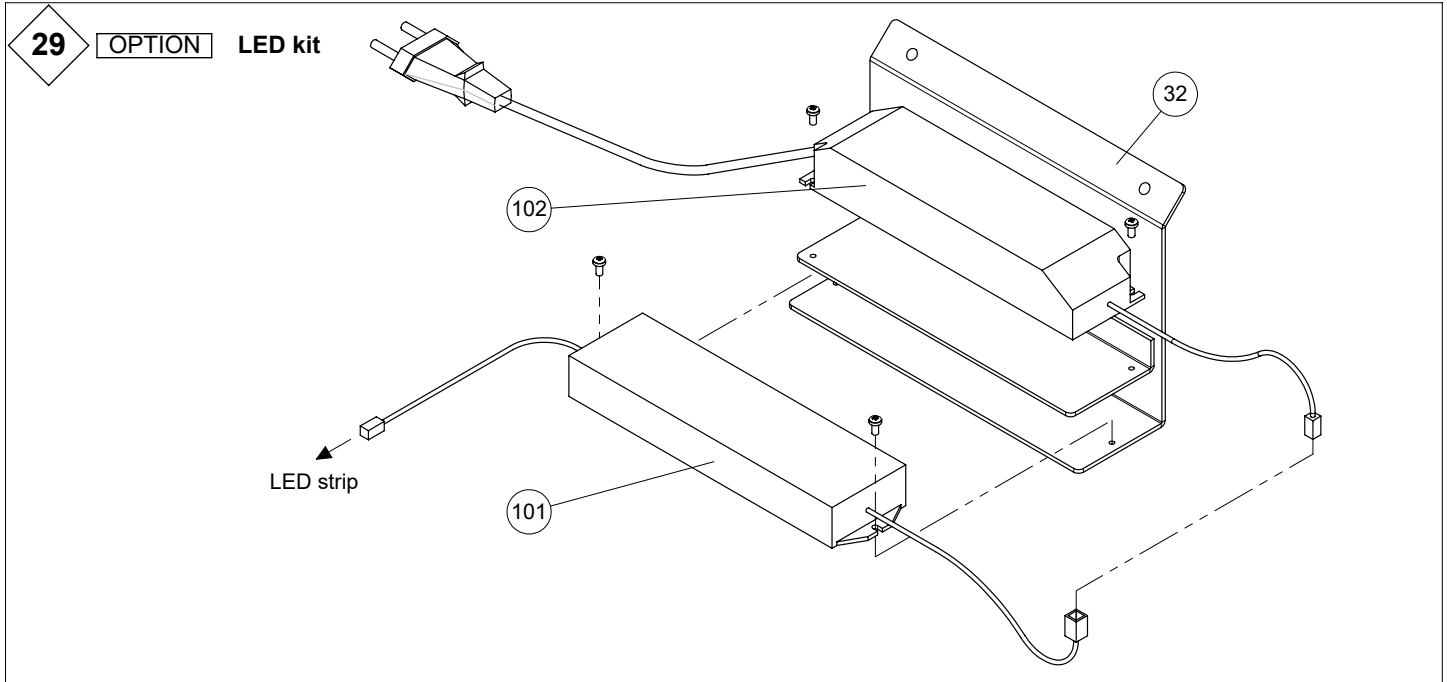
8 x Ø 4mm ∇ 30mm



LED kit

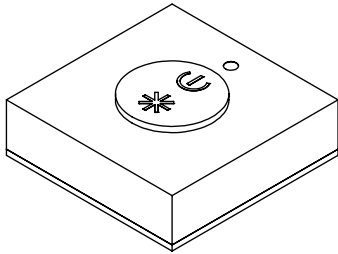
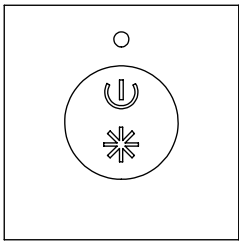
29

33

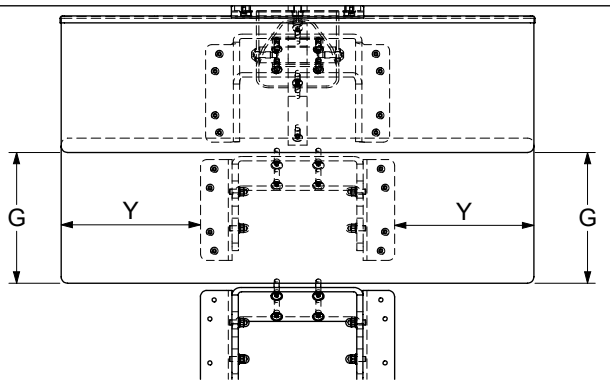
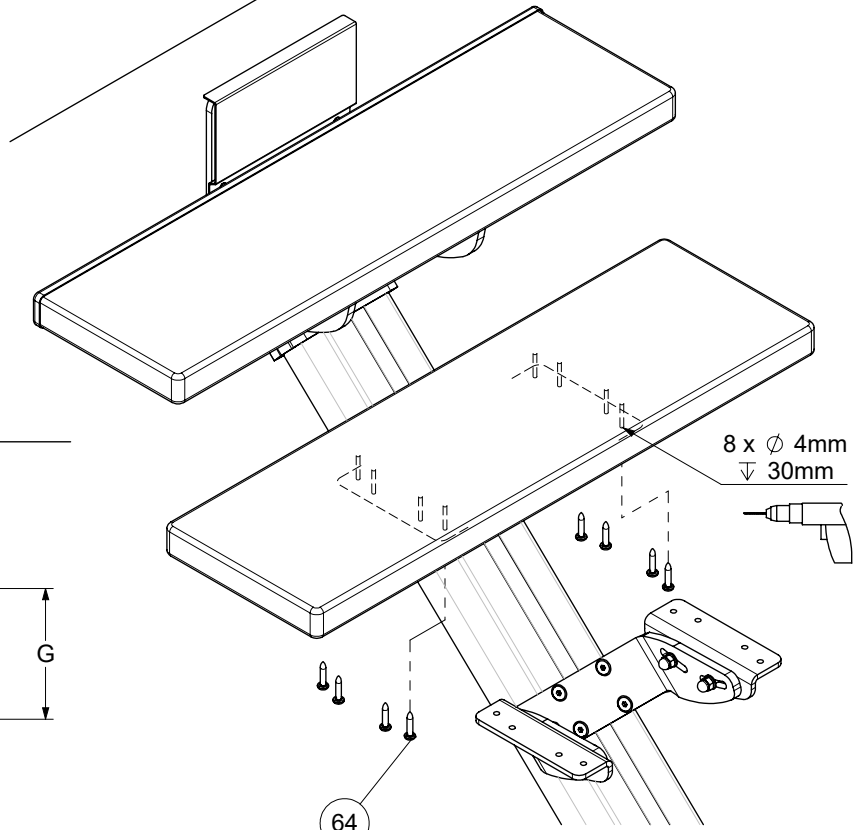


32

OPTION LED kit

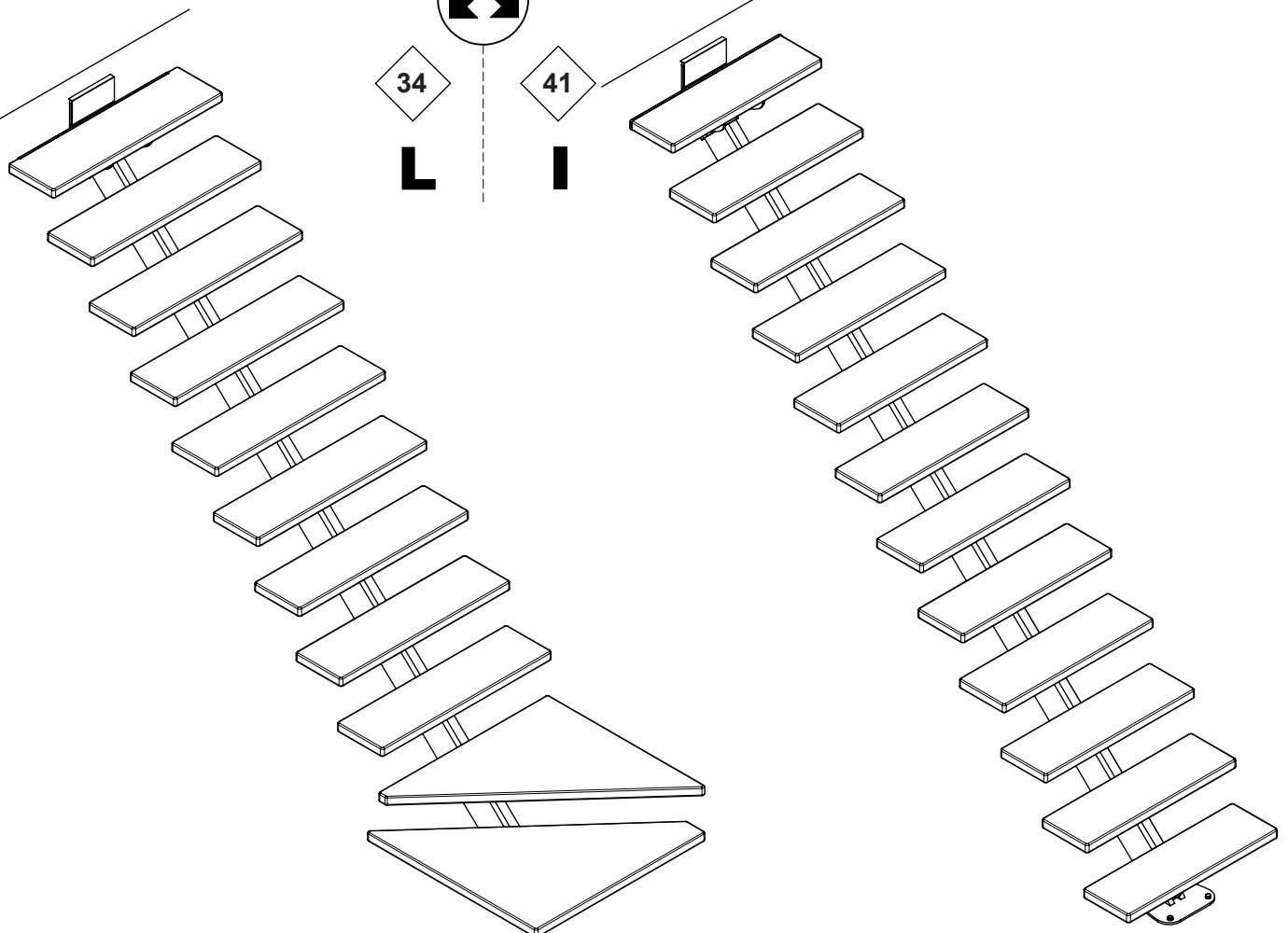


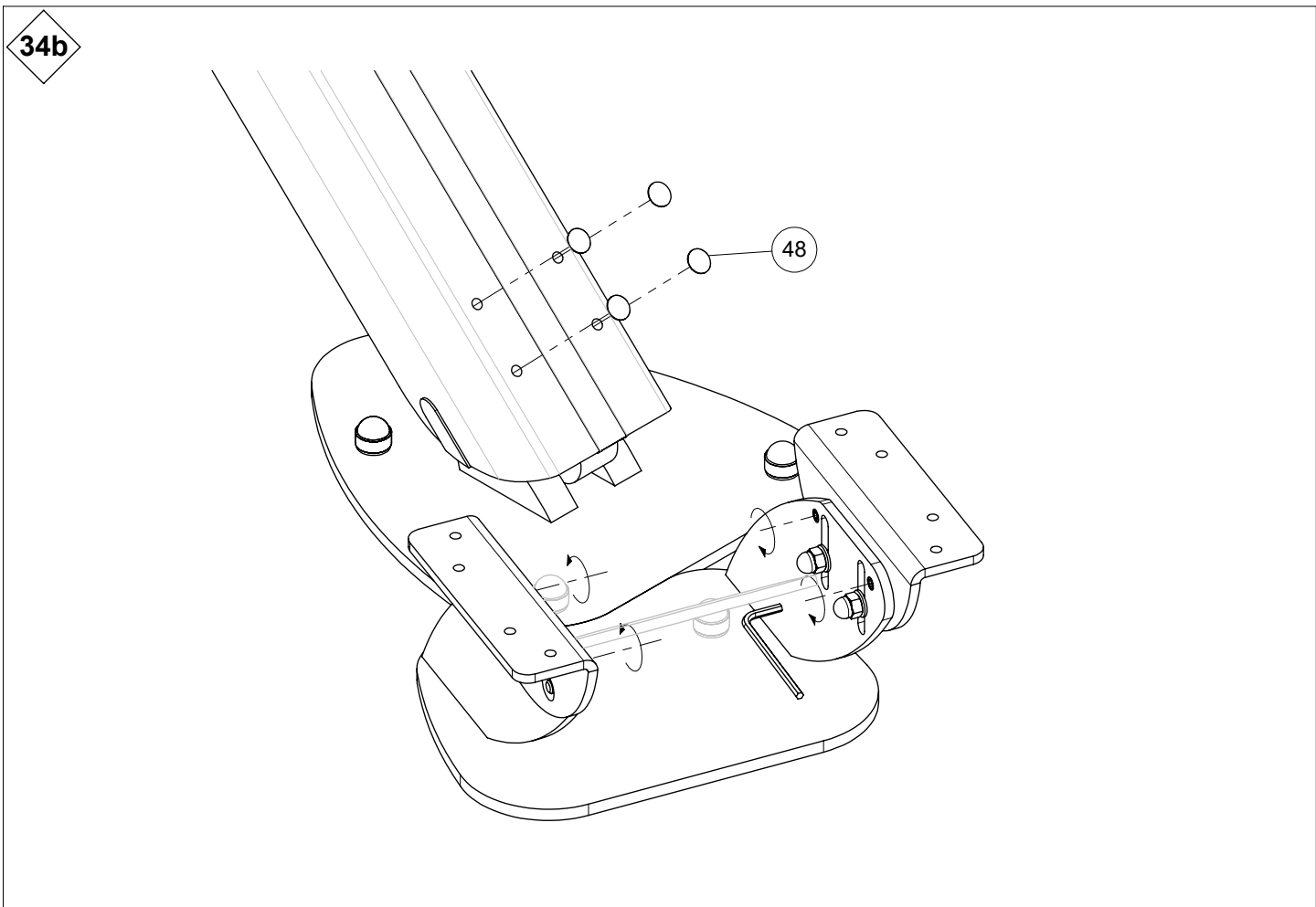
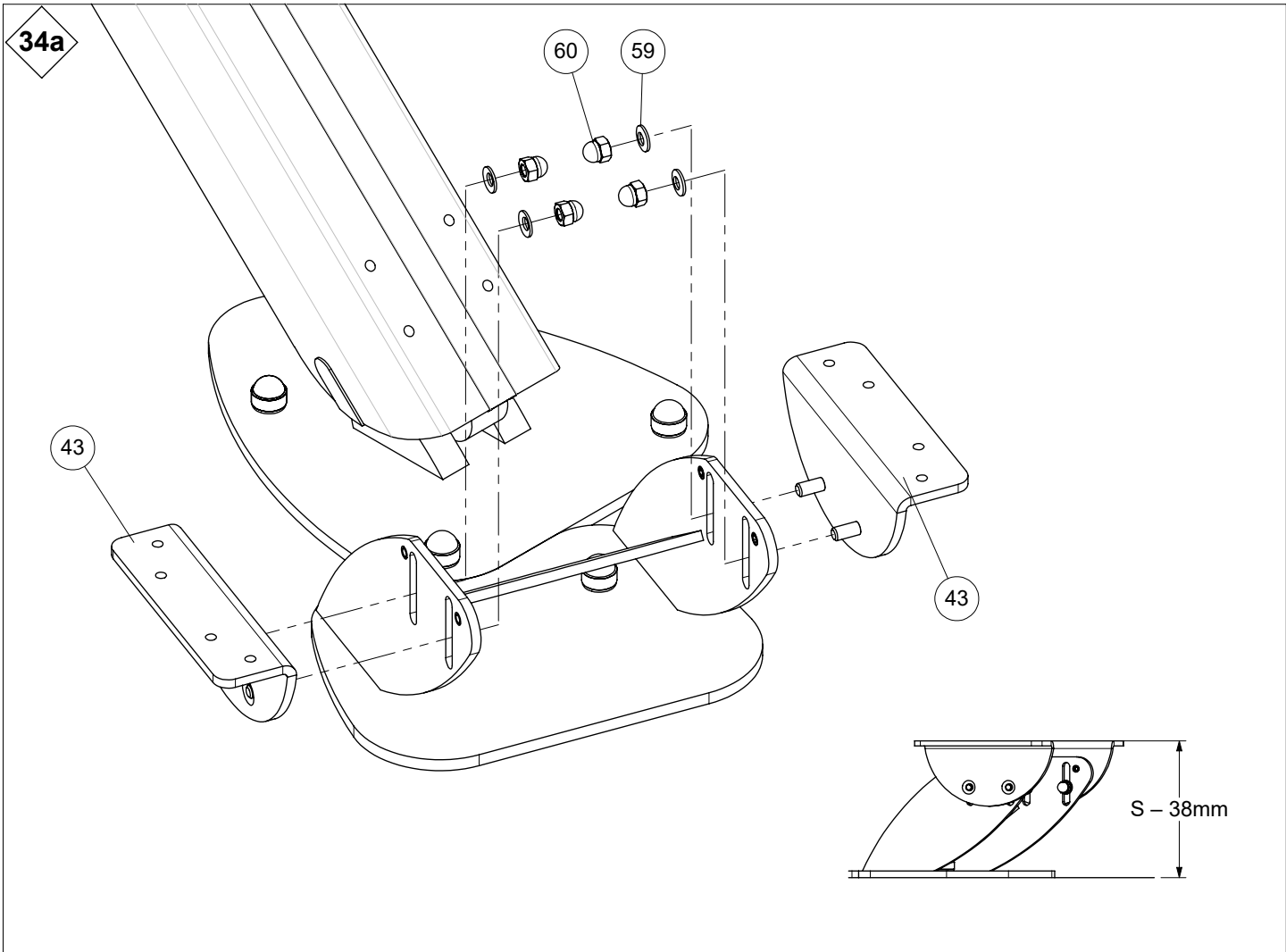
33

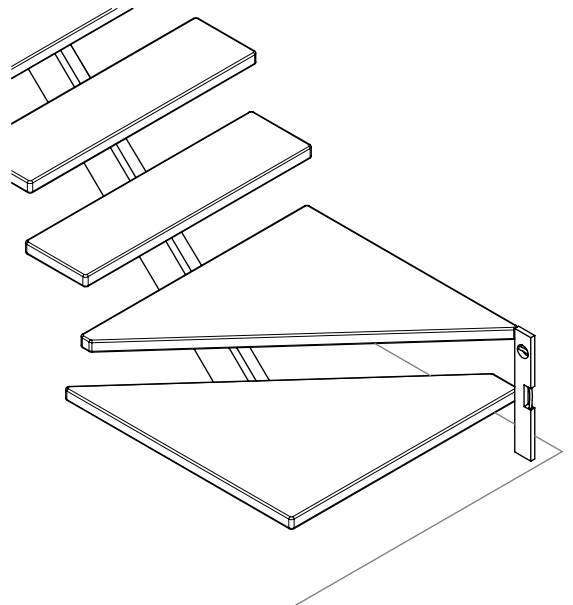
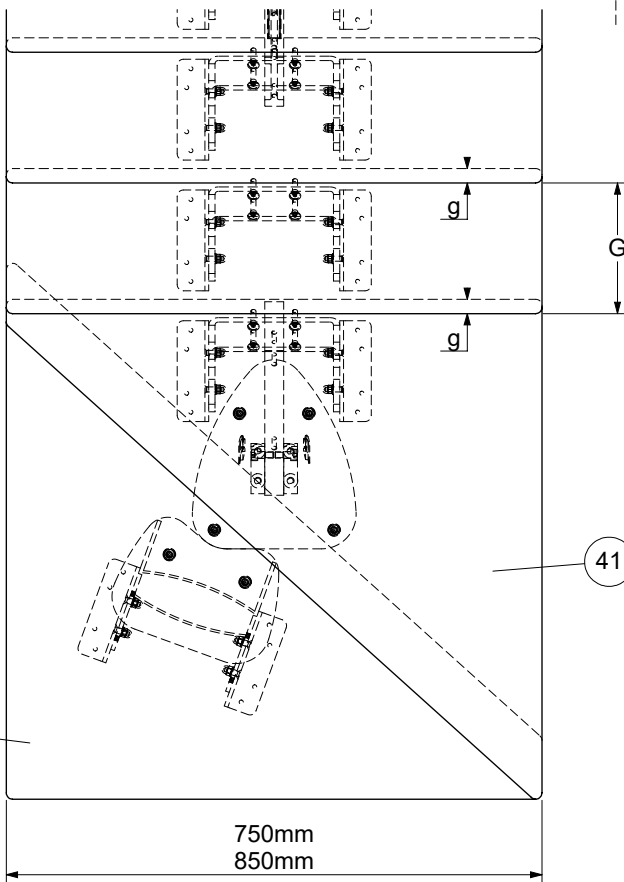
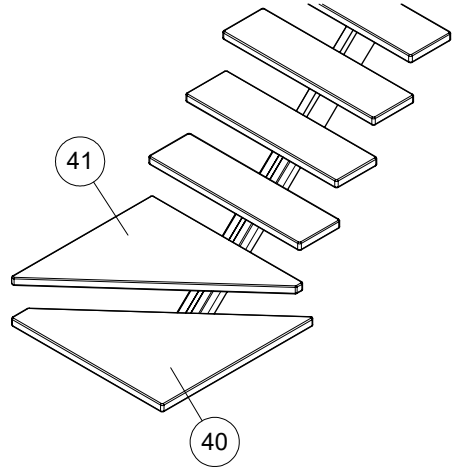
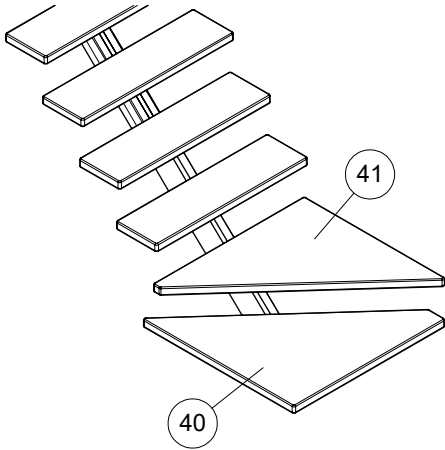
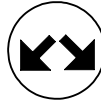


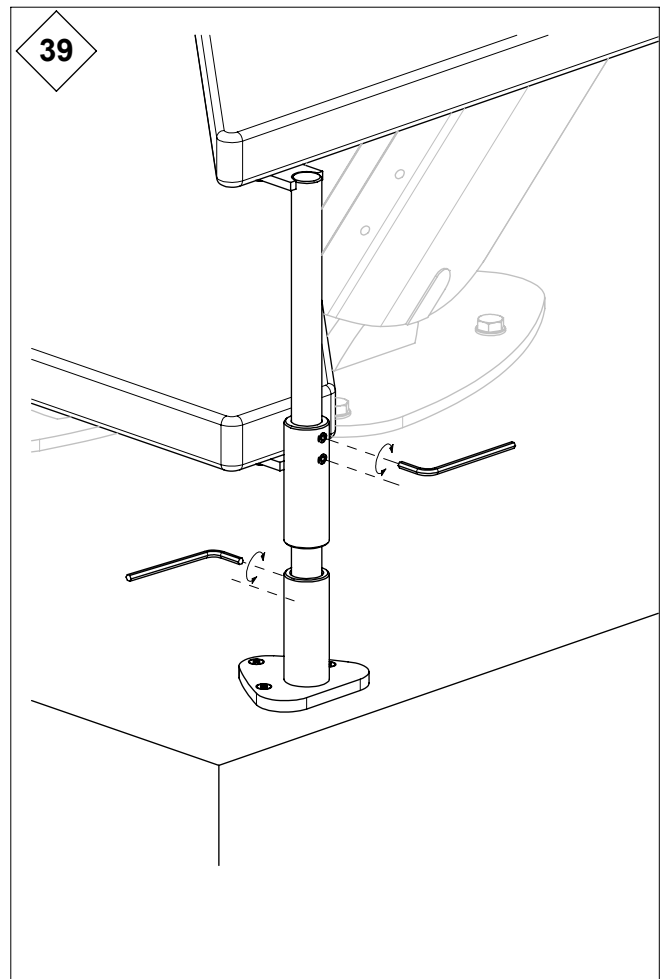
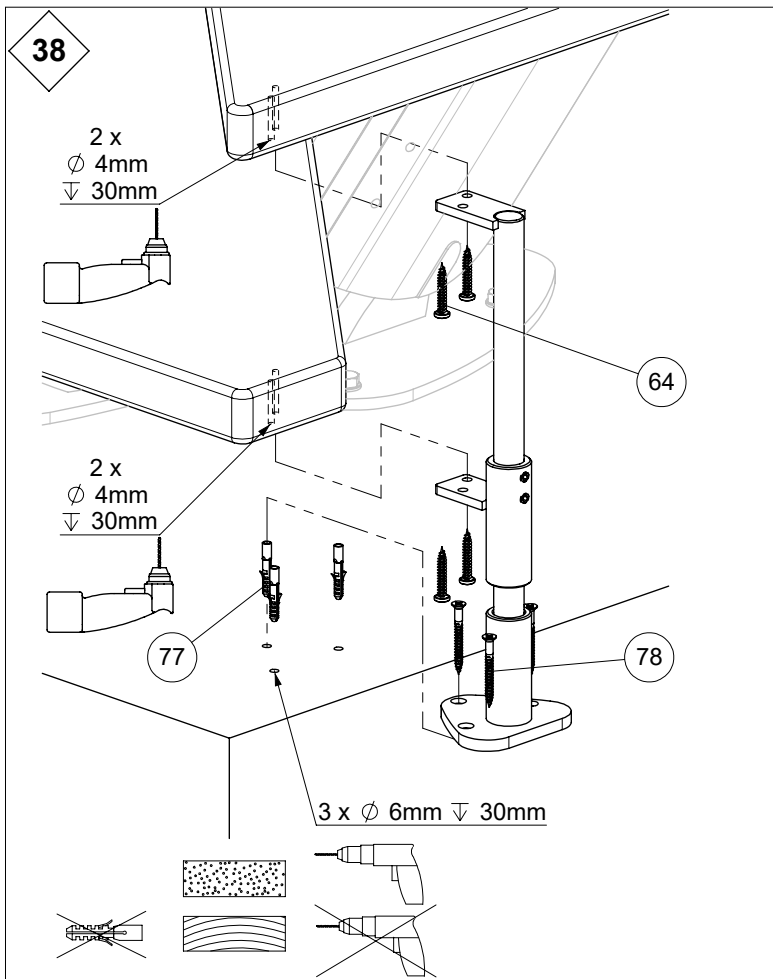
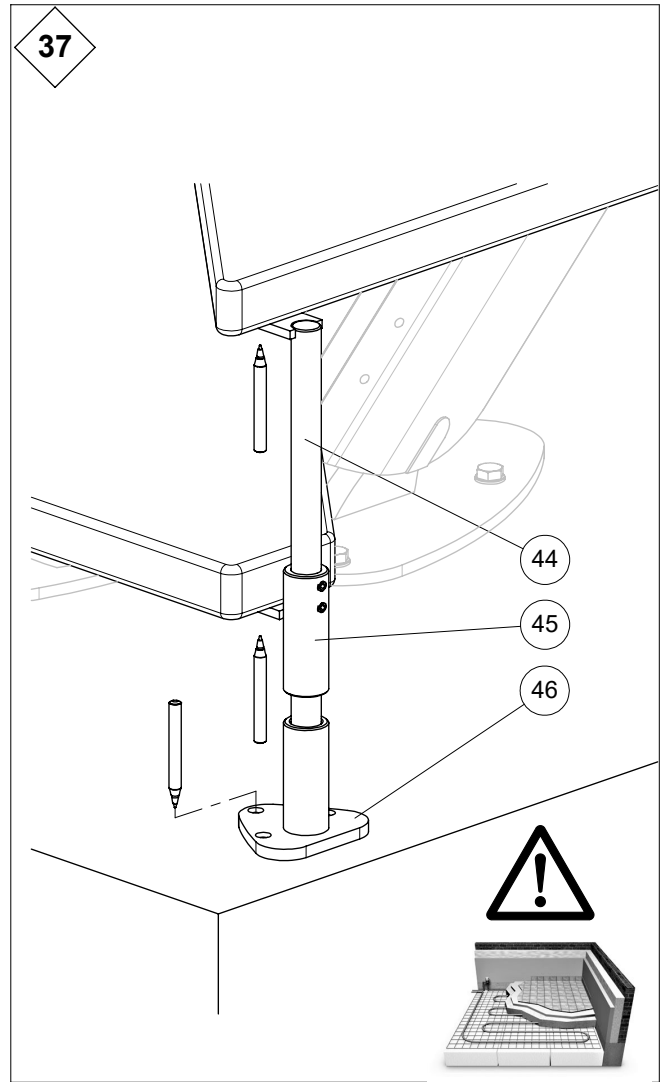
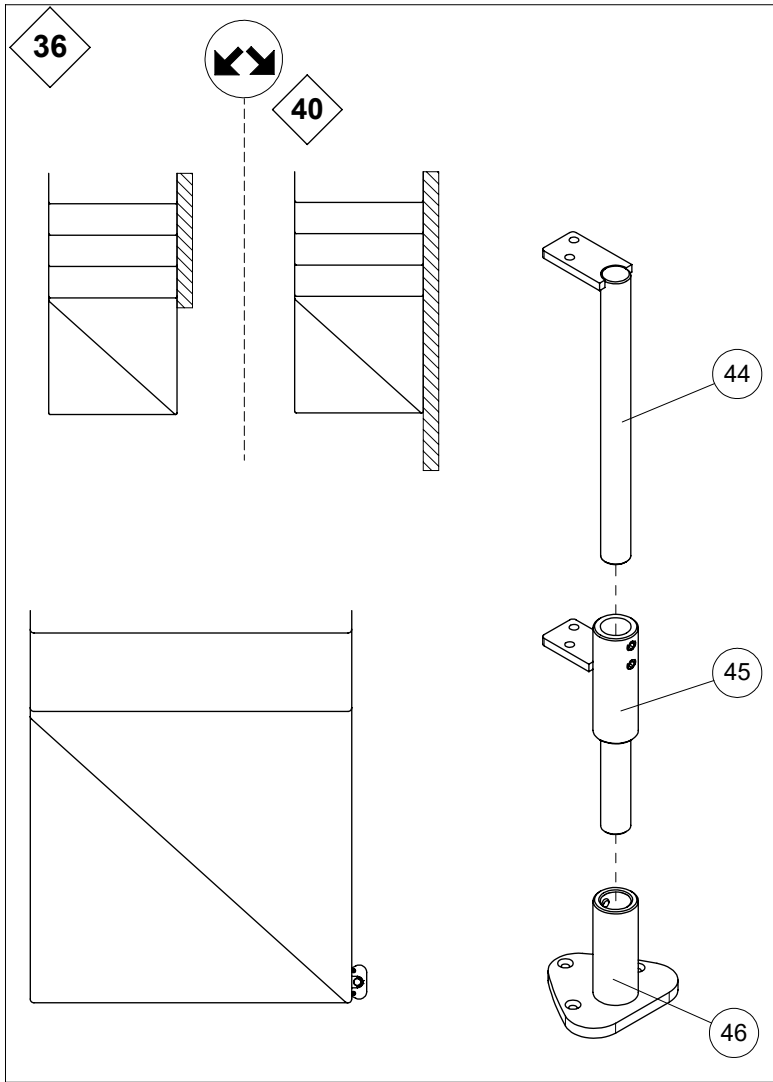
34

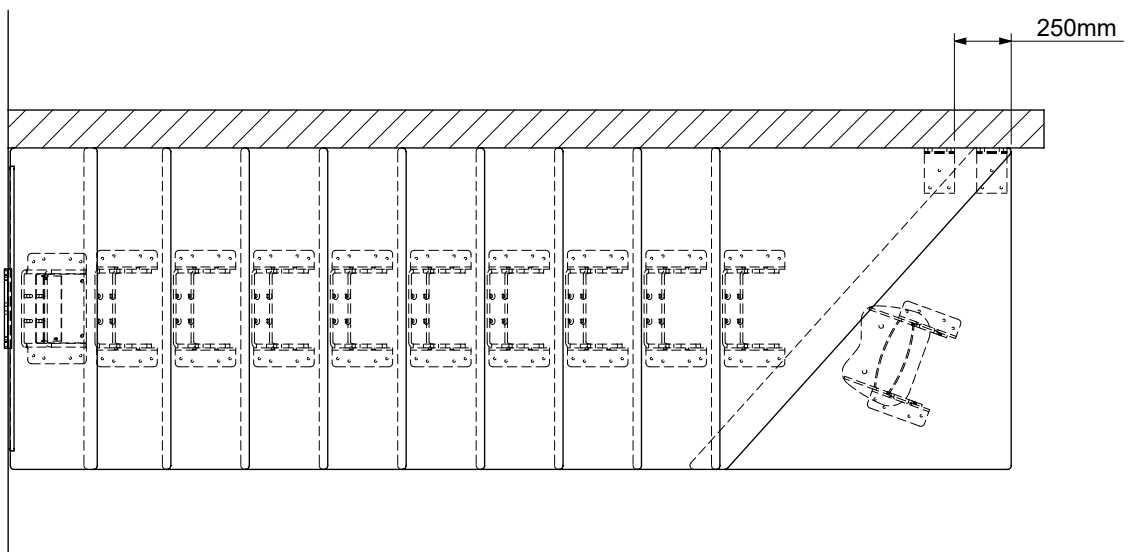
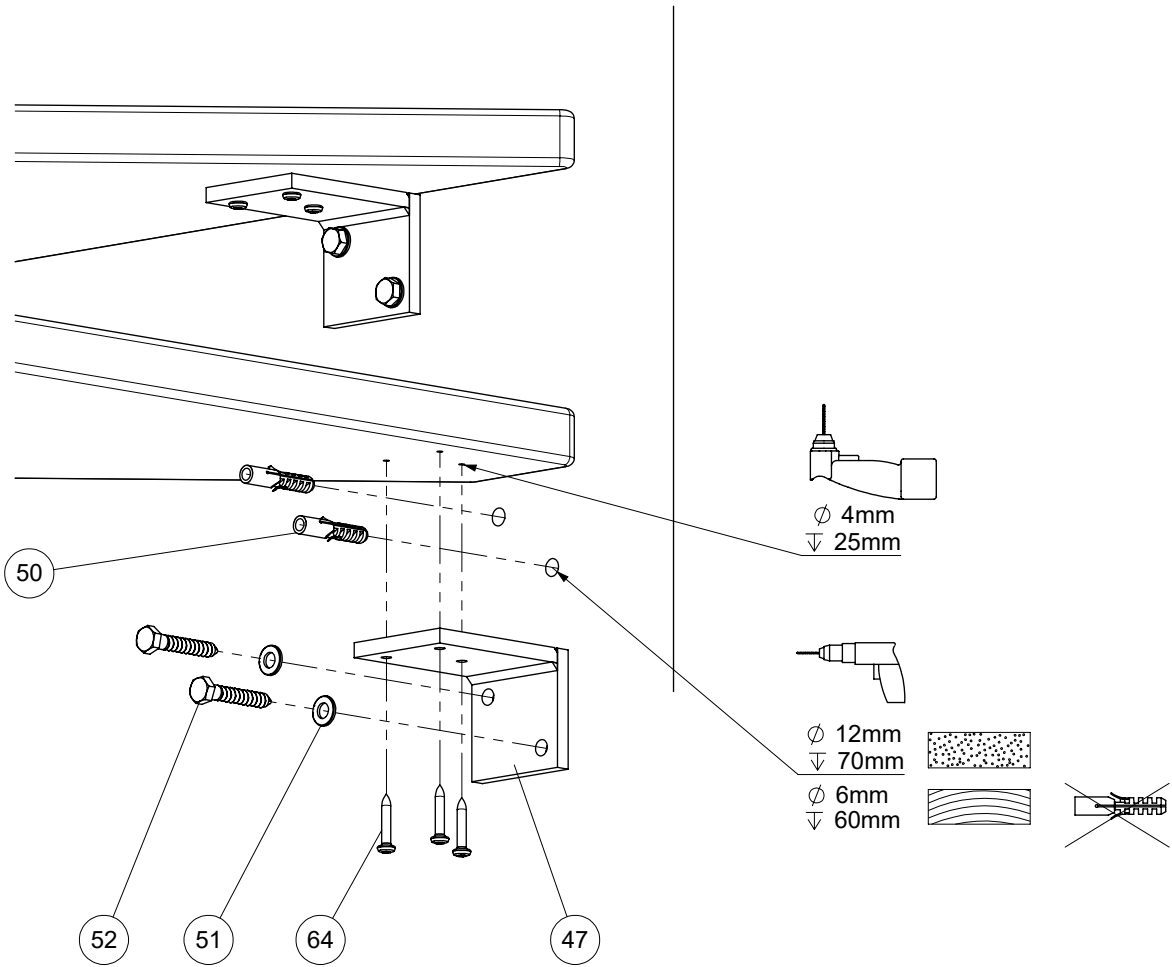
41









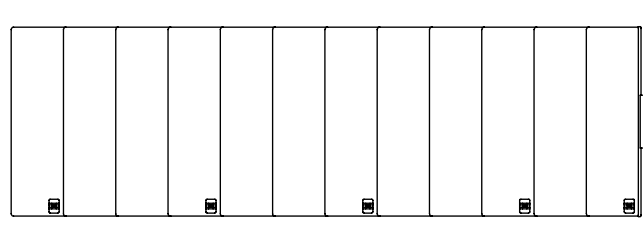
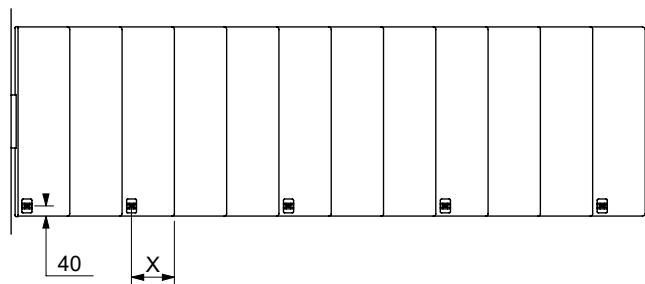
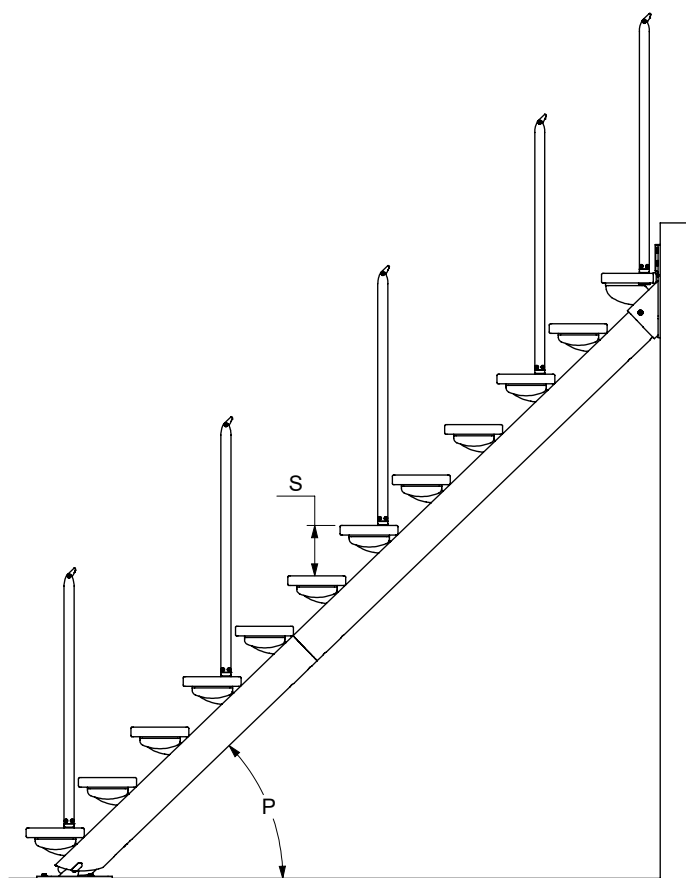
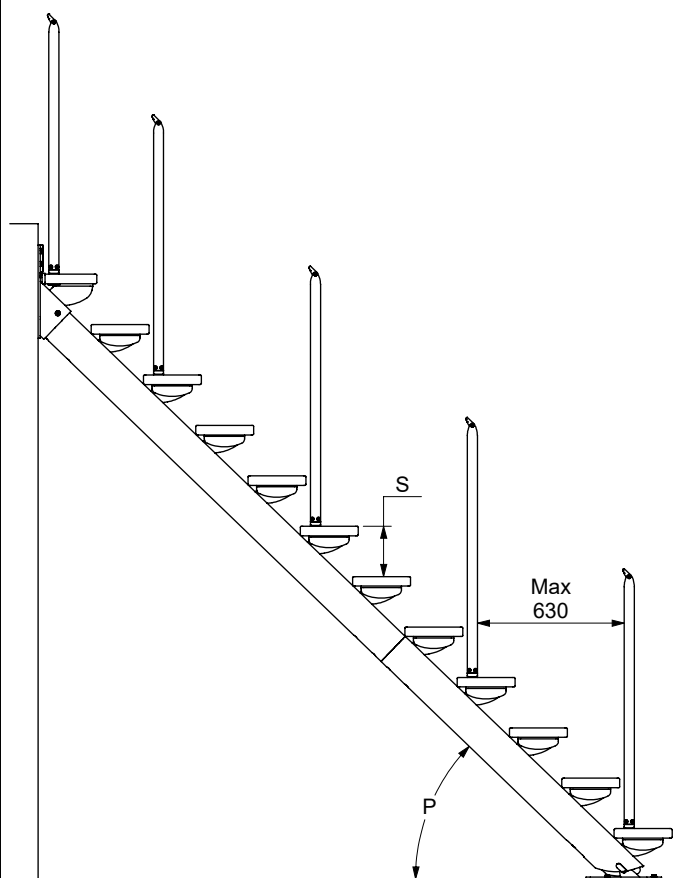


41



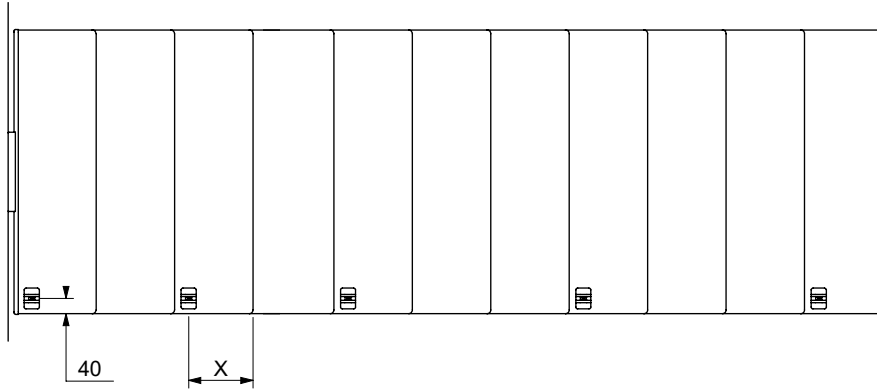
L

R

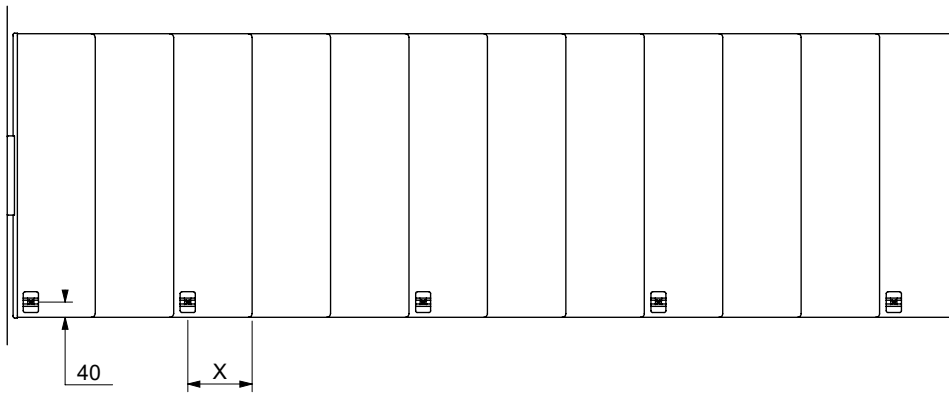


S	X
mm	mm
185	160
190	160
195	160
200	160
205	160
210	160
215	150
220	150
225	140

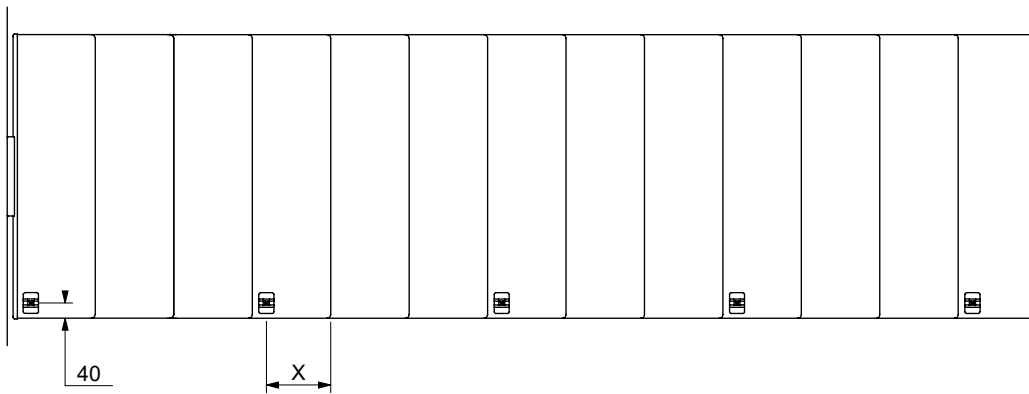
11T



12T

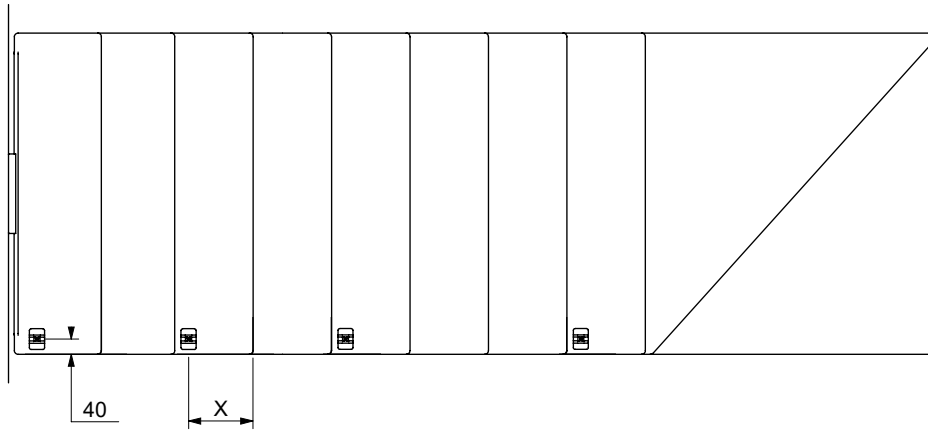


13T

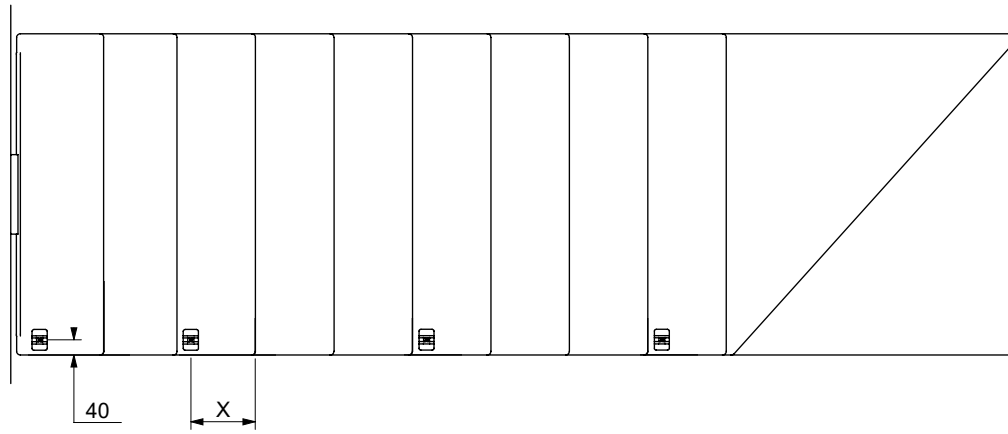


L

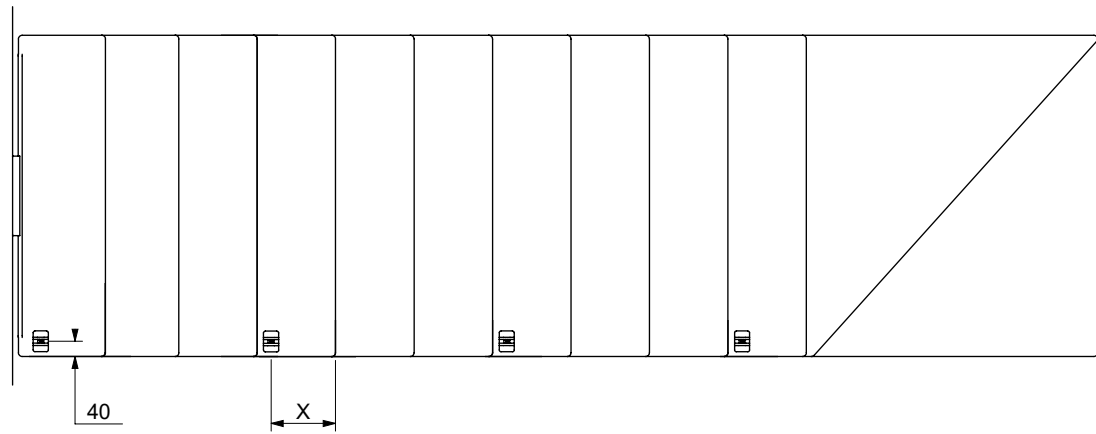
11T

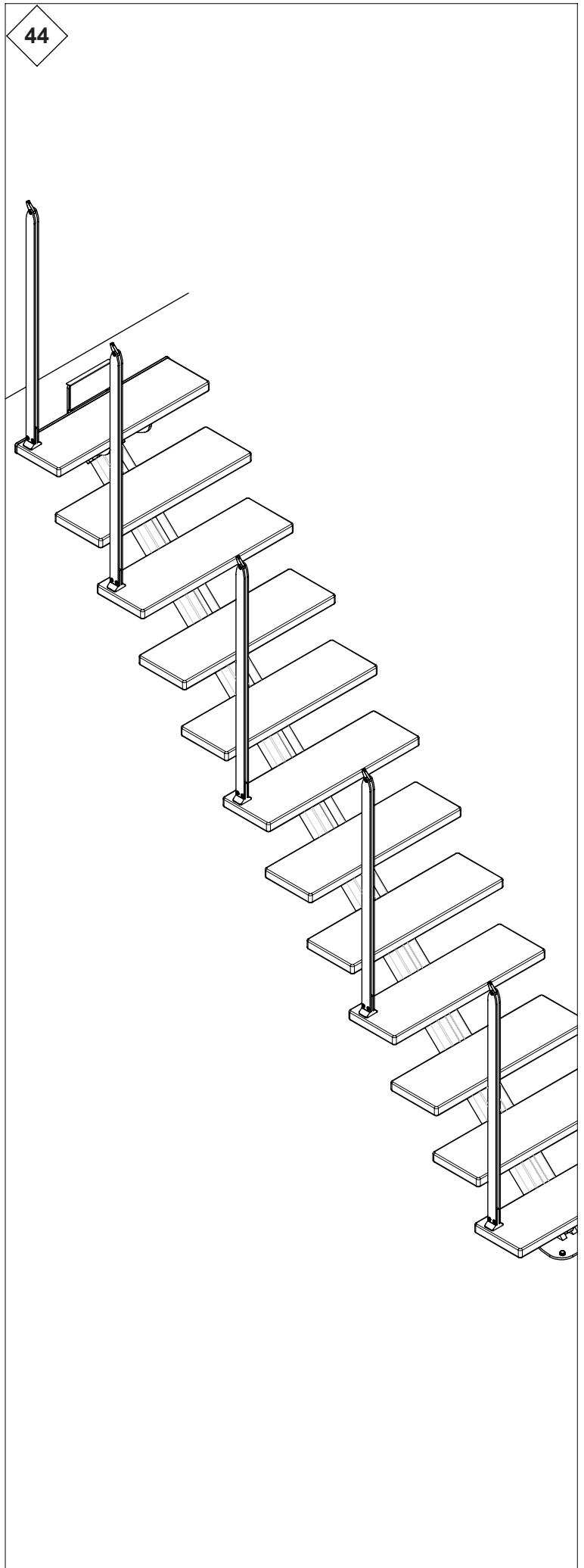
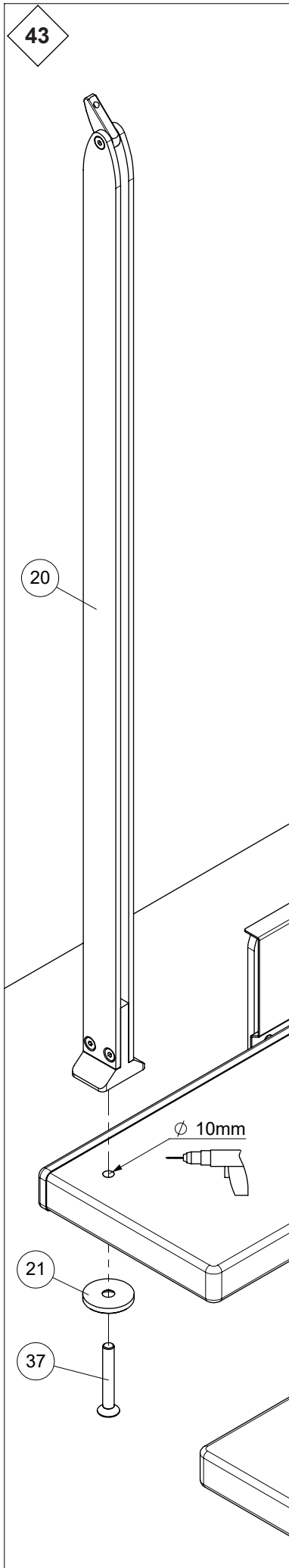
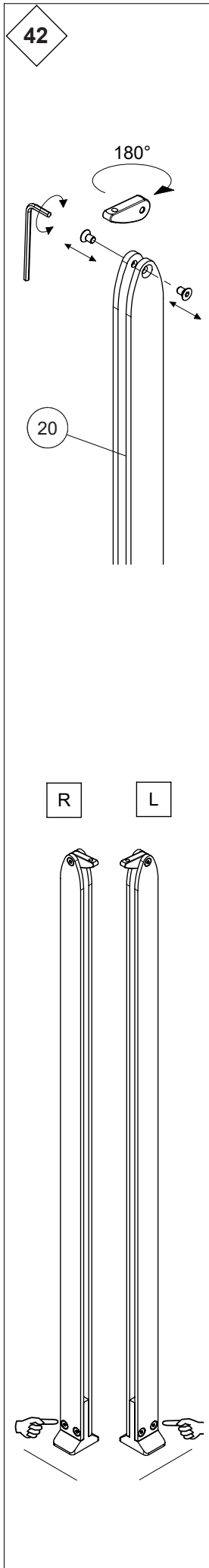


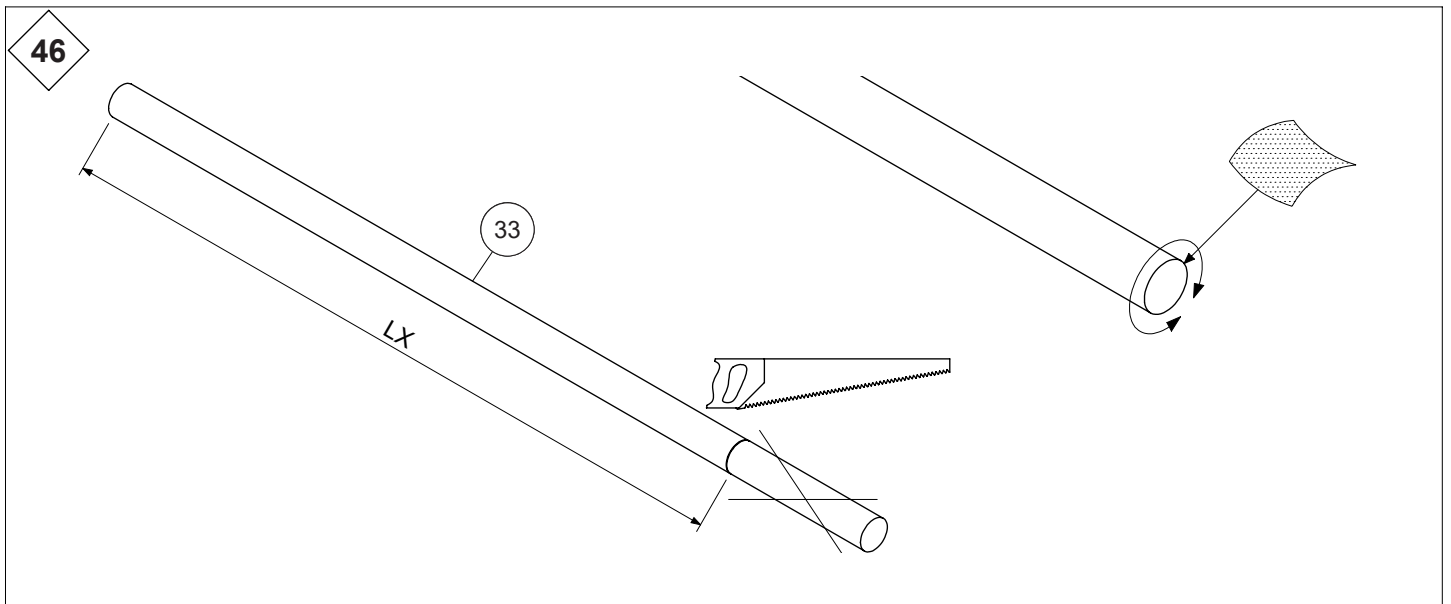
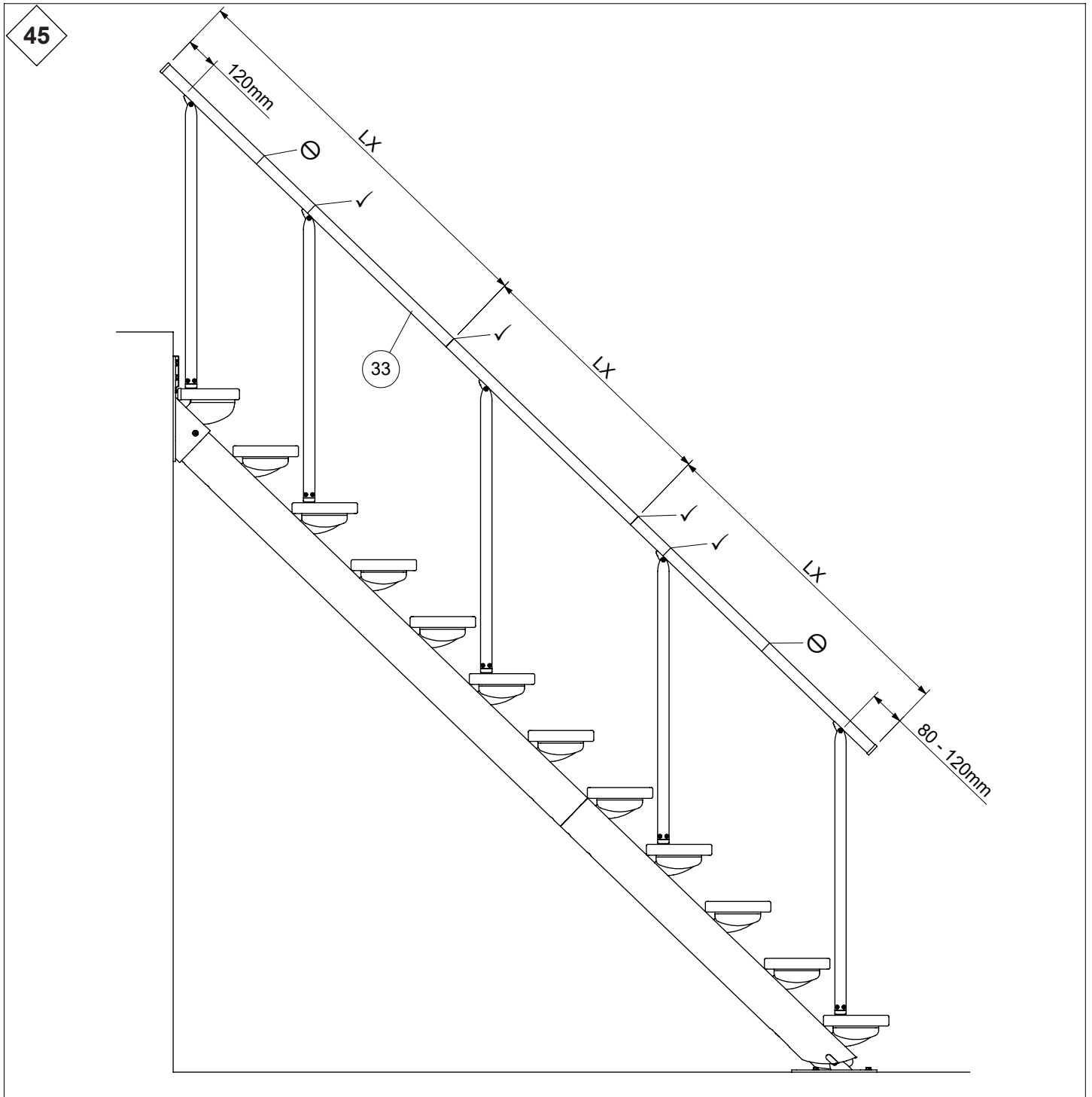
12T

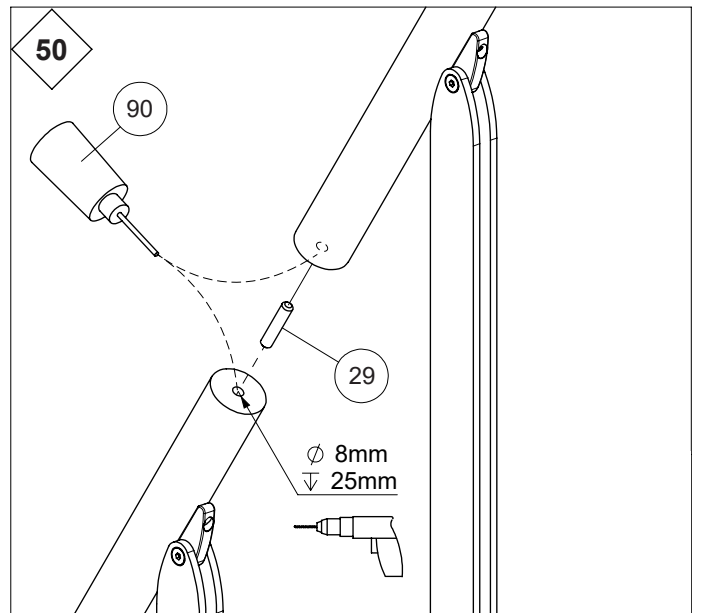
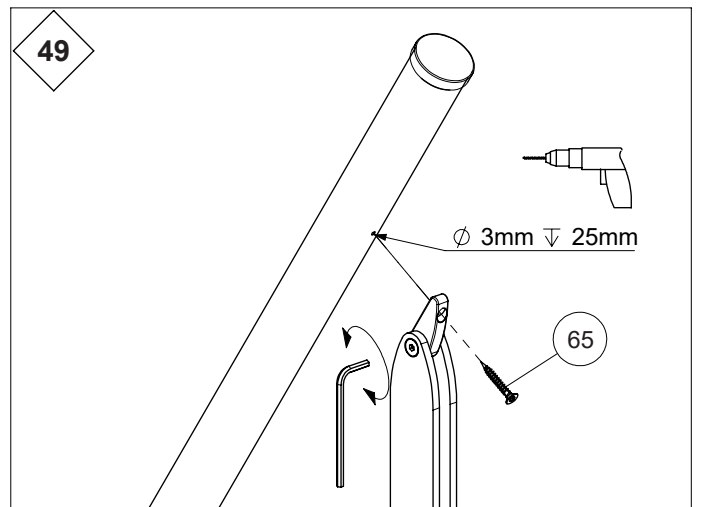
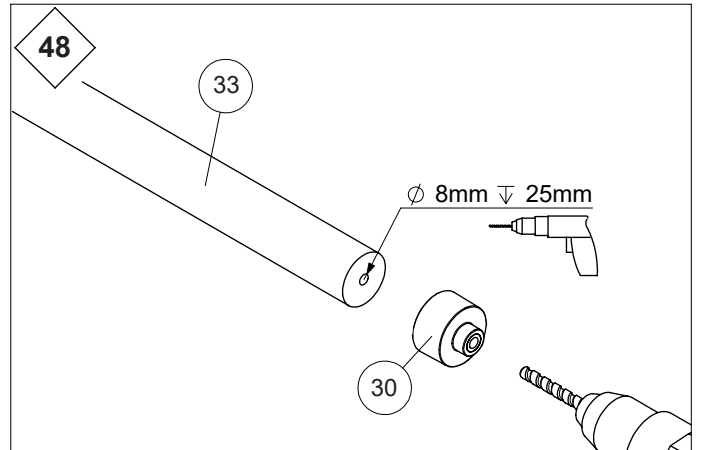
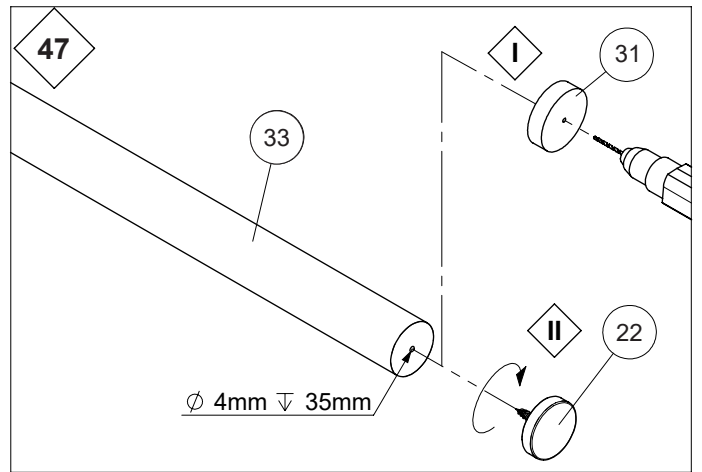
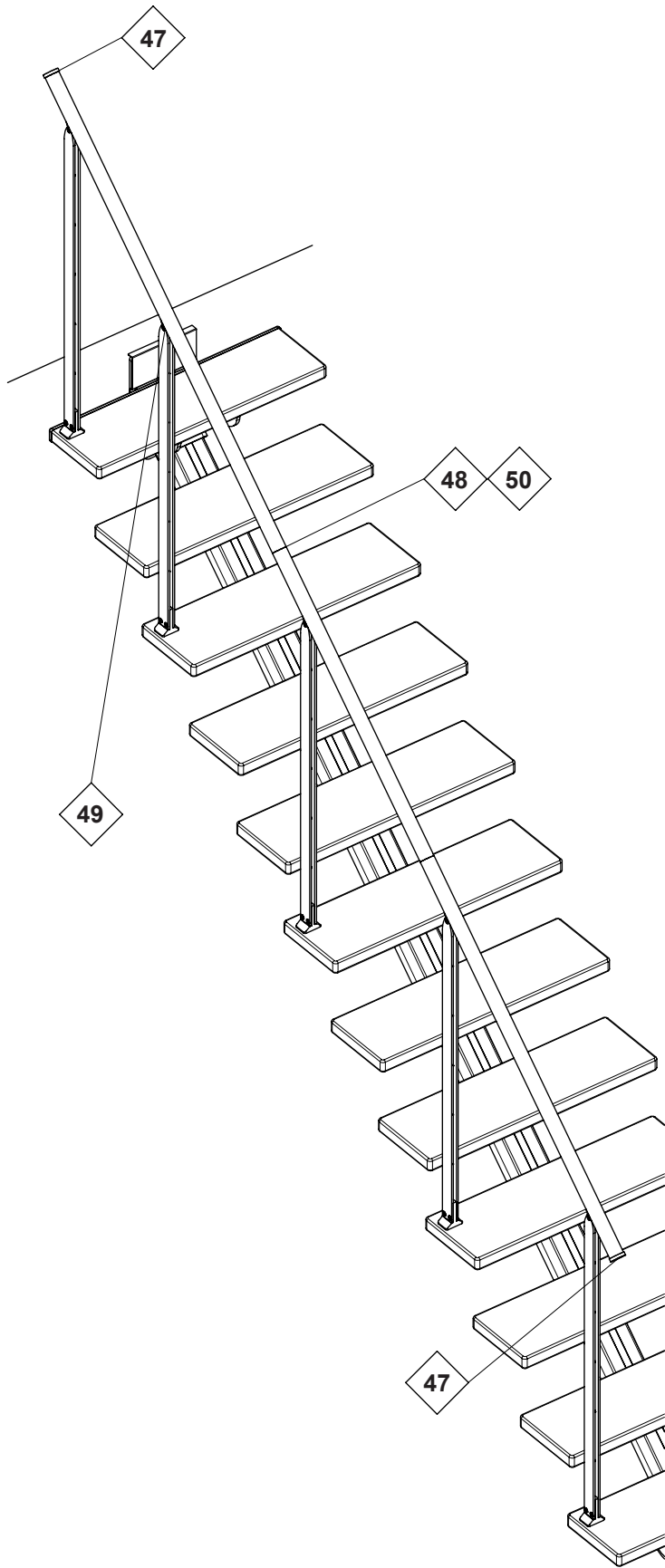


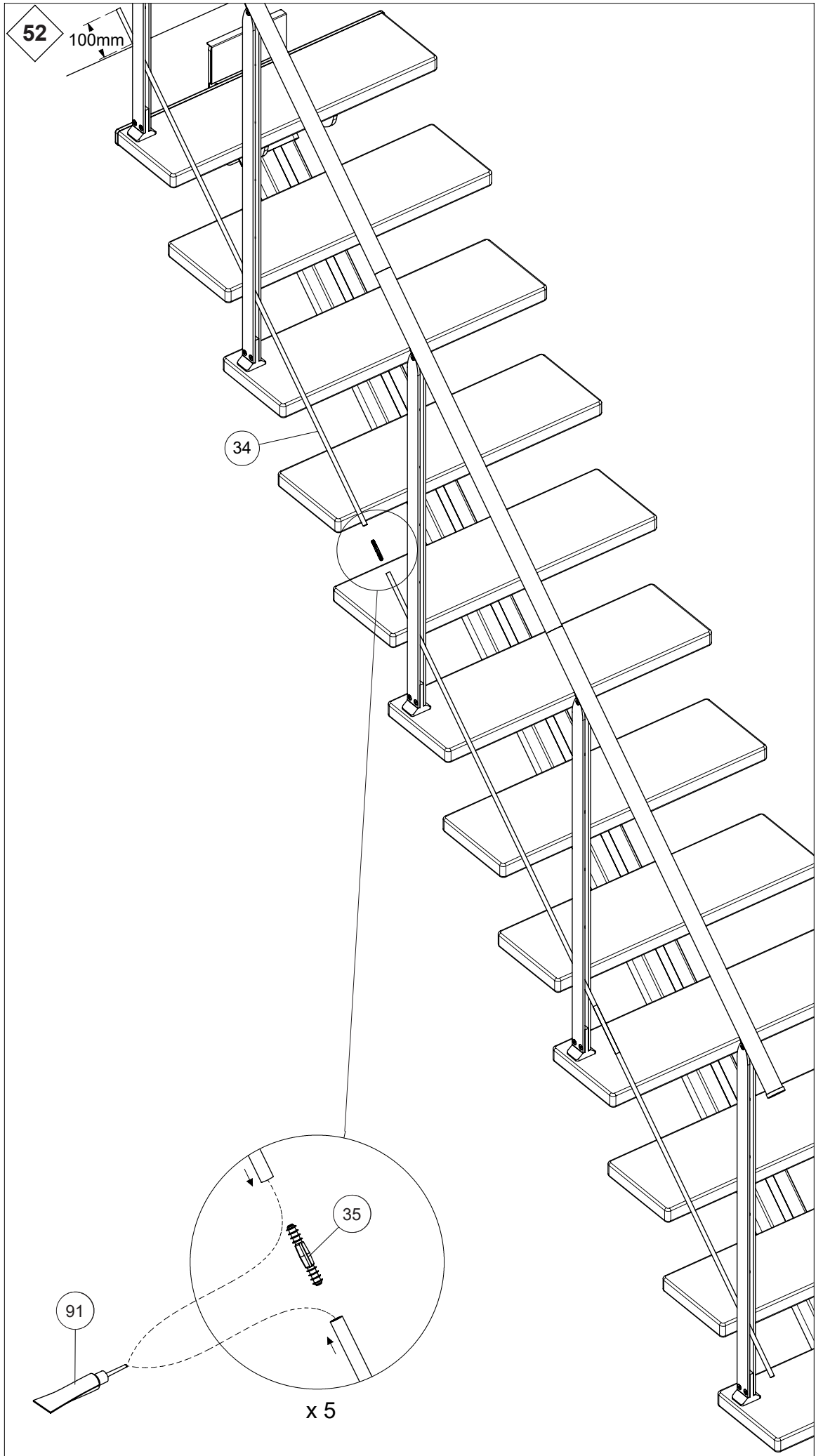
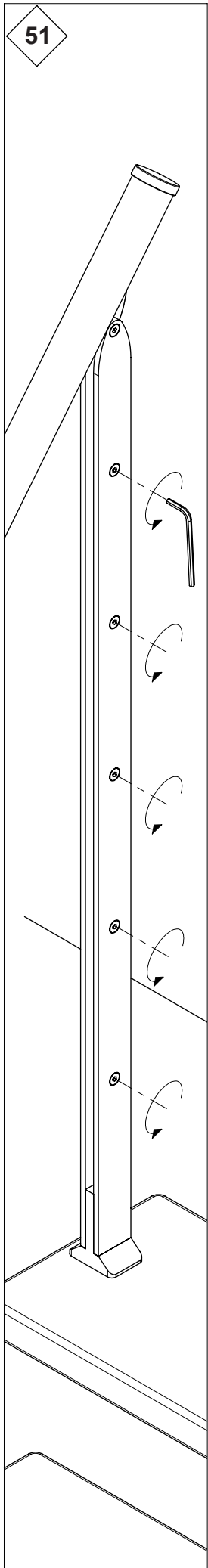
13T



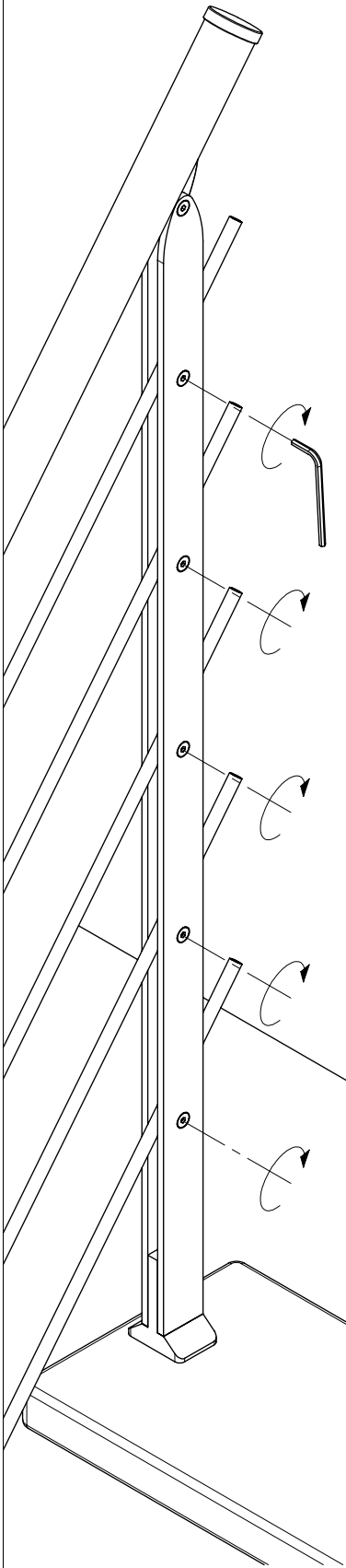




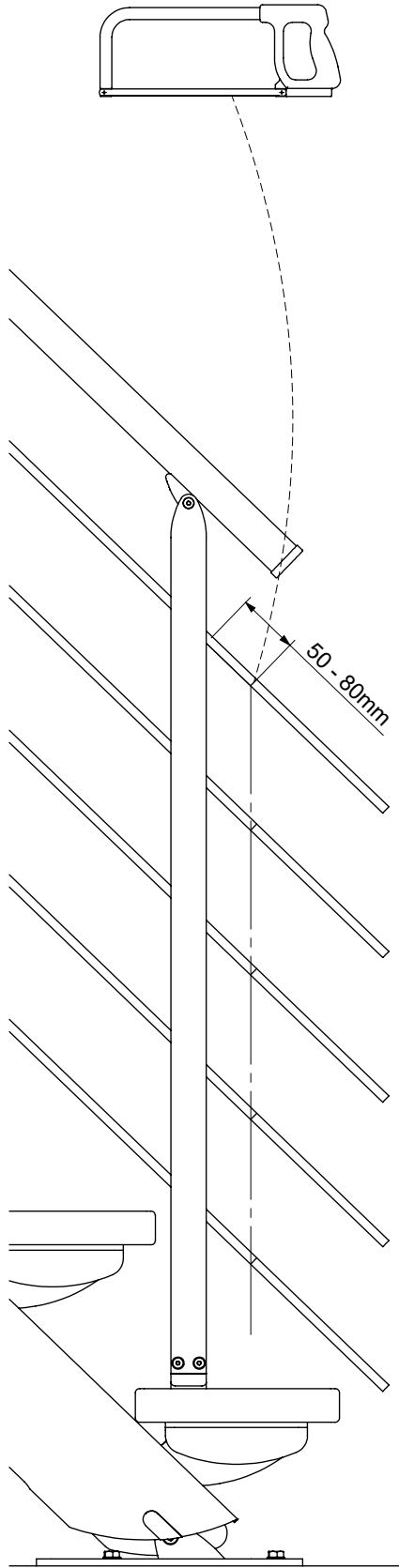




53



54



55

